

PRODUCT OPERATION MANUAL

Product Name: Vibratory Roller



THE TNN DEVELOPMENT LIMITED

Catalogue

I. Safety Instructions.....	3
II. Product Instructions.....	4
III. Operation Instructions.....	4
IV. Maintenance Instructions.....	5
V. Storage Instructions.....	5

I. Safety Instructions

Before using this equipment, operator must read and study the following content to have an understanding of this equipment. Before using, the operator should pay attention to the following content:

1. Carefully read the host operating instructions, familiar and understand performance of the host, and know how to operate it.
2. Understand all safety labels on the host and attachments, keep cleanness of label, don't literally of nostalgia, mobile and damage any security label, if there is a case of damage or illegible, it should be replaced immediately.
3. Keep attachment surface clean and no oil pollution phenomenon. If there is oil pollution, clean it up immediately.
4. Check hydraulic tube system before working.
5. Before using this attachment, check installation joints without loosening, rupture and slide, etc.

During Working:

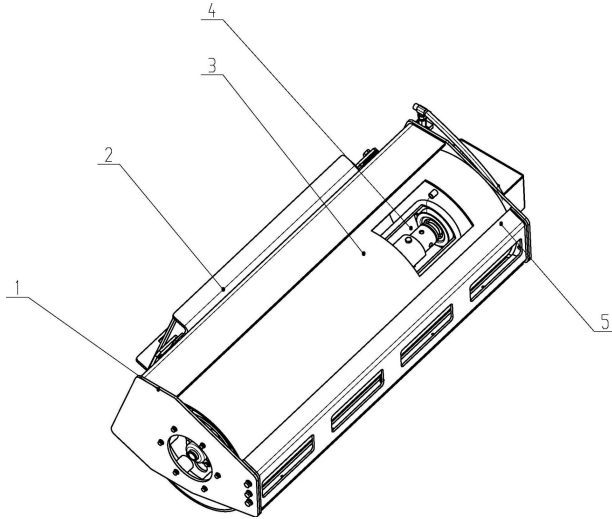
Check attachment carefully, do not use this attachment under any un-safety condition:

1. Check all connections are normal before using.
2. Check whether there is damage or decaying hydraulic tube or joint.
3. Operator should be familiar with attachment performance and use requirements.
4. Determine whether fittings installed before work
5. It strictly prohibited standing on the attachment no matter work or not work.
6. Operator should pay attention to prohibit the pedestrian in front of machine during working.
7. When operator leave work, please stop host engine and stop attachment.
8. It is strictly prohibited to no-load using this attachment, and prohibited to work at collapse road, bridge in danger and other un-safety roads.
9. Proper protection, avoid collisions, pollution, corrosion, etc.

II. Product Instructions

1. Product structure:

- (1) Frame (2) Hitch (3) Vibration Tube Assemble
(4) Independent Vibration Chamber (5) Front Board



2. Product specifications:

Item	Unit	66"	72"
Drum width	mm	1670	1855
Drum diameter	mm	600	600
Vibration force	kg	3540	3880
Vibration frequency	Vpm	2600	2600
Weight	kg	800	900
Length	mm	1848	2000
Width	mm	900	900
Height	mm	610	610

III. Operation Instructions

Connect attachment with host (eg. skid steer loader), then connect oil input tube and output tube on motor with host oil ports. Host oil supply to motor and drive motor rotating at a high speed. Due to vibration in the process of rotating shaft eccentric block, produce very big heart, so has a lot to the exciting force of vibration roller. Due to the excitation force is used to the ground, will put pressure on the ground, in order to achieve the effect of pavement compaction.

- Connect vibratory roller with host by a hitch frame and connect hydraulic tubes onto host oil port;
- Start host, host oil supply to motor, then move forward.
- In the process of driving, if it has uneven or cant ground, vibratory roller will automatically deflection left or right (the deflection Angle is 15 degrees), that will makes attachment in balance position.

- d) After work, put down and flat the attachment.

IV. Maintenance Instructions

1. Thoroughly clean soil, dirt and grease on product surface;
2. Check all bolt, nut and screw, tighten all loose bolt, nut and screw;
3. Check attachment hydraulic system to see whether there is a leaking phenomenon, it should change leaking tube connectors or tubers in time;
4. Replace damaged or vague security label;
5. If the paint is off or damage, please timely touch-up to prevent rust;
6. This product is oil lubrication, it needs to check oil level. Through circular oil leveler to check oil quantity(two oil levelers on same level and perpendicular to horizontal plane, oil should at 70% of oil leveler), if oil quantity is not enough, filling through oil filler, but not higher than oil leveler.
7. When changing oil, put oil filler at bottom position and remove plug.

V. Storage Instructions

1. Separate attachment and host (host hitch separate from attachment hitch、 put hydraulic tubes down from host), placed in a designated place (such as warehouse, workshop etc.) ;
2. The end of hydraulic tubes be packaged by plastic papers.
3. Attachment should be stored in a dry and non-corrosive environment , in order to avoid attachment surface from rust;
4. To do regular maintenance and servicing on attachments.