

# SHELTER

## ASSEMBLY MANUAL

Model-203216DP

Size: W6.1x9.76xH4.88m



## **SPECIFICATION**

203216DP

Length: 9.76m

Width: 6.1m

Height: 4.88m

Door size:W3.66\*H3.66m

## **IMPORTANT-----READ MANUAL FIRST**

Improper site preparation, assembly and maintenance may invalidate warranty and cause unnecessary and costly mistakes. If you have any questions contact your local dealer.

For User Friendly assembly we have identified each individual component with the part code as indicated in the parts list. Please refer to the part code numbers and drawing to ensure problem free assembly.

It's necessary to tighten the roof fabric enough to avoid "hammocks" on the roof and also re-tighten once or twice again after a few months of use. This is important when assembly in cold weather (autumn and winter) because the fabric is stiff then and when we got the sun and warm weather afterwards it will make the fabric " slack " again and need to be re-tighten before next winter.

It's **the owners responsibility** to take of snow immediately if not slide of by itself.

## **READ ALL INSTRUCTIONS BEFORE ASSEMBLY**

1. Keep work area clean. Cluttered areas invite injuries. Do not set up near snow drifts, in slippery places, in high winds, or wet location.
2. Keep children away. All children should be kept away from the work area. Be aware of personal safety. Be careful not to pinch fingers with clips and tubes when assembling: when using makes sure there is adequate ventilation for exhaust and other dangerous fumes.
3. Do not over reach. Keep proper footing and balance at all times.
4. Do not assemble if under the influence of alcohol or drugs. Read warning labels on prescription to determine if your judgment or reflexes are impaired while taking drugs. IF there is any doubt, do not assemble.
5. Be aware of possible windy conditions; fasten the base in concrete if these situations may occur. Remove the cover during hurricane.
6. Be careful with power and heat sources. Do not keep heat sources near the tarpaulin. Do not expose to open flame.
7. Be aware of personal safety during assembly and use .Be careful not to pinch fingers with clips and tubes when assembling when using makes sure there is adequate ventilation for exhaust and other dangerous fumes.

Parts List		
Part no.	Description	Qty
1	Roof bent tube	3
1A	Roof bent tube for front and back door	2
2	Sidewall bent tube	6
2A	Sidewall bent tube for front and back door	4
3	Shoulder bent tube	10
4	Standing leg	8
4A	Standing leg for front and back door	2
5	Purlin	20
6	Base Plate at middle	6
6L	Base Plate at left for corners	2
6R	Base Plate at right for corners	2
6A	Base Plate at left for mechanical door	2
6B	Base Plate at right for mechanical door	2
7	Expand screw	48
8	Lower standing leg at left for front and back door	2
8A	Lower standing leg at right for front and back door	2
9	Upper standing leg at left for front and back door	2
9A	Upper standing leg at right for front and back door	2
10	Door beam on both doors	4
10A	Vertical Supporting Tube for both doors	2
11	Purlin for both doors	4
12	Tube for assembling mechanical wheel on both door	2
12A	Winch wheel	2
13	Vertical pipe for front and back door	2 groups
14	Base tensioning tube for Roof cover	2 groups
15	Ø25mm Plastic cap	36
16	Tensioning tube for front and back doorØ32mm	4
17	Carriage bolt M8*60mm	120
18	Carriage bolt M8*80mm	25
19	Bolt 10*30mm	12
19A	Bolt 12*30mm	20
20	Bolt 10*90mm	56
21	Ratchet	10
22	Nylon Band for Ratchet	10
23	Rope	1 bundle
24	Roof cover	1
25	Front and back door cover	2
26	Clip	8
27	Steel wire	4
28	Side splint	8
29	PVC tube	2 groups
30	Small Ratchet with band	16pcs

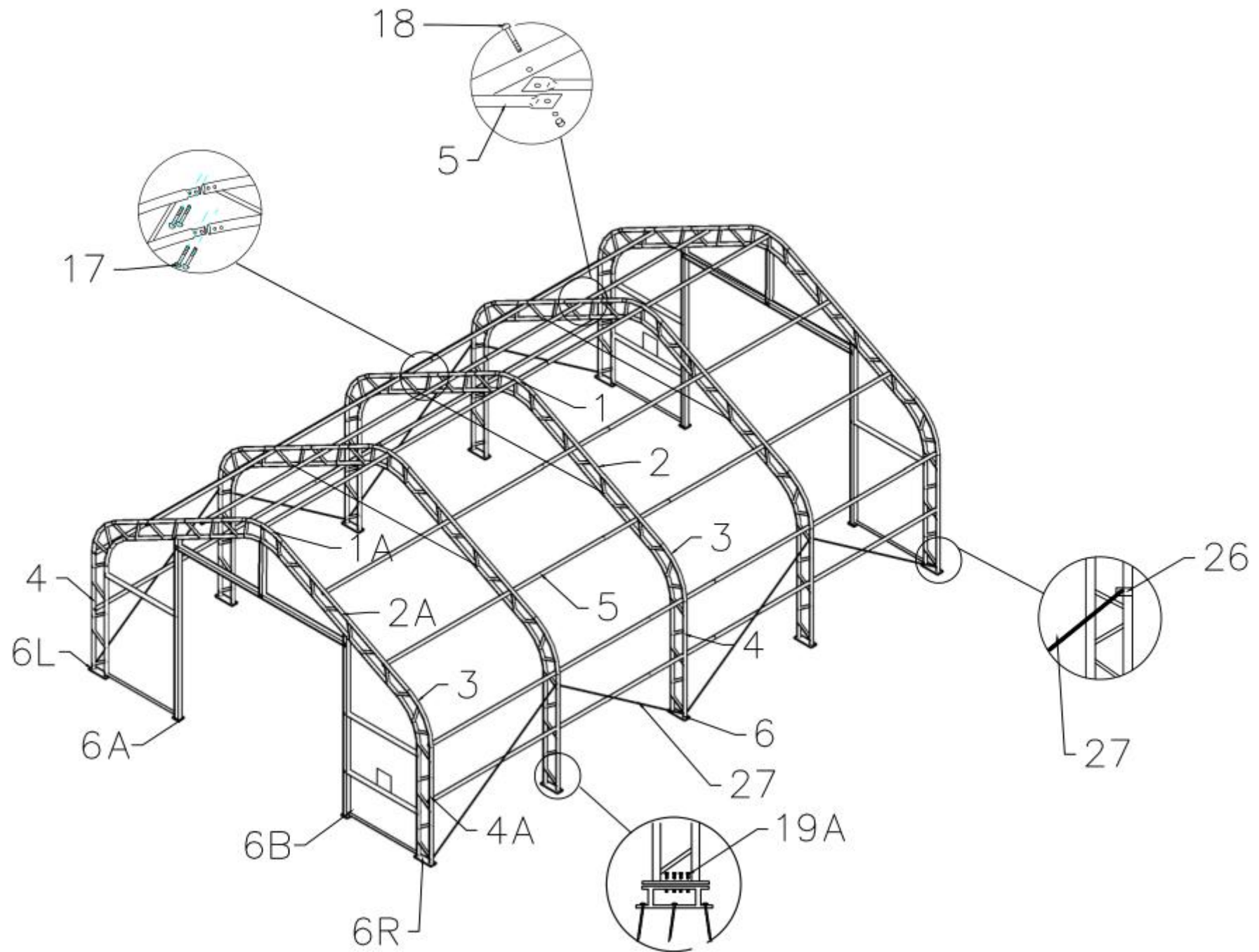


Figure 1: Frame Sketch

## EQUIPMENT AND TOOLS FOR INSTALLATION

- |                   |                            |
|-------------------|----------------------------|
| 1. Measuring Tape | 2. String for alignment    |
| 3. Stake          | 4. Ladder or Scissors Lift |
| 5. Sledge Hammer  | 6. Drill                   |
| 7. Wrench         | 8. Knife                   |
| 9. Hoist          |                            |

## INSTALLATION PROCESS

### A----BASE INSTALLATION

Please refer to the diagram (Figure 2) to place the base plates:

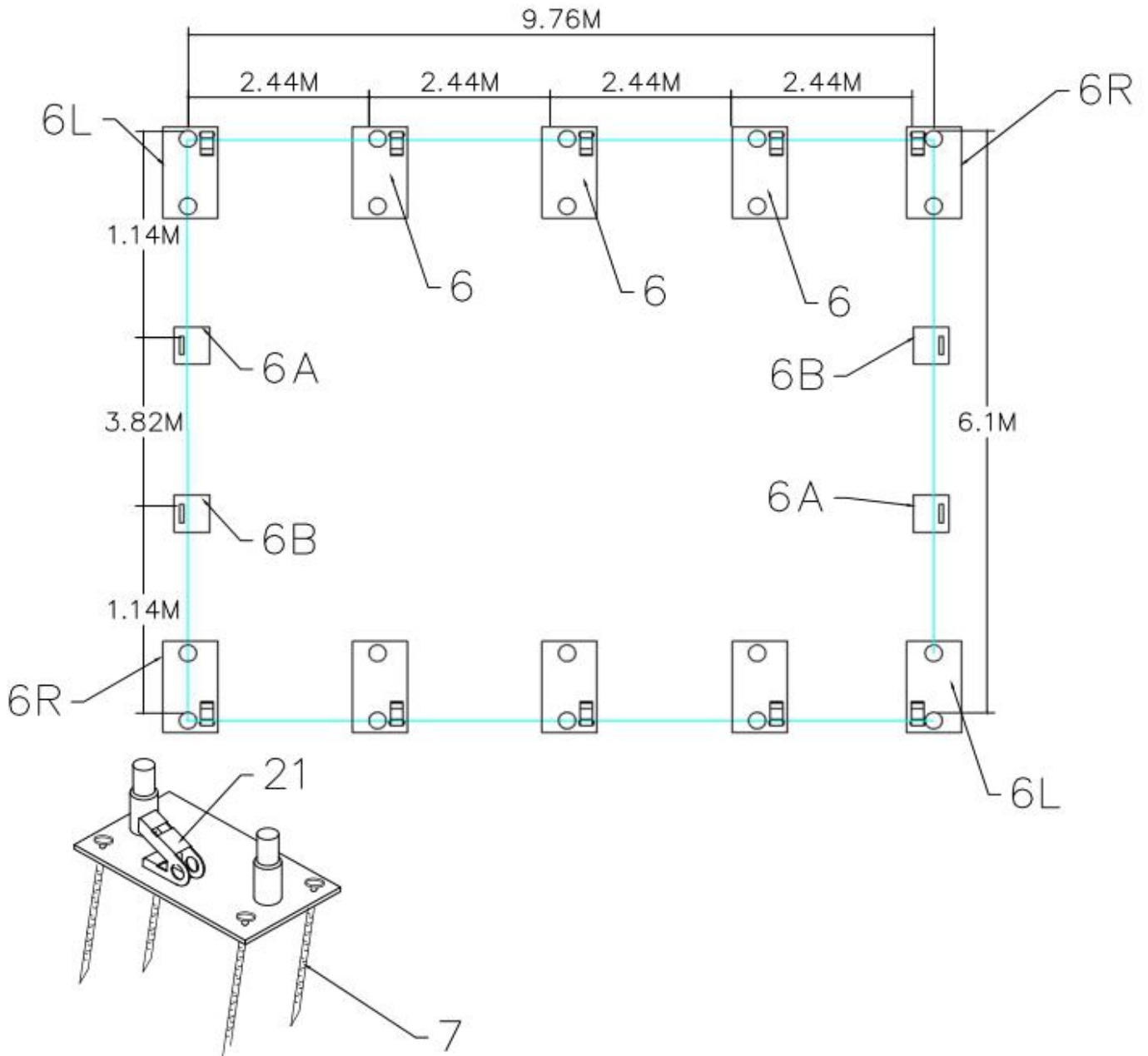


Figure 2 Base Plate

The measurement is from center to center of tubes on the base plates. Referring to the above diagram and confirm the place of base plates. There are four holes on the plates for expand screw.

## B---FRAME INSTALLATION

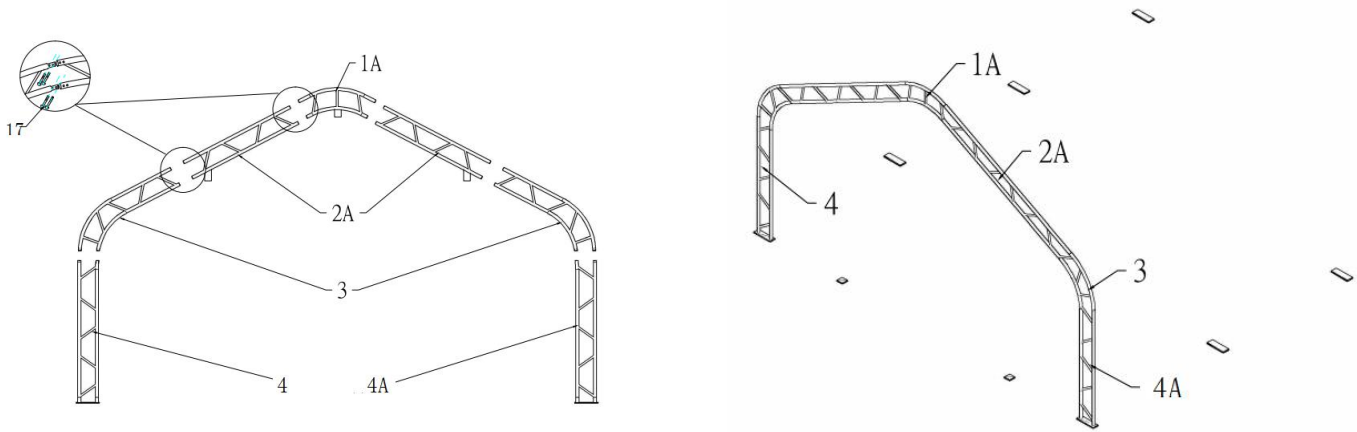


Figure 3

1. Figure 4 shows to connect the Roof bent tube for front and back door (No.1A), Sidewall bent tube for front and back door (No.2A), Shoulder bent tube (No.3), Standing leg (No.4) and Standing leg for front door and back door (No.4A) with Carriage bolt M8\*60 (No.17), then put the arch into tube of the Base plate by using the bolt 12\*30 (No.19A) by hoist (see Figure 3)

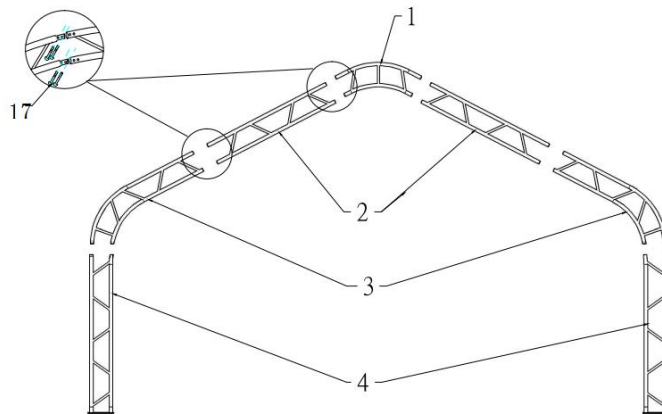


Figure 4

2. Figure 4 shows to connect the Roof bent tube (No.1), Sidewall bent tube (No.2), Shoulder bent tube (No.3), and Standing leg (No.4) with Carriage bolt M8\*60 (No.17), then put the arch into tube of the Base plate by using the bolt 12\*30 (No.19A) by hoist, and assemble every group arch by turns (see Figure 1)

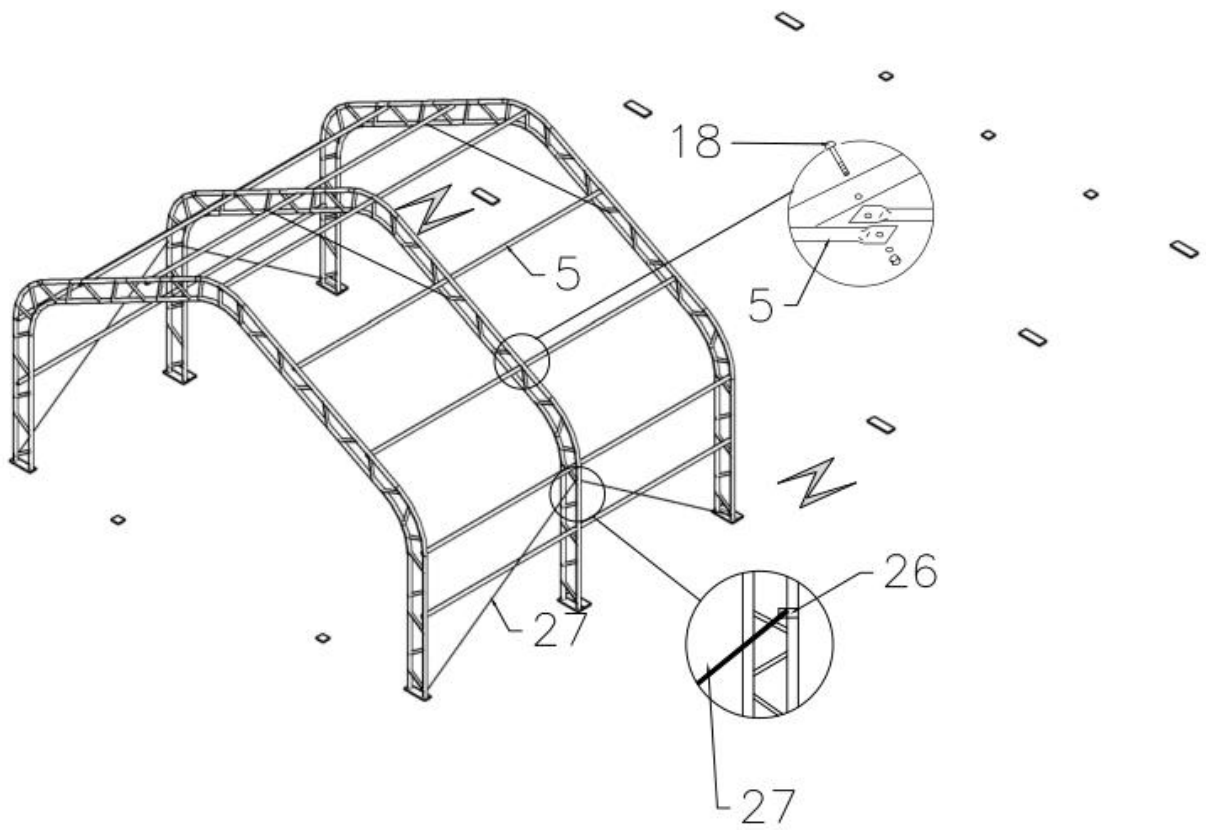


Figure 5

3.Connect Purlin(No.5) to arch by using Carriage bolt M8\*80mm (No.18) by turns(see Figure 5),then connect the Steel wire(No.27) on top and side by using Clip(No.26) (see Figure 5).

**D--- INSTALLING FRONT AND BACK COVER**

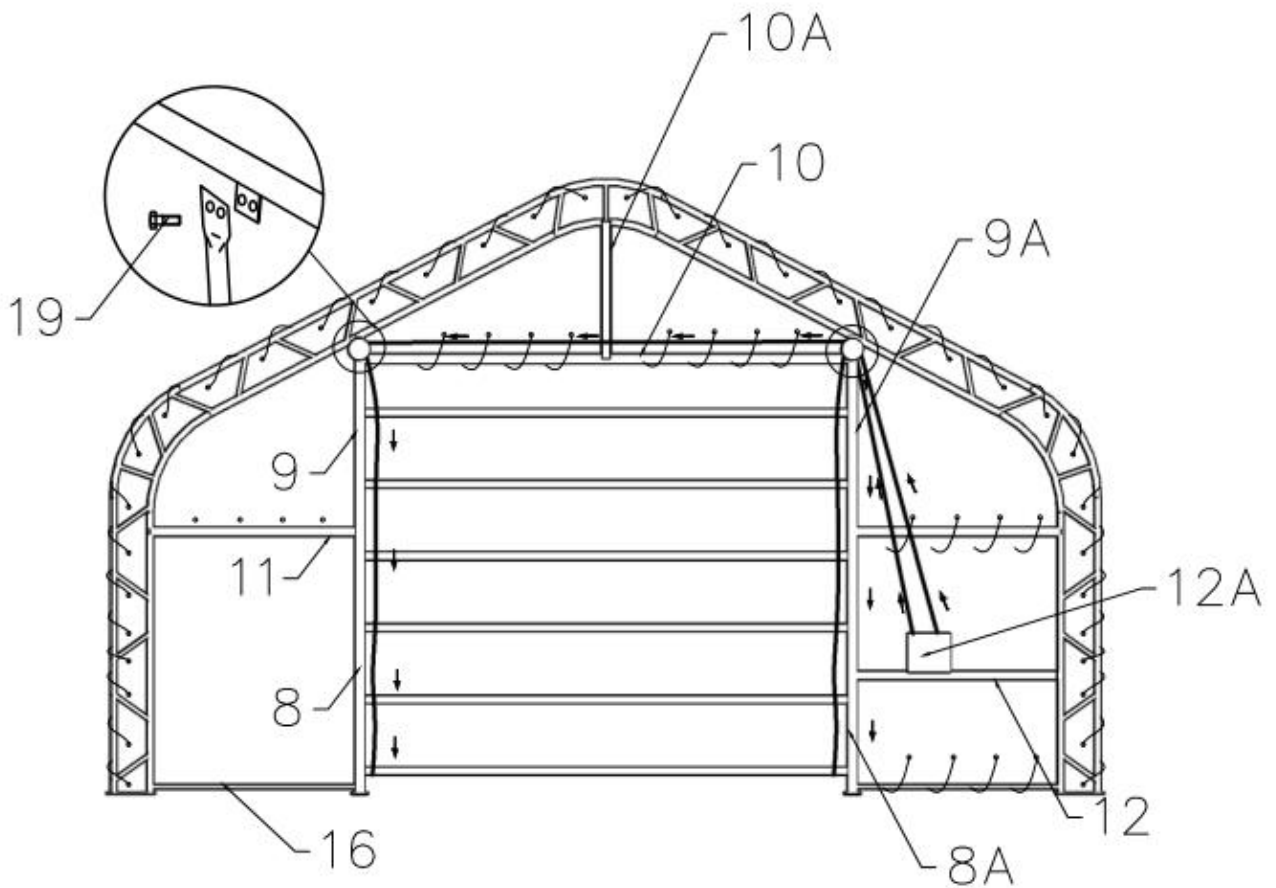


Figure 6: Front and Back door

1. Figure 6 shows to assembly the door frame according to Figure 6.

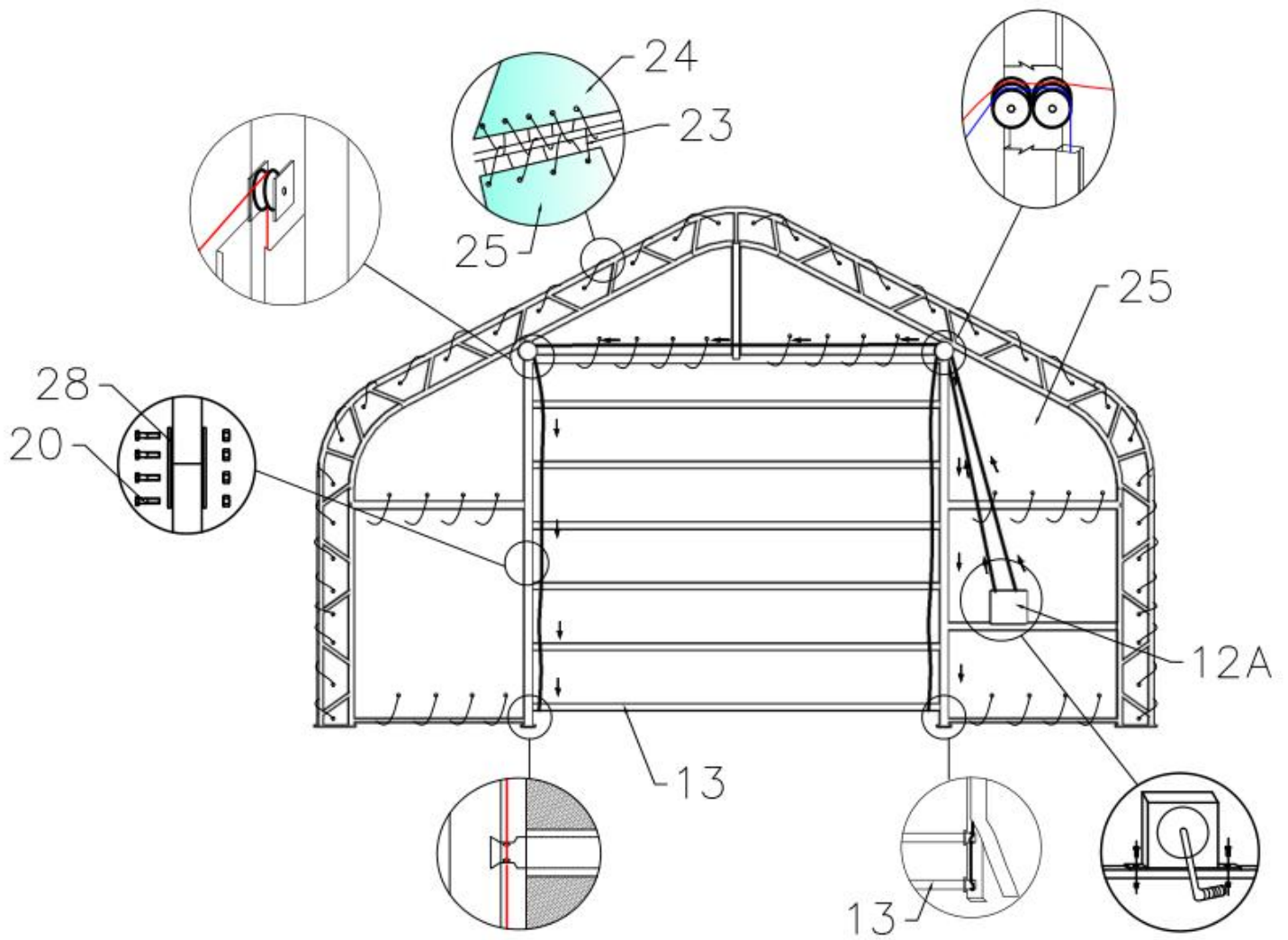


Figure 7: Front and Back Cover

2. Insert the vertical pipe into front and back door through the pockets on covers, assembly the Mechanical wheel, tidy the front door and back door covers by using Rope(No.23), **make the cover well fold to the frame first and then tension the cover.**

### E--- INSTALLING THE ROOF COVER

**NOTE: Do not install the cover onto the frame of your building in high wind conditions.**



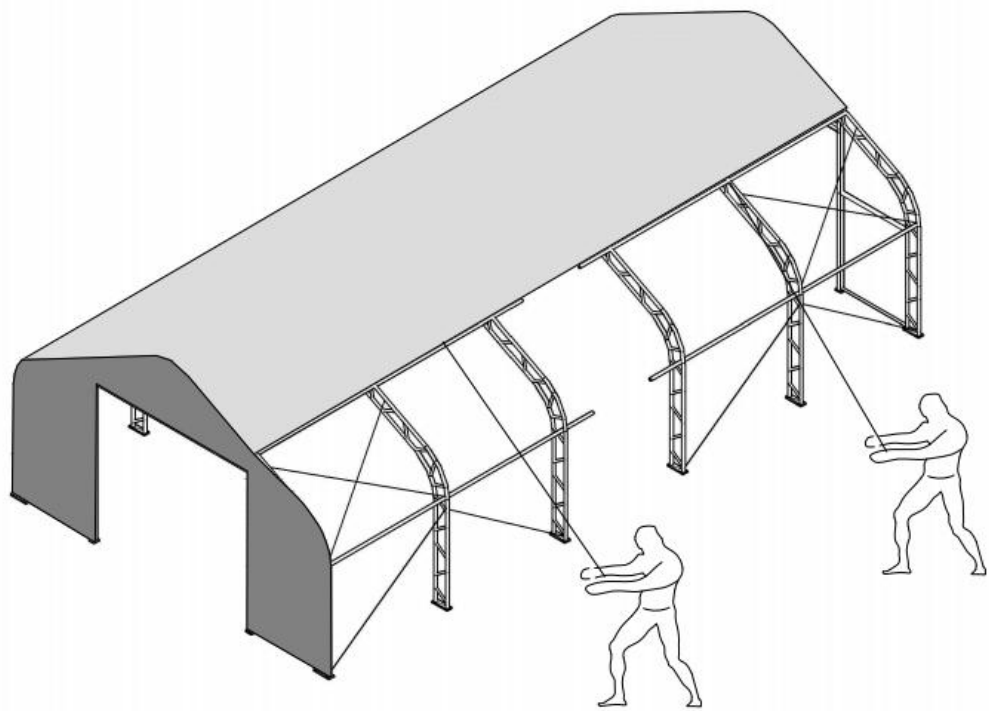
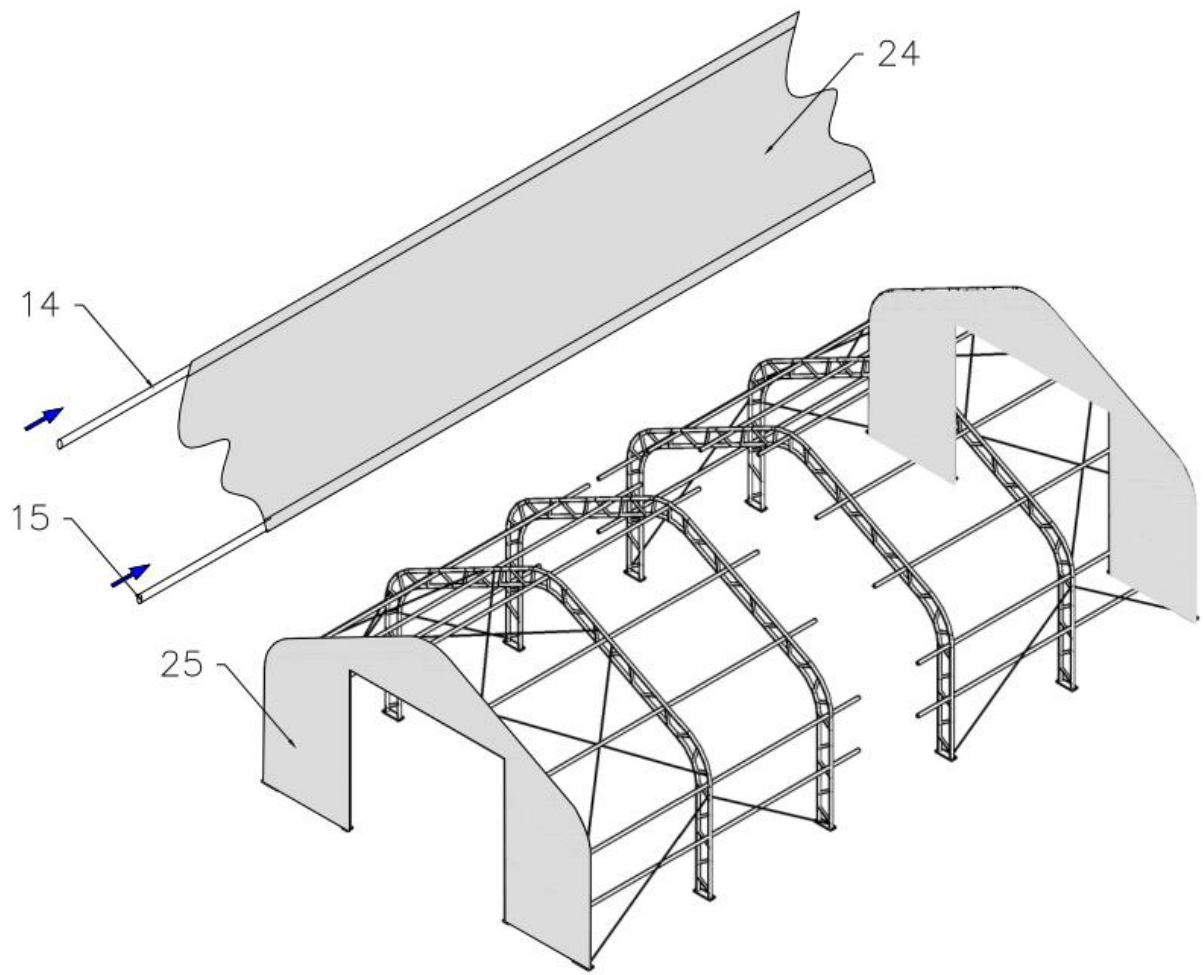


Figure 8

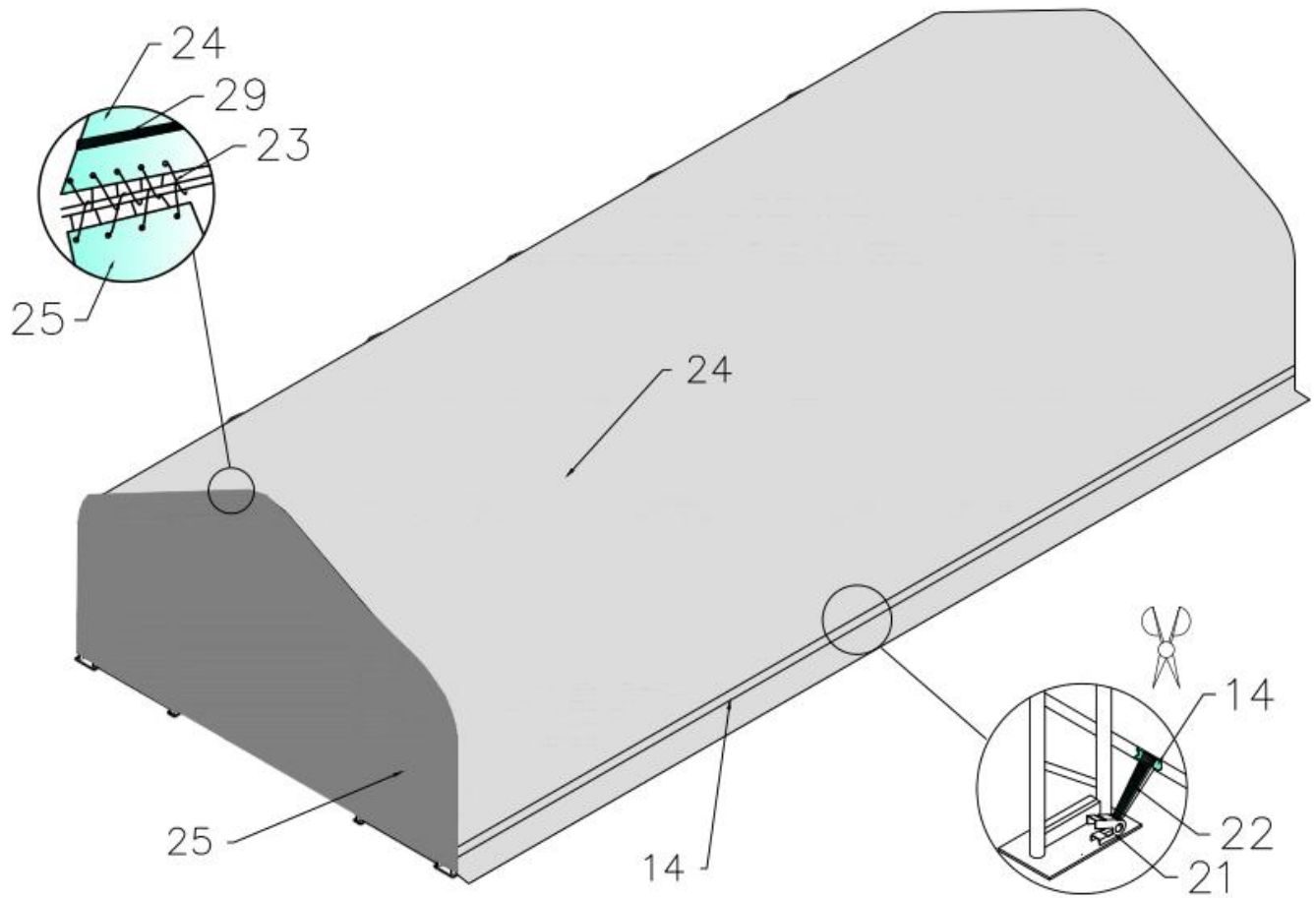


Figure 9

1. When Roof cover is over top of Frame assembly (see Figure 8&9), insert Tensioning tubes (No.14) into pockets along both sides of Roof cover, cut opening for Nylon band for ratchet, find the Nylon band over tube feed end into tie down to ratchet (No.21).
2. The roof cover is tensioned from front to back by the rope lacing to grommet flaps inside the main cover, inside the unit at both front and rear arches. Using the rope provided, lace the main cover grommet flap around the main frame front and rear arch pieces. Start in the top middle of each arch, and lace to each side. Add rope length by tying pieces together or cutting as necessary.

**CONGRATULATIONS: NOW YOUR ASSEMBLY IS COMPLETED.**