

SHELTER

ASSEMBLY MANUAL

Model-304020P/W9.15xL12.2mxH6.1m

Model-306020P/W9.15xL18.3mxH6.1m

Model-308020P/W9.15xL24.4mxH6.1m



Parts List

Part Code	Description	304020DP	306020DP	308020DP
1	Roof bent tube	3sets	5sets	7 sets
1A	Roof bent tube for front and back door	2sets	2sets	2 sets
2	Sidewall bent tube	6sets	10sets	14 sets
2A	Sidewall bent tube for front and back door	4sets	4sets	4 sets
3	Shoulder bent tube	10sets	14sets	18 sets
4	Standing leg	8sets	12sets	16 sets
4A	Standing leg for front door	2sets	2sets	2 sets
5	Purlin	36	54	72
6	Ratchet	14sets	18sets	22sets
6L	Base Plate at left corner	2	2	2
6R	Base Plate at right corner	2	2	2
7	Base Plate at middle	6	10	14
8	Base Plate for Mechanical door	4	4	4
9	The door splint	8	8	8
10L	Lower Portal at left for front and back door	2	2	2
10R	Lower Portal at right for front and back door	2	2	2
11L	Upper Portal at left for front and back door	2	2	2
11R	Upper Portal at right for front and back door	2	2	2
12	Door beam on both doors	4	4	4
12A	Vertical support tube for door beam	2	2	2
13	Shoulder purlin for both door	4	4	4
14	Tube for No.14A	2	2	2
14A	Mechanical wheel	2	2	2
15	Steel wire for Mechanical door	2	2	2
16	Tensioning tube for front and back door	4	4	4
17	Steel wire at side face	8	12	16
18	Steel wire on top	12	12	12
19	Clip for both doors and steel wire	28	28	28
19A	Angle iron	4	6	8
20	Vertical pipe for front and back door	14 sets	14 sets	14 sets
21	Base tensioning tube for Roof cover	2 sets	2 sets	2 sets
22	Bolt 8*60mm	160	224	290
23	Bolt 10*70mm	45	63	81
24	Bolt 10*90mm	48	48	48

25	Bolt 10*30mm	4sets	4sets	8 sets
25A	Bolt 10*60mm	8	8	8
26	Nylon Band for Ratchet	10	14	18
27	Ropes	1bundle	1bundle	1 bundle
28	Plastic cap	12	12	12
29	Stake peg	48	64	80
30	Front and back door cover	2	2	2
31	Front and back door cover at side face	2	2	2
32	Roof cover	1	1	1

SPECIFICATION

W30' x L40'xH20'/ W30' x L60'xH20'/ W30' x L80'xH20'

Width: 9.15m Length: 12.2m/18.3m/24.4m Height: 6.1m

IMPORTANT-----READ MANUAL FIRST

Improper site preparation, Assembly and Maintenance may invalidate warranty and cause unnecessary and costly mistake. If you have any questions contact your local dealer.

For User Friendly assembly we have identified each individual component with the part code as indicated in the parts list. Please refer to the part code numbers and drawing to ensure problem free assembly.

It's necessary to tighten the roof fabric enough to avoid "hammocks" on the roof and also re-tighten once or twice again after a few months of use. This is important when assembly in cold weather (autumn and winter) because the fabric is stiff then and when we got the sun and warm weather afterwards it will make the fabric "slack" again and need to be re-tighten before next winter.

It's the owners responsibility to take of snow immediately if not slide off by itself.

READ ALL INSTRUCTIONS BEFORE ASSEMBLY

1. Keep work area clean. Cluttered areas invite injuries. Do not set up near snow drifts, in slippery places, in high winds, or wet location.
2. Keep children away. All children should be kept away from the work area.
3. Don't over reach. Keep proper footing and balance at all times.
4. Do not assemble in under the influence of alcohol or drugs. Read warning labels on prescriptions to determine if your judgment or reflexes are impaired while taking drugs. If there is any doubt, do not assemble.
5. Be aware of possible windy conditions; fasten the bases in concrete if these conditions are likely to occur. Remove the cover during hurricane.
6. Be careful with power and heat sources. Do not keep heat sources near the tarpaulin. Do not expose to open flame.
7. Be aware of personal safety during assembly and use. Be careful not to pinch fingers with clips and tubes when assembling: when using makes sure there is adequate ventilation for exhaust and other dangerous fumes.

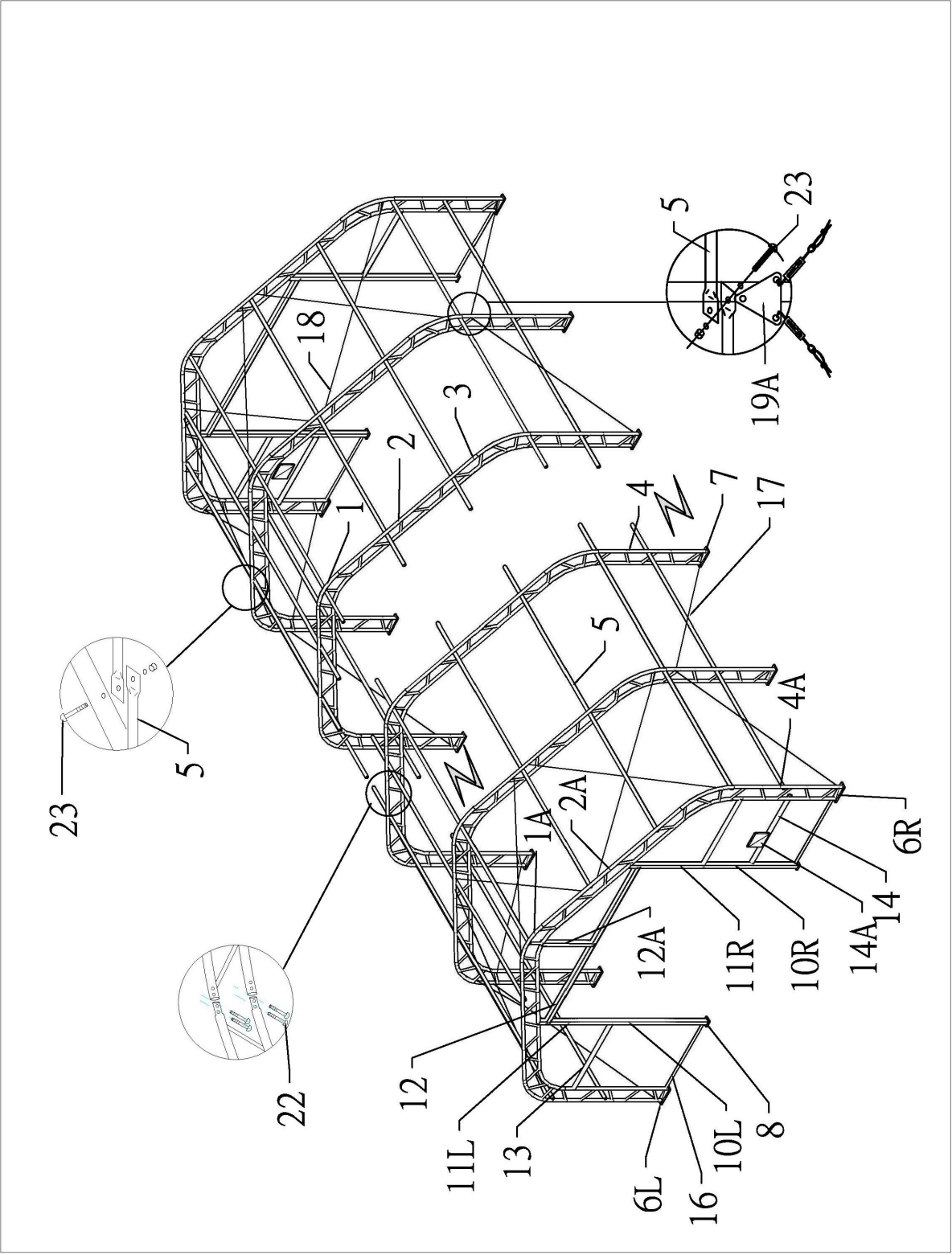


Figure 1:Frame Sketch

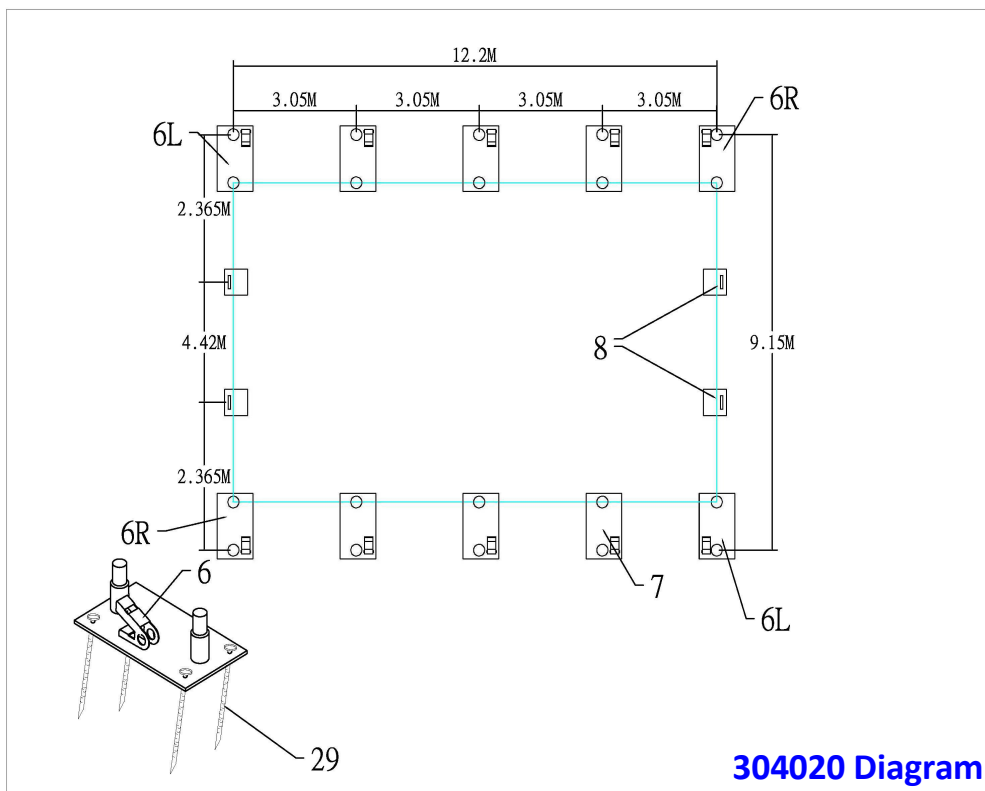
EQUIPEMNT AND TOOLS FOR INSTALIAATION

1. Measuring tape
2. String for alignment
3. Step ladder
4. Welder
5. Sledge hammer
6. Wrench
7. Scissors

INSTALLATION PROCESS A—

BASE INSTALLATION

Please refer to the diagram (Figure 2) to place the baseplates.



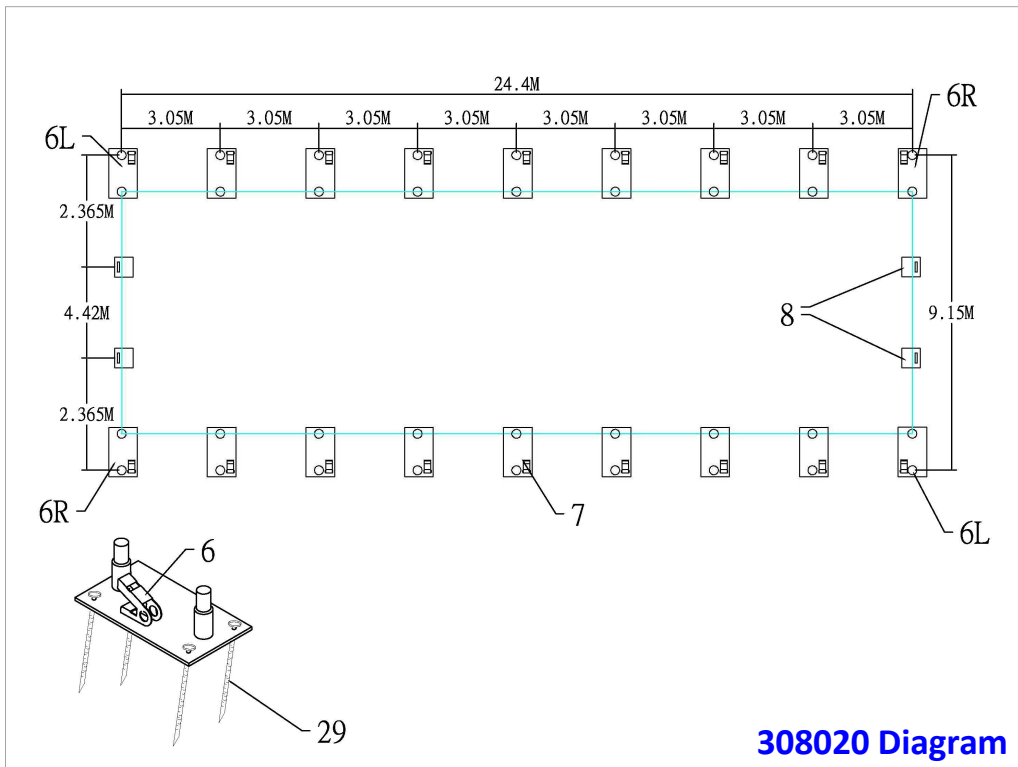
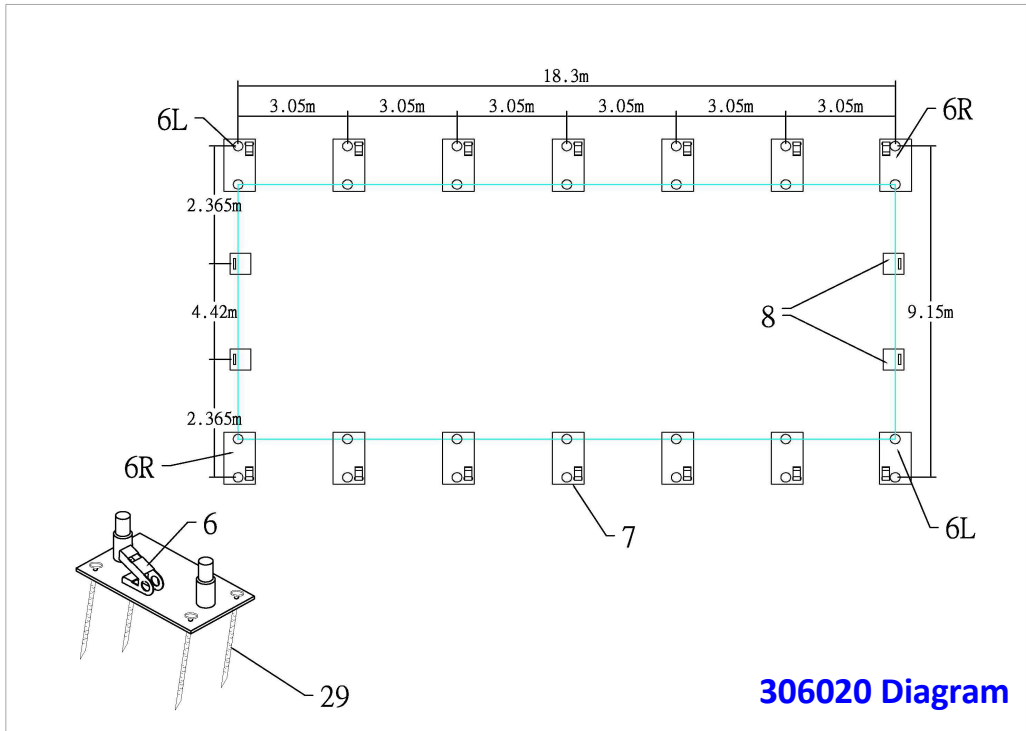


Figure 2: Foundation placement

1. The measurement is from center to center of the tubes. Referring to the above diagram and
 2. confirm the place of the base plates. ENSURE THAT THE FOUNDATIONS IS SQUARE.
 3. As Figure 2 shows each Base plate is equipped with 4 pieces of Stake peg.
- Mark the stake peg hold through the base plate by using the stake peg. Move the baseplates away and the mark determines where the stake peg will be.
- Note:** The stake peg apply for normal conditions, not suitable to the rock ground, frozen soil and concrete ground.

B---FRAME INSTALLATION

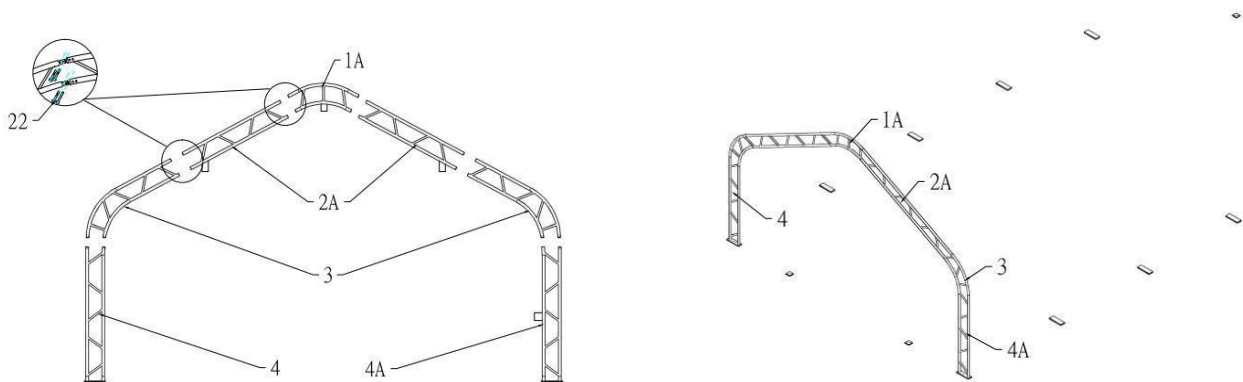


Figure 3

1. Figure 3 shows to connect the Roof bent tube for front and back door (No.1A), Sidewall bent tube for front and back door (No.2A), Shoulder bent tube (No.3), Standing leg (No.4) and Standing leg for front door (No.4A) with Bolt 8x60mm (No.22), then put the arch into tube of the Base flange by hoist (see Figure 4)

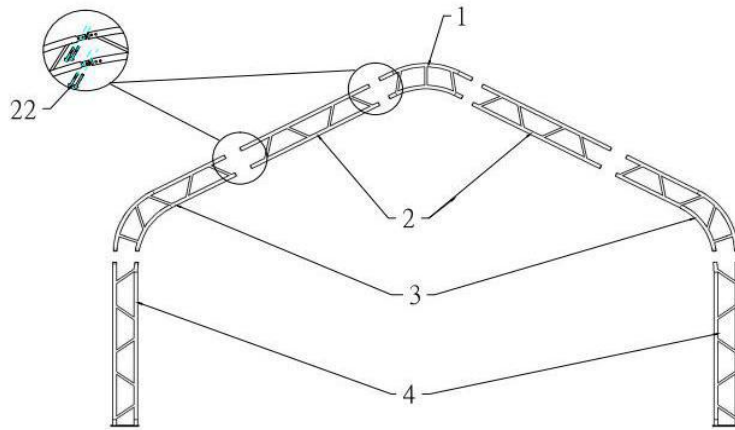


Figure 4

2. Figure 4 shows to connect the Roof bent tube (No.1), Sidewall bent tube (No.2), Shoulder bent tube (No.3), and Standing leg (No.4) with Bolt 8x60 (No.22), then put the arch into tube of the Base flange by hoist, and assemble every group arch by turns (see Figure 5)

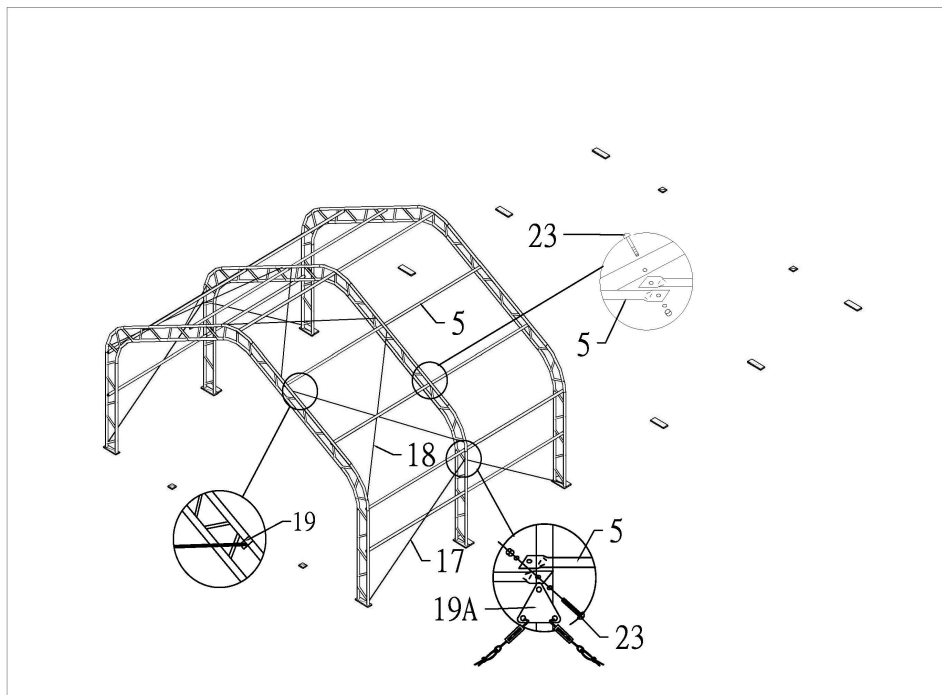


Figure 5

3. Connect Purlin (No.5) to arch by using Bolt 10x70mm (No.23) by turns (see Figure 5), then

connect the Steel wire(NO.17 and NO.18) on top and side by using Clip(No.19) (see Figure 5).

C--- INSTALLING FRONT AND BACK COVER

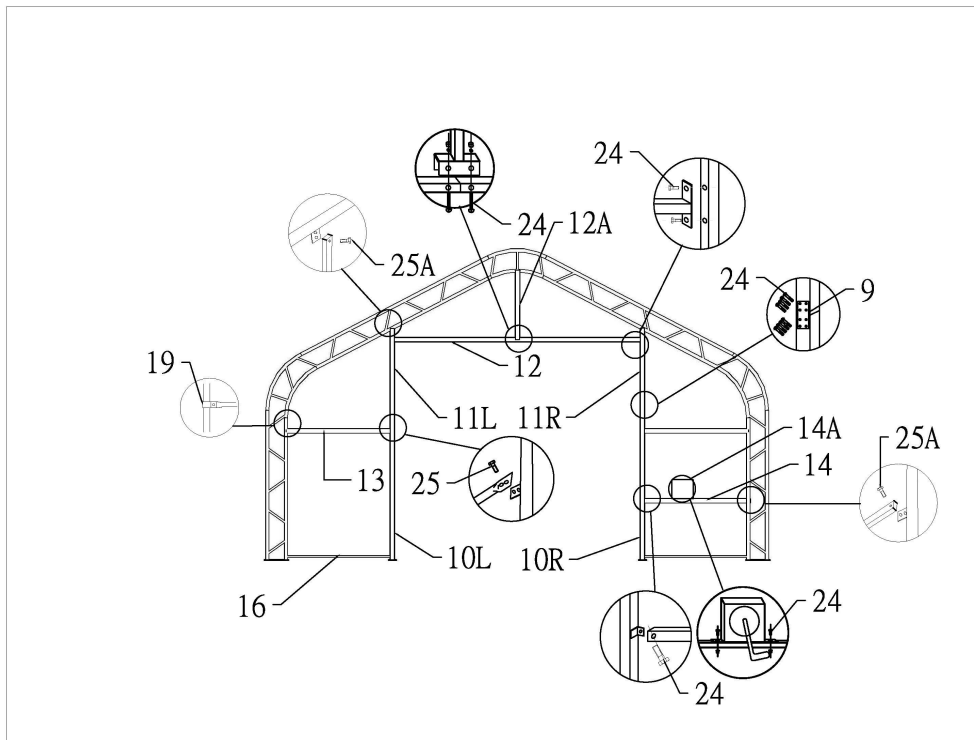


Figure 6: Front and Back door

1. Figure 6 shows to assemble the door frame.

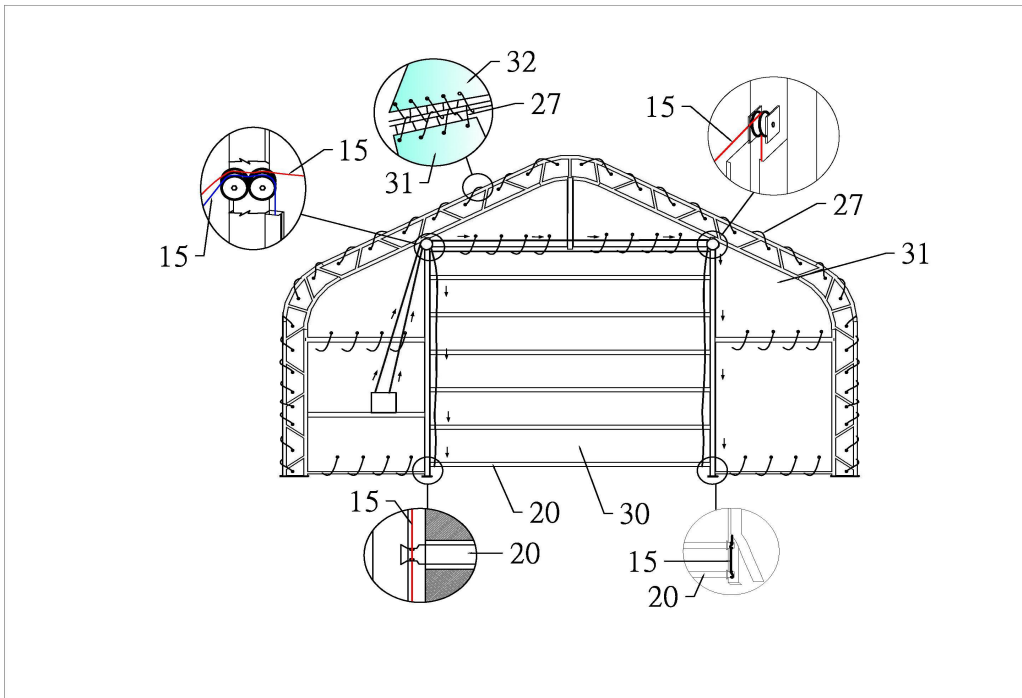


Figure 7: Front and Back Cover

2. Insert the vertical pipe into front and back door through the pockets on covers, assembly the Mechanical wheel, tidy the front door and back door covers by using Rope(No.27), **make the cover well fold to the frame first and then tension the cover.**

D--- INSTALLING THE ROOF COVER

NOTE: Do not install the cover onto the frame of your building in high wind condition

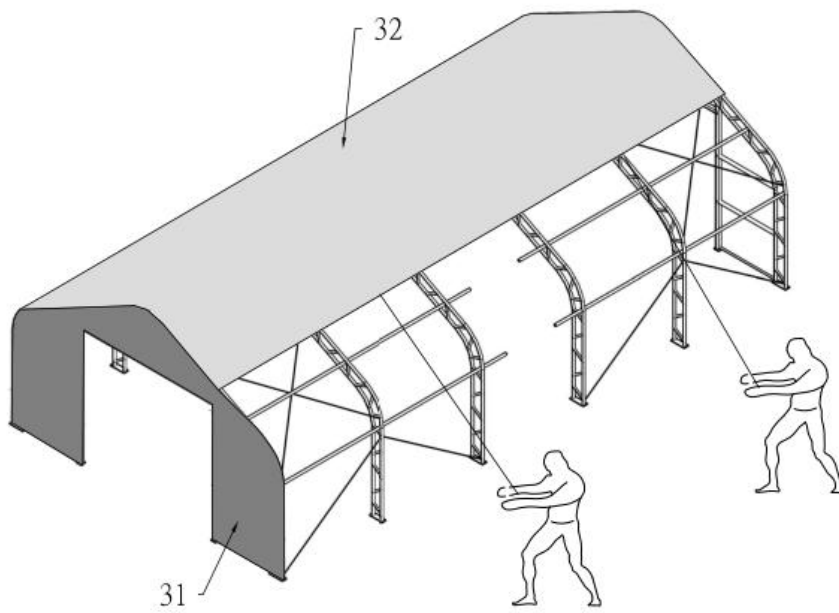
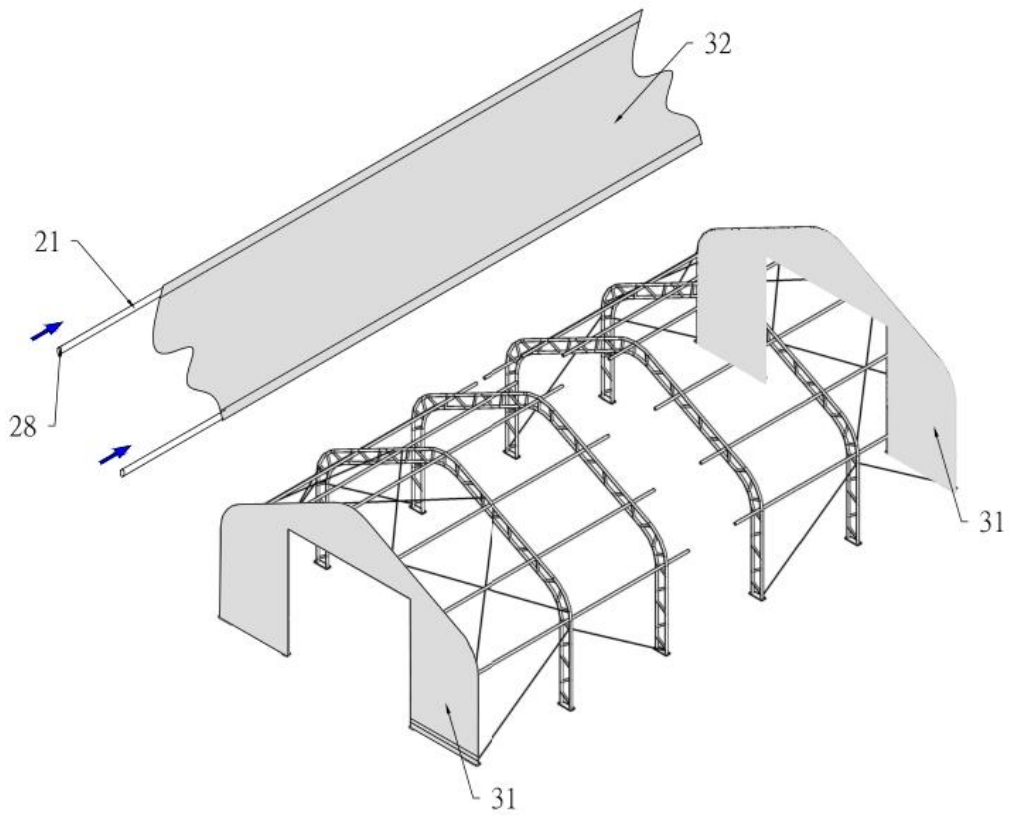


Figure 8

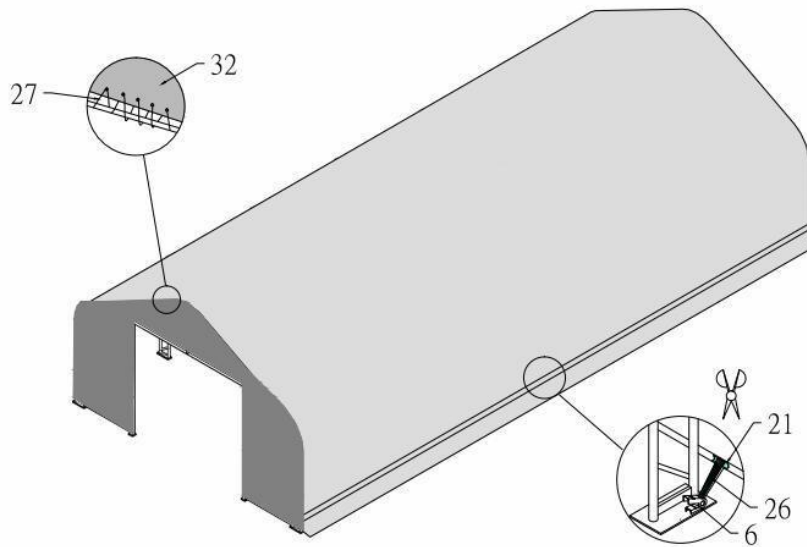


Figure 9

1. When Roof cover is over top of Frame assembly (see Figure 8), insert Tensioning tubes (No.21) into pockets along both sides of Roof cover, cut opening for Nylon band for ratchet, find the Nylon band over tube feed end into tie down to ratchet (No.6).
2. The roof cover is tensioned from front to back by the rope lacing to grommet flaps inside the main cover, inside the unit at both front and rear arches. Using the rope provided, lace the main cover grommet flap around the main frame front and rear arch pieces. Start in the top middle of each arch, and lace to each side. Add rope length by tying pieces together or cutting as necessary.

CONGRATULATIONS: NOW YOUR ASSEMBLY IS COMPLETED.