

# **SHELTER ASSEMBLY MANUAL**

**Model#406023DP  
(W40H23DP SERIES)**

**Size: W12.2m x L18.3m x H7m**



## **SPECIFICATION**

Width: 12.2m    Length: 18.3m    Height: 7.0m  
Door dimension: W18ft\*H16ft

## **IMPORTANT----READ MANUAL FIRST**

Improper site preparation, assembly and maintenance may invalidate warranty and cause unnecessary and costly mistakes. If you have any questions contact your local dealer.

For user friendly assembly, we have identified each individual component with the part code as indicated in the parts list. Please refer to the part code numbers and drawing to ensure problem free assembly.

It's necessary to tighten the roof fabric enough to avoid "hammocks" on the roof and also re-tighten once or twice again after a few months of using. This is important when assembly in cold weather (autumn and winter) because the fabric is stiff then and when we got the sun and warm weather afterwards it will make the fabric " slack " again and need to be re-tighten before next winter.

It's **the owners responsibility** to take of snow immediately if not slide of by itself.

## **READ ALL INSTRUCTIONS BEFORE ASSEMBLY**

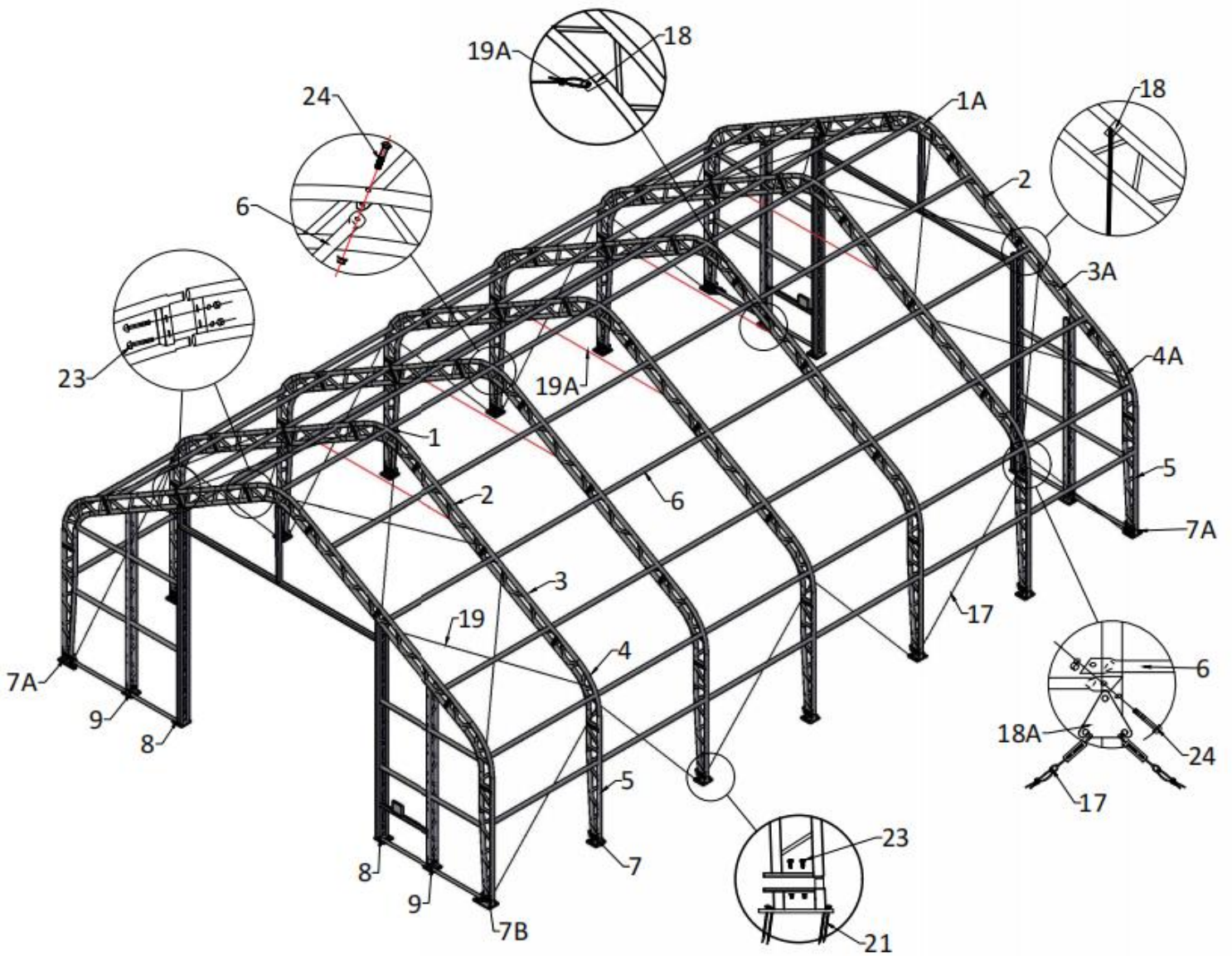
1. Keep work area clean. Cluttered areas invite injuries. Do not set up near snow drifts, in slippery places, in high winds, or wet location.
2. Keep children away. All children should be kept away from the work area. Be aware of personal safety. Be careful not to pinch fingers with clips and tubes when assembling.
3. Do not over reach. Keep proper footing and balance at all times.
4. Do not assemble if under the influence of alcohol or drugs. Read warning labels on prescription to determine if your judgment or reflexes are impaired while taking drugs. IF there is any doubt, do not assemble.
5. Be aware of possible windy conditions; fasten the base in concrete if these situations may occur. Remove the cover during hurricane.
6. Be careful with power and heat sources. Do not keep heat sources near the tarpaulin. Do not expose to open flame.
7. Be aware of personal safety during assembly and use .Be careful not to pinch fingers with clips and tubes when assembling when using makes sure there is adequate ventilation for exhaust and other dangerous fumes.

# **THINK SAFETY, EVERYDAY!**

**406023DP Parts List**

<b>Part</b>	<b>Description</b>	<b>QTY</b>	
1	Top Roof Tube	5	set
1A	Top Roof Tube in the Front and Back Door	2	set
2	Upper Roof Curving Tube	14	set
3	Lower Roof Curving Tube	10	set
3A	Lower Roof Curving Tube in the Front and Back Door	4	set
4	Sidewall Tube	10	set
4A	Iron Bent Tube	4	set
5	Standing Leg	14	set
6	Purlins	66	pcs
7	Base Flange for Standing Legs	10	pcs
7A	Base Plate for Left Corner	2	pcs
7B	Base Plate for Right Corner	2	pcs
7C	Tie down Ratchet with Screw	18	set
8	Base Flange for Mechanical Door	4	pcs
9	Side Base Plate for Front & Back Door	4	pcs
10L	Lower Door Track for Front & Back Door at Left	2	pcs
10R	Lower Door Track for Front & Back Door at Right	2	pcs
11L	Upper Door Track for Front & Back Door at Left	2	pcs
11R	Upper Door Track for Front & Back Door at Right	2	pcs
12	Door Beam on both Door	4	pcs
12A	Vertical Supporting Tube for both Door	2	pcs
13	Lower Standing Legs for both Door at Left	2	pcs
13A	Lower Standing Legs for both Door at Right	2	pcs
14L	Upper Standing Legs for both Door at Left	2	pcs
14R	Upper Standing Legs for both Door at Right	2	pcs

15	Horizontal Tube for both Door	12	pcs
15A	Shoulder Purlin for both Door	4	pcs
16	Tube for Assembling Mechanical Wheel on both Door	2	pcs
17	Steel Wire at Side	12	pcs
18	Clips	46	pcs
18A	Triangle Plate	8	pcs
19	Steel Wire on Top	16	pcs
19A	Vertical Steel Wire on Top	5	set
20	Bottom Tension Tube for both Door	8	pcs
21	Stake Peg	72	pcs
22	Tension Tube	2	groups
23	Bolt for both Door	170	set
24	Carriage Bolt for both Door	85	set
24A	Bolt for both Door	20	set
25	Tube for Doors	14	groups
25B	Bolt	8	set
26	Mechanical Wheel	2	set
27	Plastic Plug	20	pcs
28	Rope	1	bundle
29	Wrench	2	pcs
30	Band for Tie Down Ratchet	14	pcs
31	PVC Tube	2	groups
31A	25PVC Tube	54	groups
32	Bolt	24	set
33	Small Tie Down Ratchet	156	pcs
34	Roof Cover	1	pcs
35	Front & Back Cover	2	pcs



**Figure 1: Sketch of Trussed Frame Shelter**

**Size: W12.2mxL18.3mxH7.0m**

**EQUIPMENT AND TOOLS FOR INSTALLATION**

- |                   |                            |
|-------------------|----------------------------|
| 1. Measuring Tape | 2. String for Alignment    |
| 3. Stake          | 4. Ladder or Scissors Lift |
| 5. Sledge Hammer  | 6. Drill                   |
| 7. Wrench         | 8. Knife                   |
| 9. Hoist          |                            |

**⚠ WARNING**

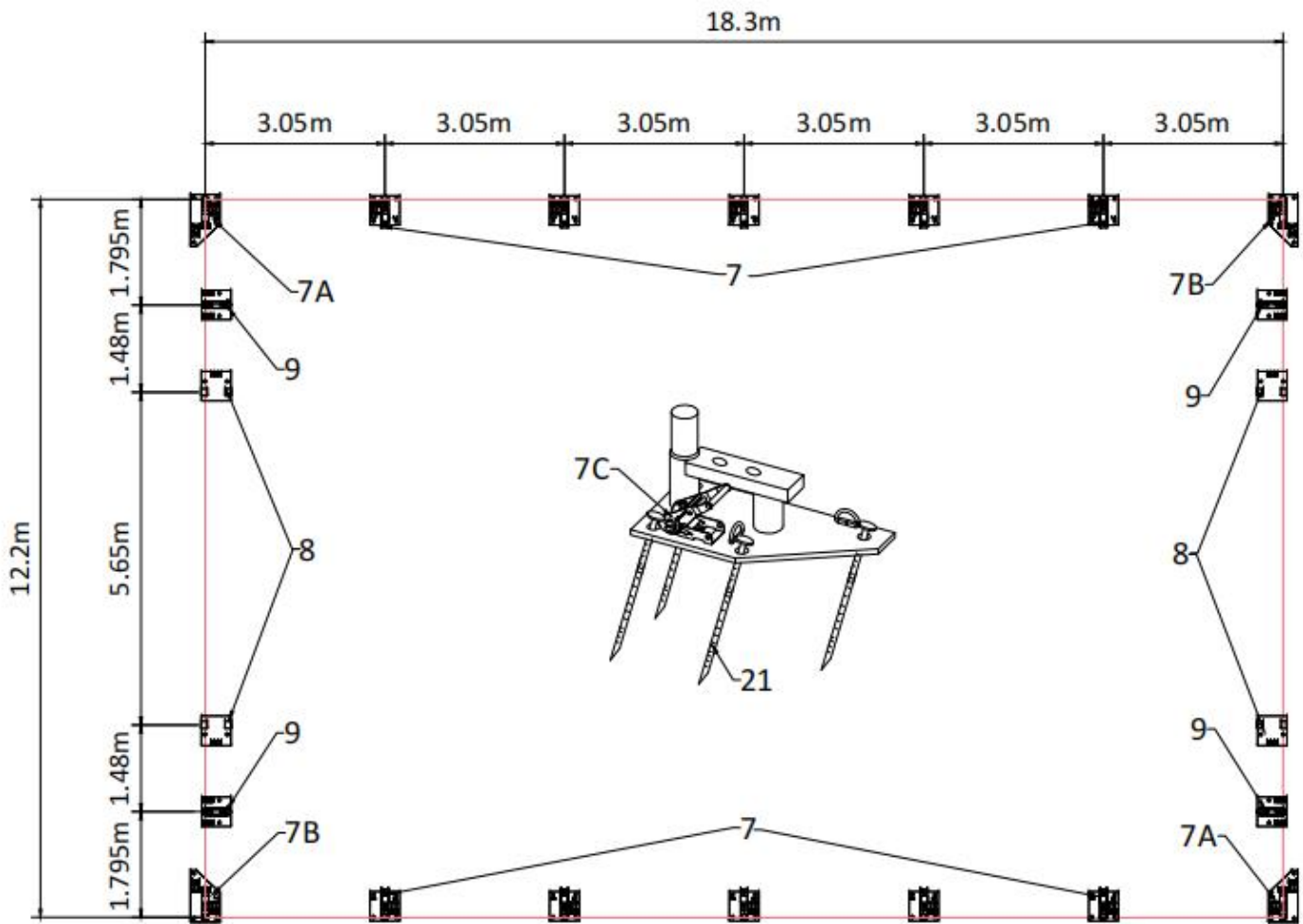
**SAFETY TIPS**

Always wear proper safety equipment such as safety glasses and gloves

# INSTALLATION PROCESS

## A---BASE INSTALLATION

Please refer to the diagram (Figure 2) to place the base plates:

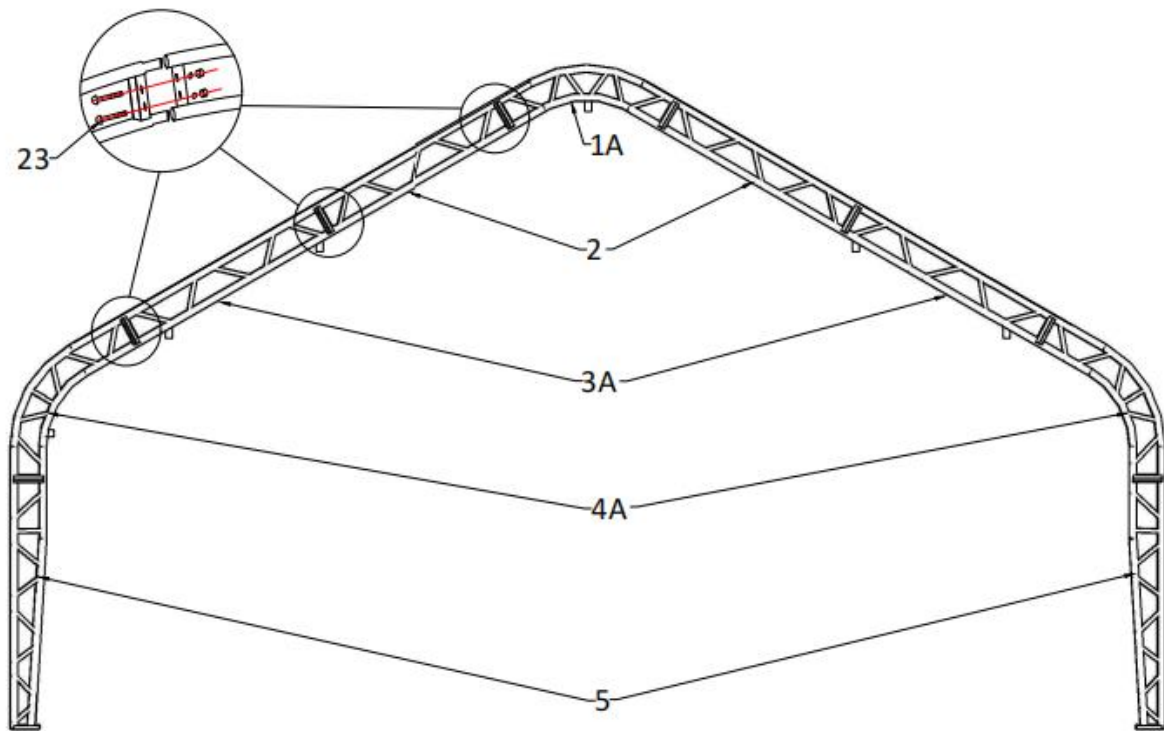


**Figure 2:Foundation placement**

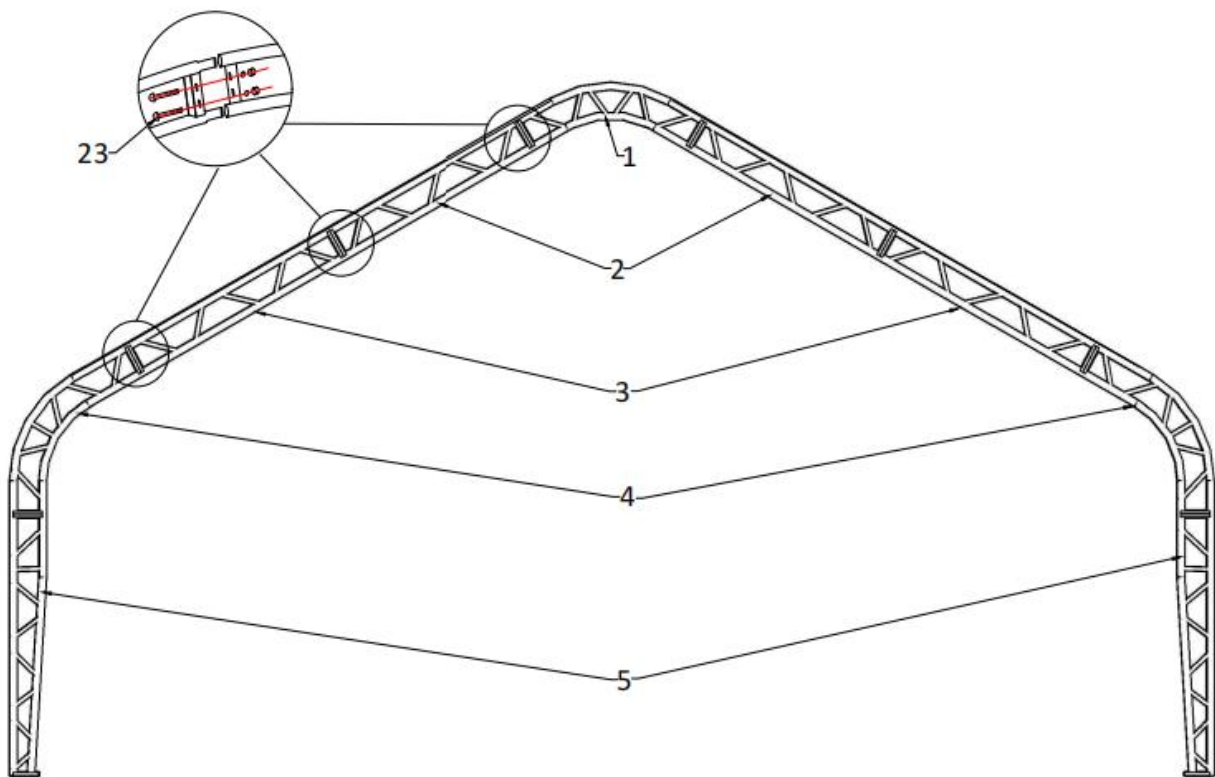
1. The measurement is from center to center of tubes on the base plates. Referring to the above diagram and confirm the place of base plates. There are four holes on the plates for stake pegs.
2. As Figure 2 shows, each base plate is equipped with 4 pieces of stake pegs with ratchets on.(No.21) Mark the stake peg hold through the base plate by using the stake peg. Move the base plates away and the mark determines where the stake peg will be.

**Note:** The stake peg apply for normal conditions, not suitable to the rock ground, frozen soil and concrete ground.

## B---FRAME INSTALLATION

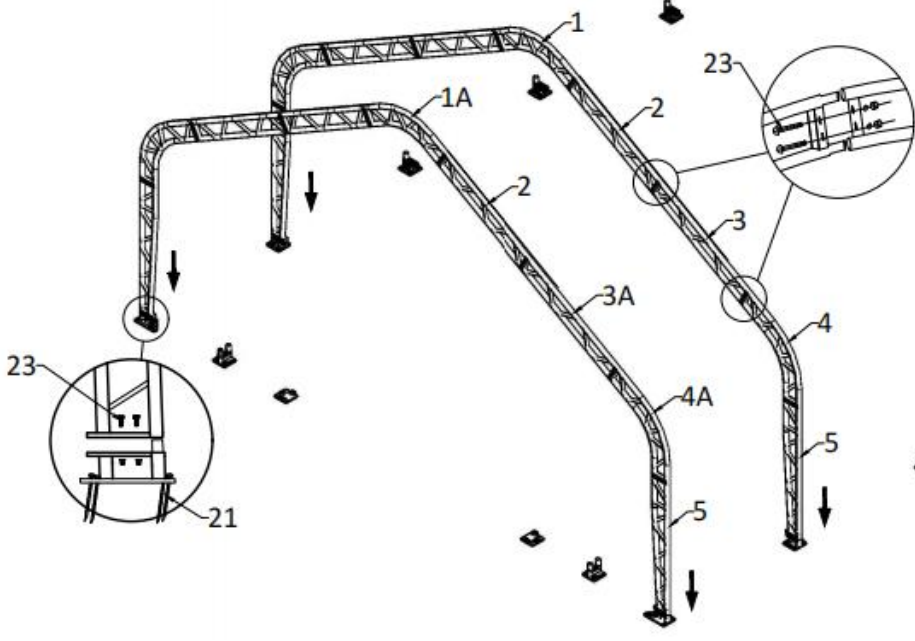


**Figure 3**

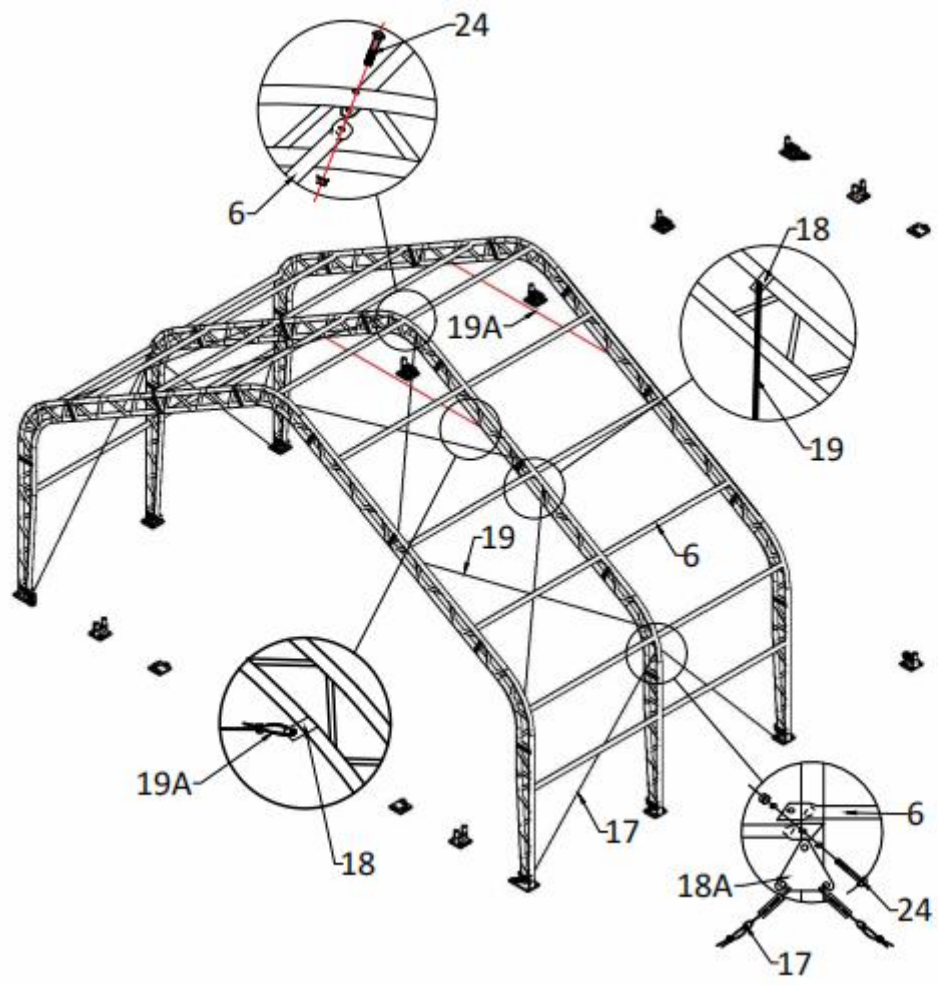


**Figure 4**

1. As Figure 3 & 4 show, to connect the top roof tube(No.1A, 1), upper roof curving tube(No.2), lower roof curving tube (No.3A, 3), iron bent tube (No.4A,4) and standing leg(No.5) with bolt M12x40mm(No.23), then put the arch into tube of the base flange by hoist, and assemble every group arch by turns(see Figure 5).



**Figure 5**

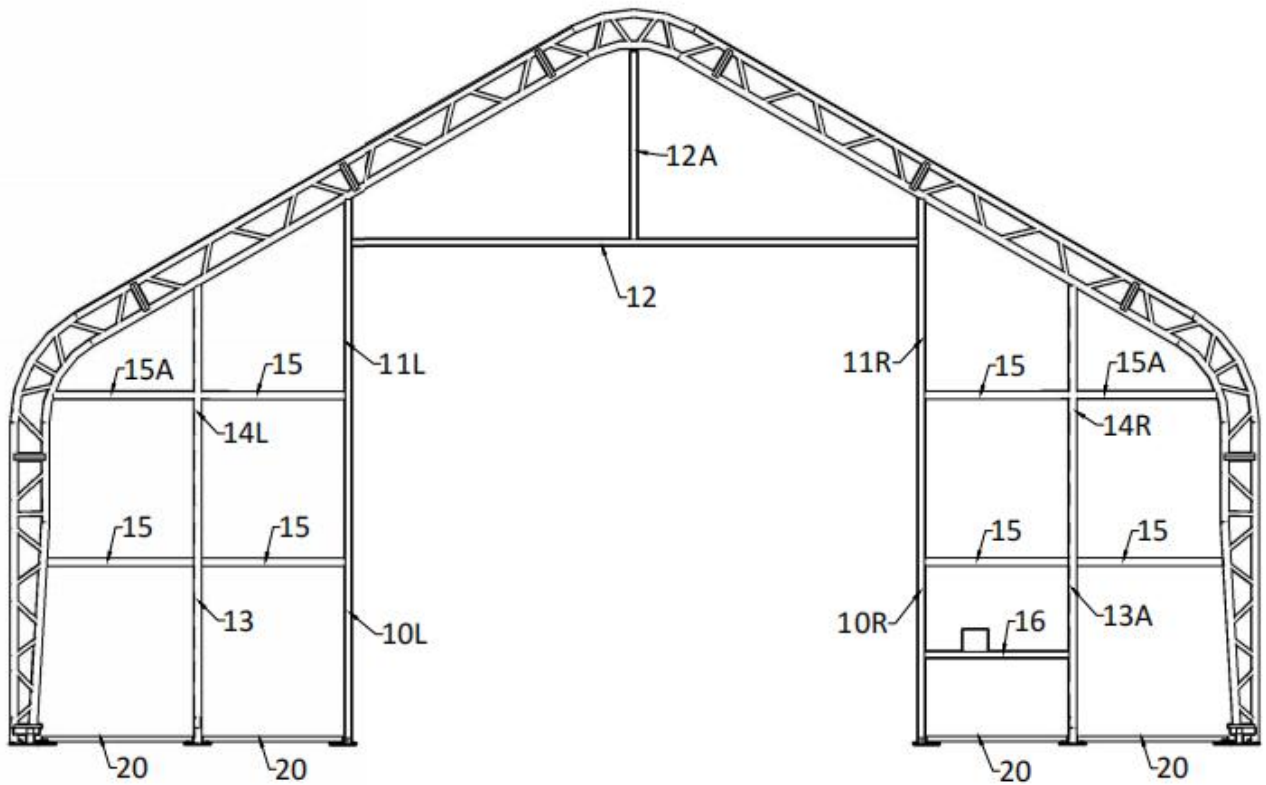
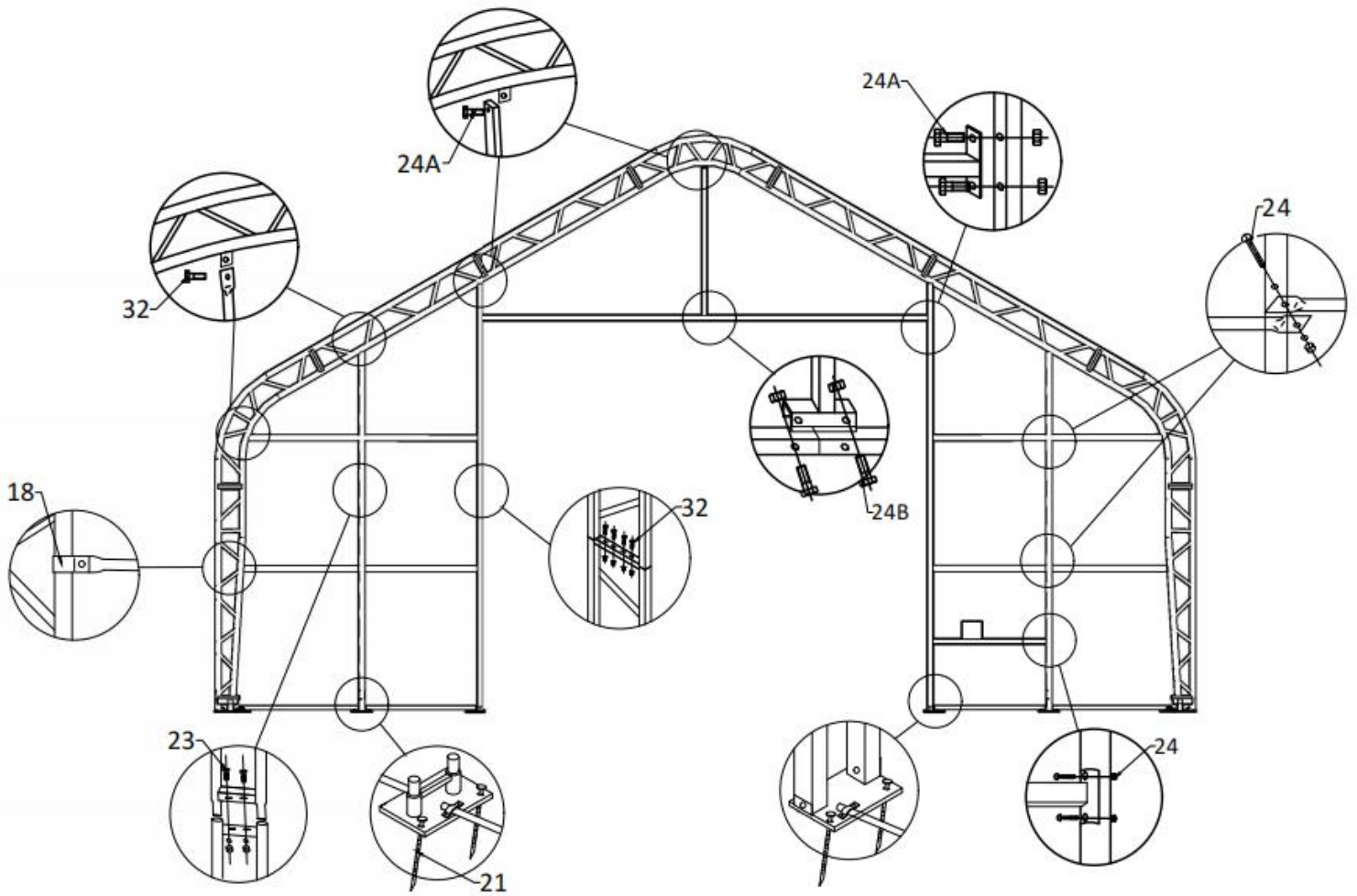


**Figure 6**

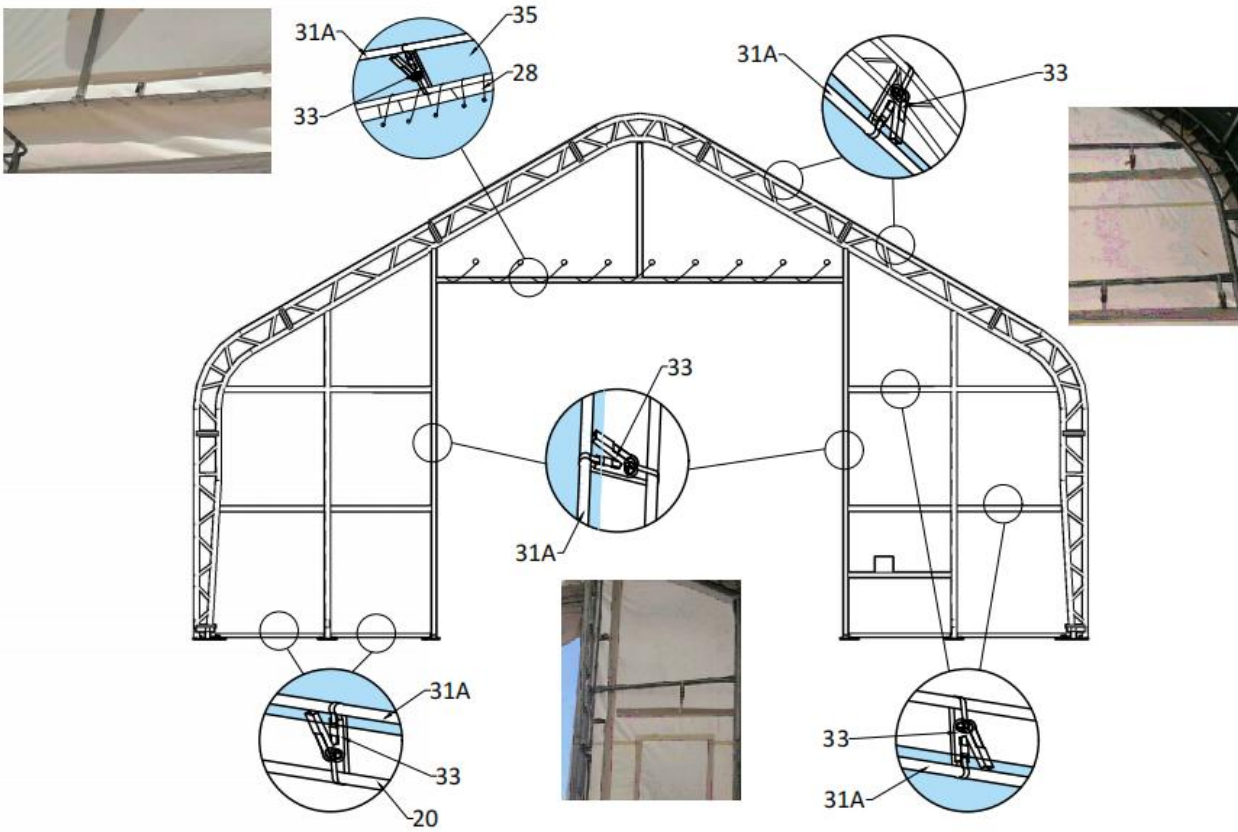
2. Connect purlin(No.6) to arch by using bolt M10x90mm (No.24) by turns(see Figure 6), then connect the steel wire(NO.17 and NO.19) on top and side by using clip(No.18) (see Figure 6).



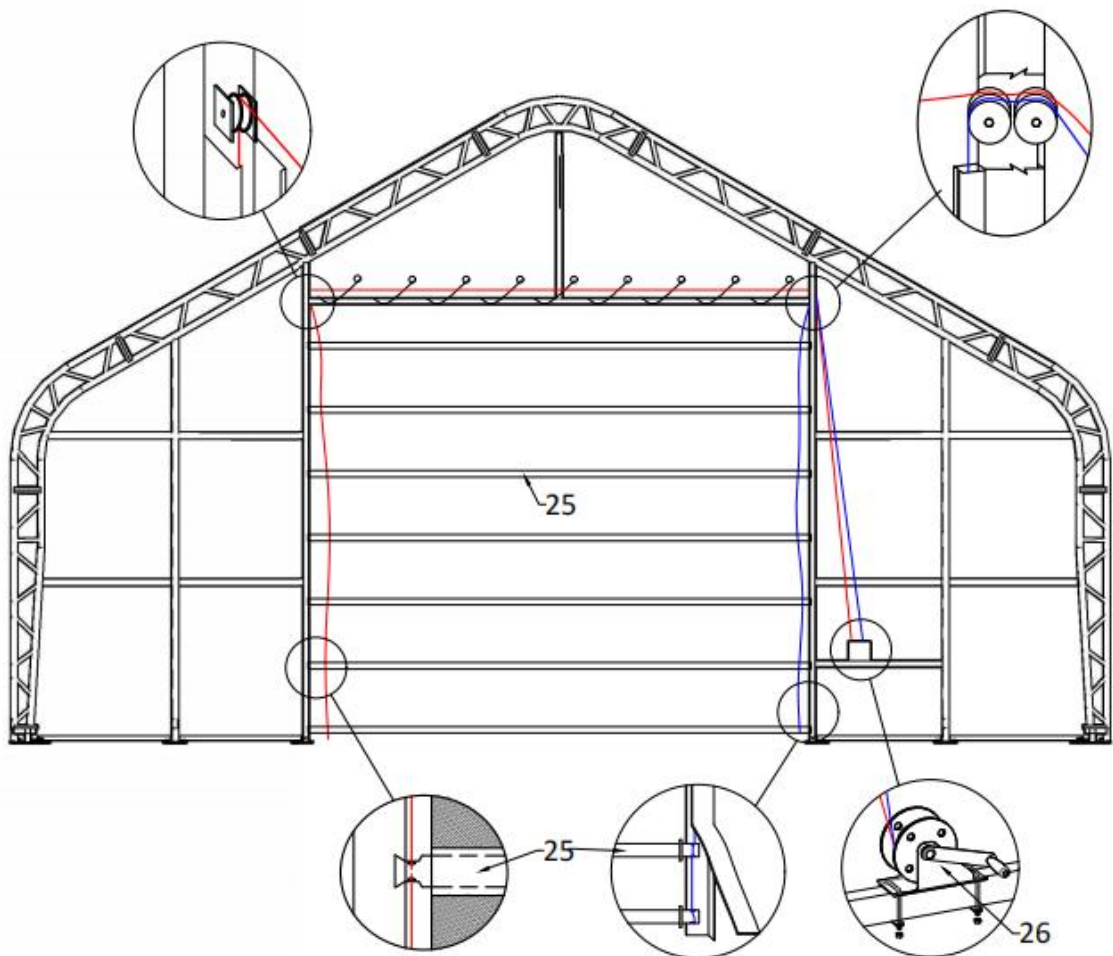
## C--- INSTALLING FRONT AND BACK COVER



1. After assemble the arches, pls assembly the front and back wall as the pictures above show.



**Figure 8 Front and Back Cover**

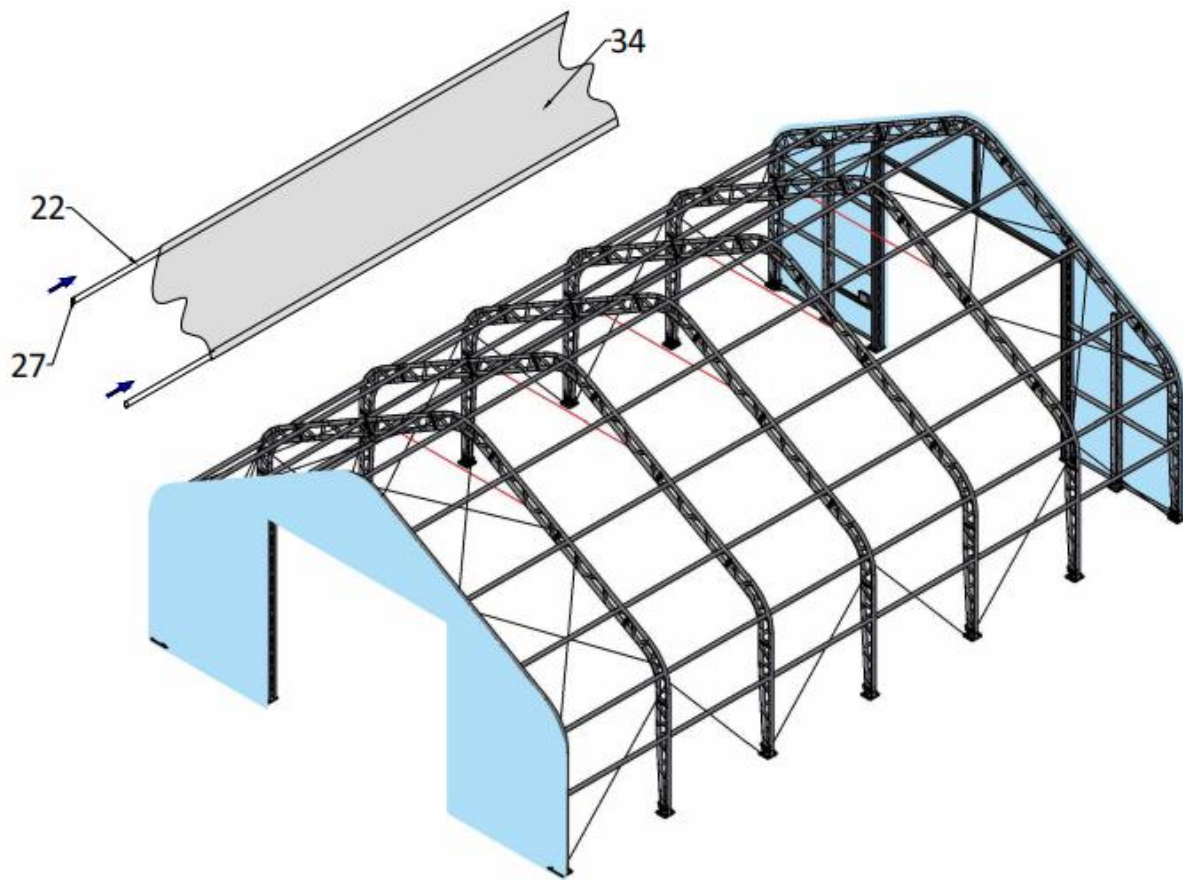


**Figure 9 Front and back door**

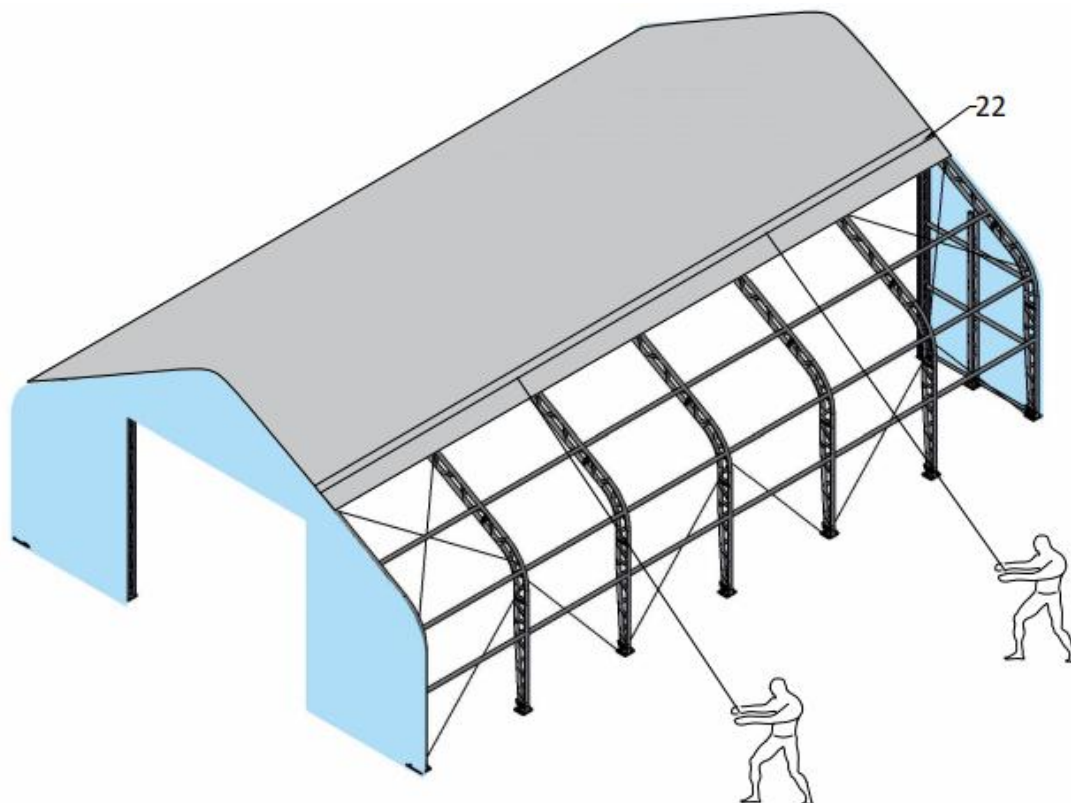
2. Insert the tubes(Part No.25) into front and back door through the pockets on covers, tidy the front door and back door covers by using rope(No.28), make the cover well fold to the frame and tension the cover.

### **D--- INSTALLING THE ROOF COVER**

NOTE: Do not install the cover onto the frame of your building in high wind conditions.

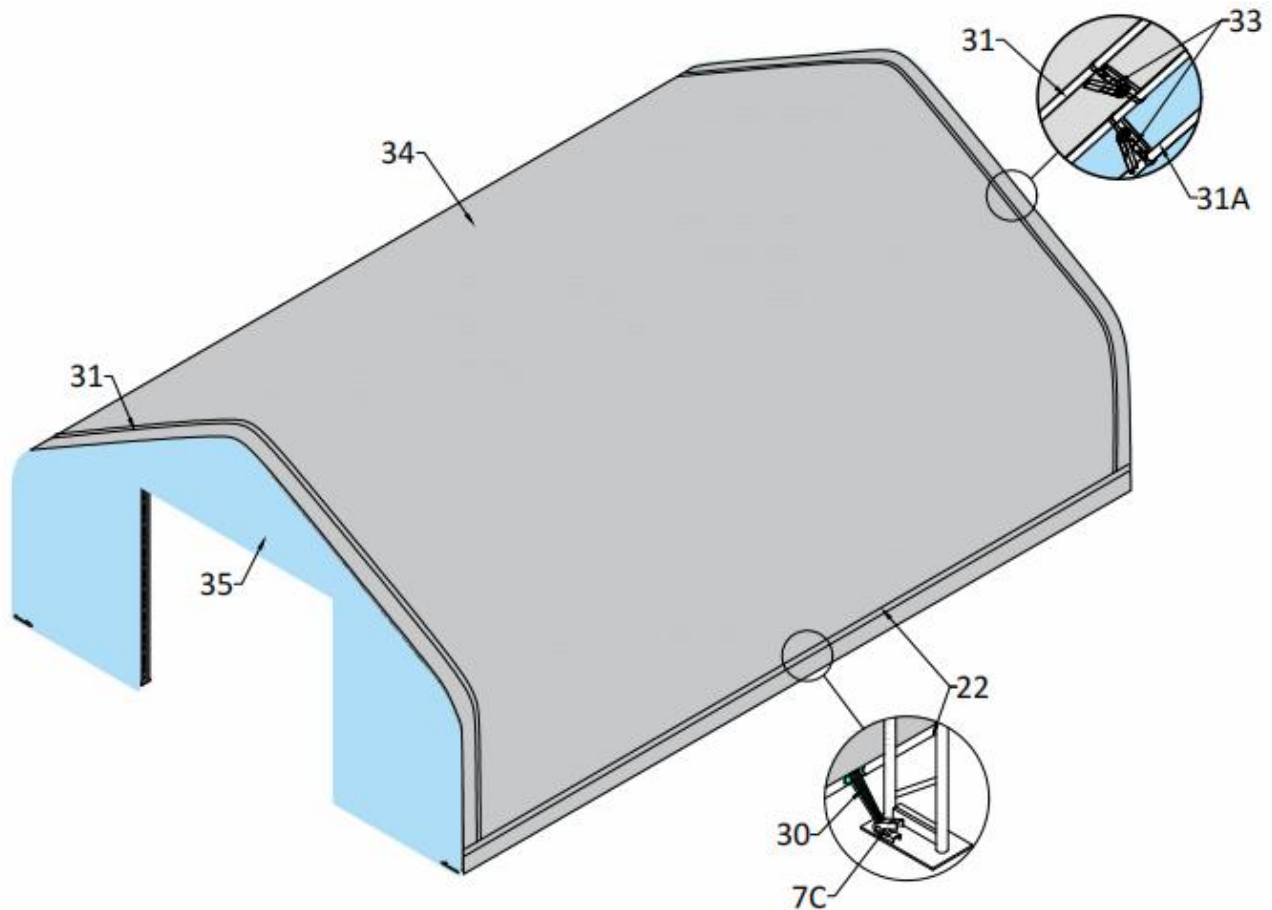


**Figure 10**



**Figure 11**

1. As Figure 10 shows, put the roof cover (Part No.34) EVENLY, CARRFULLR AND SLOWLY on the frame. Adjust the cover so that it is square and evenly centered on the frame.



**Figure 12**

2. As Figure 12 shows, align one side of Roof cover evenly front to back, add band for tie down ratchet (No.30) at each point along the cover opening, put band for tie down ratchets over cover tension tubes at each base plate along one side. Bands do not attach to tension tubes, but loop around and secure at both ends on ratchet.

3. The roof cover is tensioned frond front to back by the rope lacing to grommet flaps inside the main cover, inside the unit at both front and rear arches. using the rope provided, lace the main cover grommet flap around the main frame front and rear arch pieces. start in the top middle of each arch, and lace to each side. add rope length by tying pieces together or cutting as necessary.

NOTE:

1. Cloth tape for wrapping the gaps on the frame after frame installation.
2. Please adjust the roof cover every month. It's necessary to make the cover flat and well tensioned.

**Confirm that all the hardware and parts are present before attempting to assemble your storage unit.**

 **WARNING**

**SAVE THIS MANUAL  
FOR FUTURE REFERENCE!**