

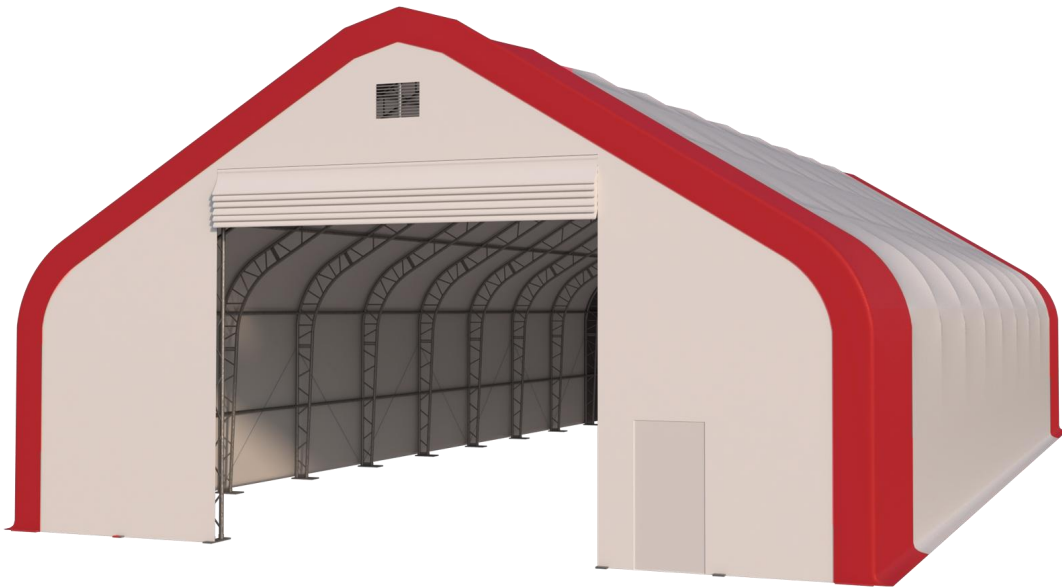
SHELTER

ASSEMBLY MANUAL

(W50H23DP SERIES)

Model # 5012023

W15.25mxL36.6m xH7.015m

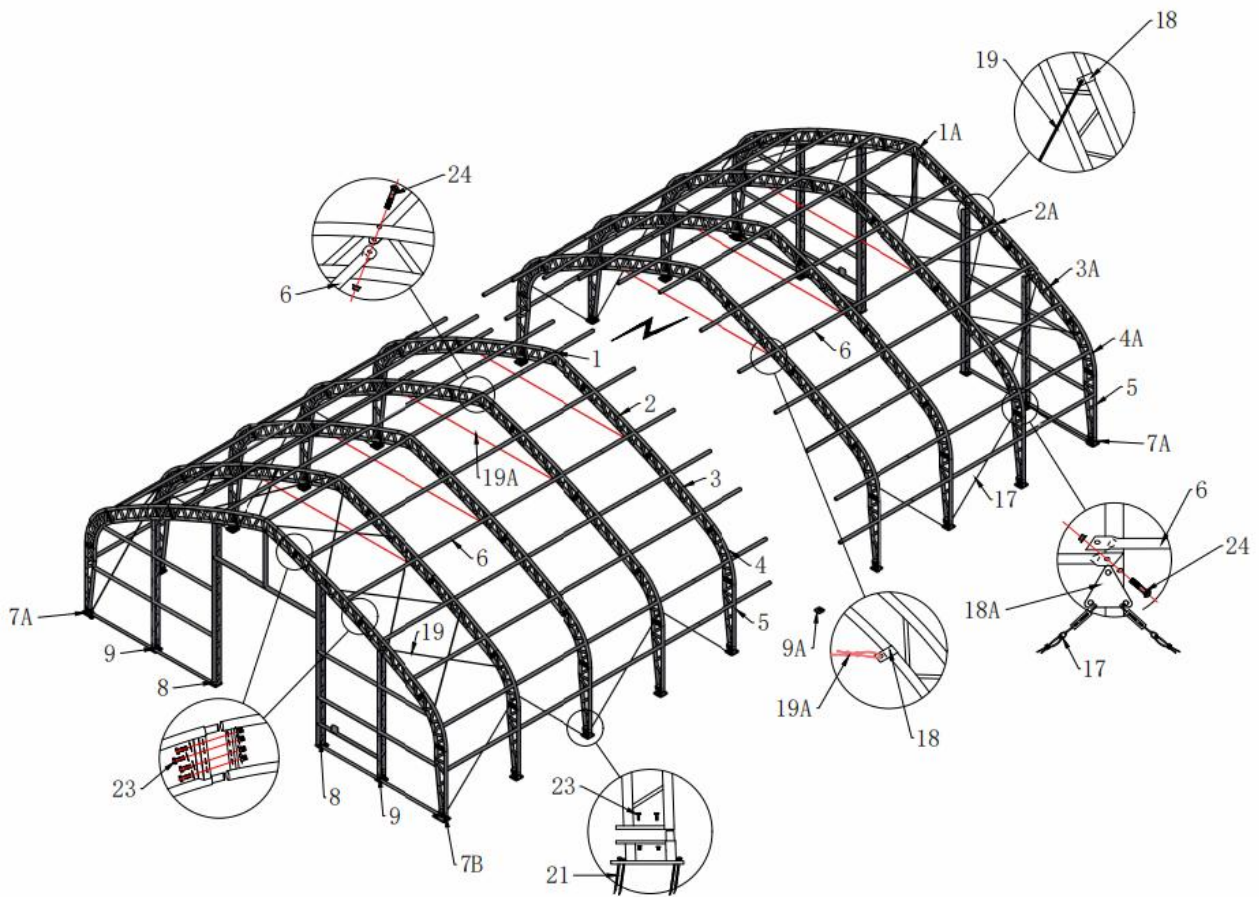


5012023DP Parts List

Part	Description	QTY
1	Top Bent Tube	11
1A	Top Bent Tube for Front and Back Door	2
2	Upper Roof Curving Tube	22
2A	Upper Roof Curving Tube for Front and Back Door	4
3	Lower Roof Curving Tube	22
3A	Lower Roof Curving Tube for Front and Back Door	4
4	Shoulder Tube	22
4A	Shoulder Tube for Front and Back Door	4
5	Standing Leg	26
6	Purlin	156
7	Middle Base Plate	22
7A/7B	Base Plate for Corners	4
7C	Ratchet	32
8	Base Plate for Mechanical Door	4
9	Side Base Plate for Front and Back Door	4
9A	Base Plate for Roof Cover at Middle Connection Area	2
10L	Lower Door Track at Left for Front and Back Door	2
10R	Lower Door Track at Right for Front and Back Door	2
11L	Upper Door Track at Left for Front and Back Door	2
11R	Upper Door Track at Right for Front and Back Door	2
12	Door Crossbeam	4
12A	Boom	2
13	Lower Standing Leg on both Doors at Left	2
13A	Lower Standing Leg on both Doors at Right	2

14L	Upper Standing Leg at Left on both Doors	2
14R	Upper Standing Leg at Right on both Doors	2
15	Rail Tube on both Doors	8
15A	Upper Purlin on both Doors	4
15B	Lower Purlin on both Doors	4
16	Square Tube for Mechanical Door	2
17/19	Steel Wire for Side and Top	48
18	Clip	74
18A	Iron Triangle for Fixed steel Wire Rope	12
19A	Top Longitudinal Steel Wire Rope	11
20	Bottom Tension Tube of Front and Back Door	8
21	Stake Peg	124
22	Tension Tube	2 groups
25	Vertical Support Tube for Doors	28
26	Mechanical Wheel	2
31	PVC Tube	4 groups
31A	25 PVC Tube	66
	Attachment Bag	1
23	12X40 Bolt for Tubes and both Doors	510
24	10X90 Carriage Bolt for Purlin and both doors	181
24A	12X90 Bolt for Tubes and both Doors	20
24B	10x60 bolt for door beam and Vertical support tube	6
27	38mm Plastic Plug	20
28	Rope	1
29	Tools	2
30	Band for Tie Down Ratchet	26

32	10X30mm Bolt	24
33	Small Ratchet with Band	204
34	Front and Back Door Cover	2
35	Roof Cover	2



Sketch Frame Figure 1 (W15.25xL36.6xH7.015)m

SPECIFICATION

Width: 15.25m Height: 7.015m Length: 36.6m
Door Size: W5.49m x H4.88m

IMPORTANT-----READ MANUAL FIRST

Improper site preparation, Assembly and Maintenance may invalidate warranty and cause unnecessary and costly mistake. If you have any questions contact your local dealer.

For User Friendly assembly we have identified each individual component with the part code as indicated in the parts list. Please refer to the part code numbers and drawing to ensure problem free assembly.

It's necessary to tighten the roof fabric enough to avoid "hammocks" on the roof and also re-tighten once or twice again after a few months of use. This is important when assembly in cold weather (autumn and winter) because the fabric is stiff then and when we got the sun and warm weather afterwards it will make the fabric "slack" again and need to be re-tighten before next winter.

It's the owners responsibility to take of snow immediately if not slide off by itself.

READ ALL INSTRUCTIONS BEFORE ASSEMBLY

1. Keep work area clean. Cluttered areas invite injuries. Do not set up near snow drifts, in slippery places, in high winds, or wet location.
2. Keep children away. All children should be kept away from the work area.
3. Don't over reach. Keep proper footing and balance at all times.
4. Do not assemble in under the influence of alcohol or drugs. Read warning labels on prescriptions to determine if your judgment or reflexes are impaired while taking drugs. If there is any doubt, do not assemble.
5. Be aware of possible windy conditions; fasten the bases in concrete if these conditions are likely to occur. Remove the cover during hurricane.
6. Be careful with power and heat sources. Do not keep heat sources near the tarpaulin. Do not expose to open flame.
7. Be aware of personal safety during assembly and use. Be careful not to pinch fingers with clips and tubes when assembling: when using makes sure there is adequate ventilation for exhaust and other dangerous fumes.

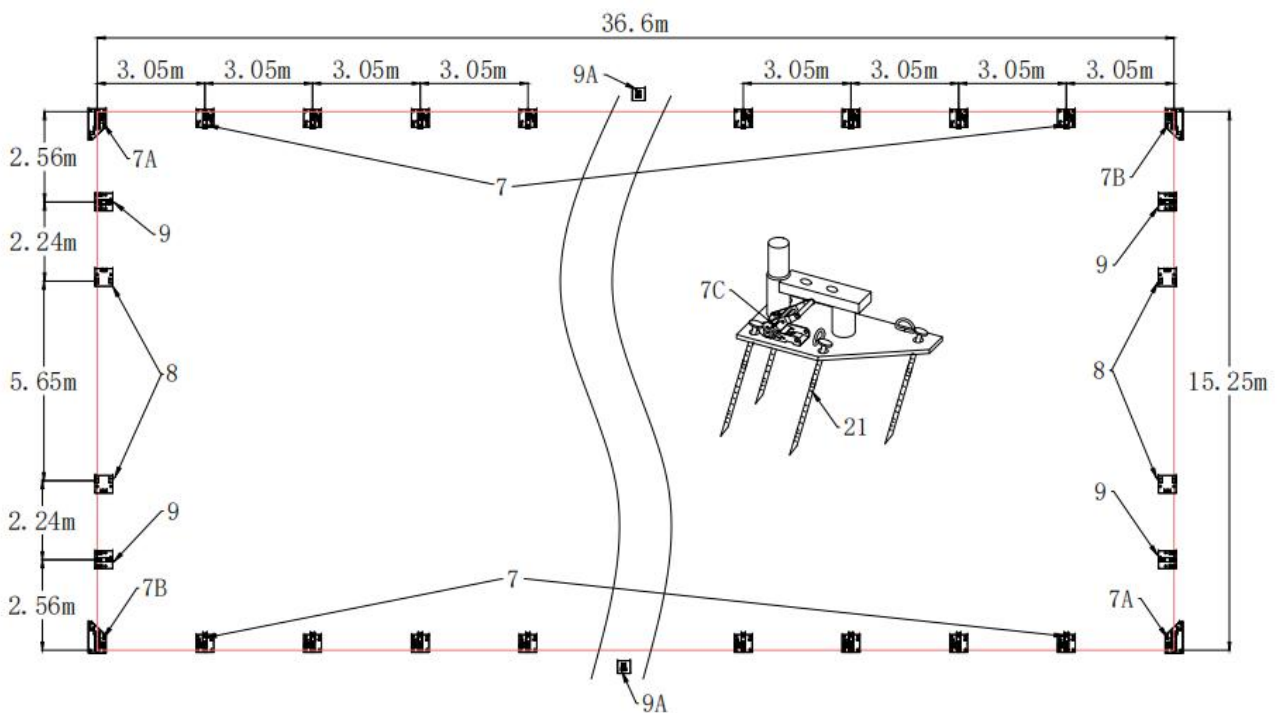
EQUIPEMNT AND TOOLS FOR INSTALINATION

1. Measuring tape
2. Crane
3. String for alignment
4. Step ladder
5. Welder
6. Sledge hammer
7. Wrench
8. Scissors

INSTALLATION PROCESS

A—BASE PLATES INSTALLATION

Please refer to the diagram (Base Plate Figure 2) to place the base plates.

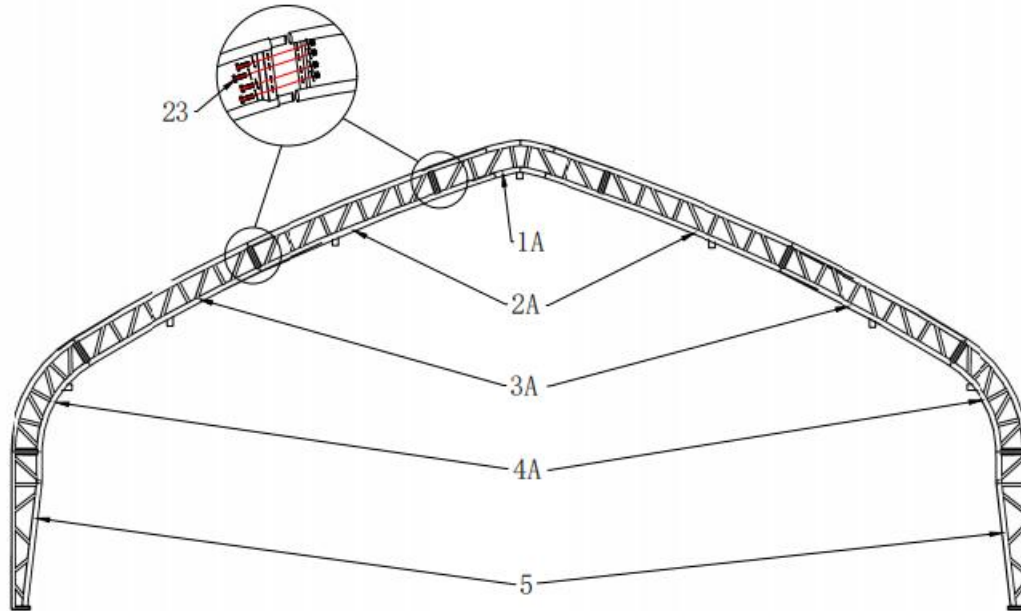


Base Plate & Stake Peg Figure 2 (Unit: mm)

1. The measure is from center to center of the tubes. Referring to the above diagram and confirm the place of the base plates. ENSURE THAT THE FOUNDATIONS IS SQUARE.
 2. Base plate (No. 7 / 7A / 7B) will be equipped with 4 stake pegs. However, please note that Base plate (No.8 / 9 / 9A) should be equipped with 2 stake pegs. THUS ALL BASE PLATES ARE SECURED.
- Note:** The Stake Pegs apply for normal conditions, not suitable to the rock ground, frozen soil and concrete group. Please use expansion bolts if the building will be assembled on the concrete.

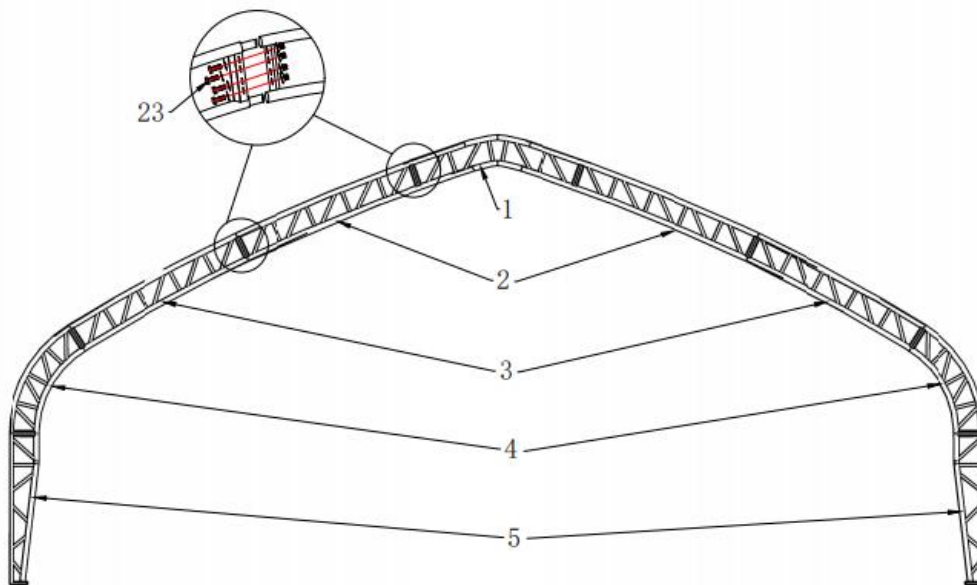
B—MAIN FRAME INSTALLATION

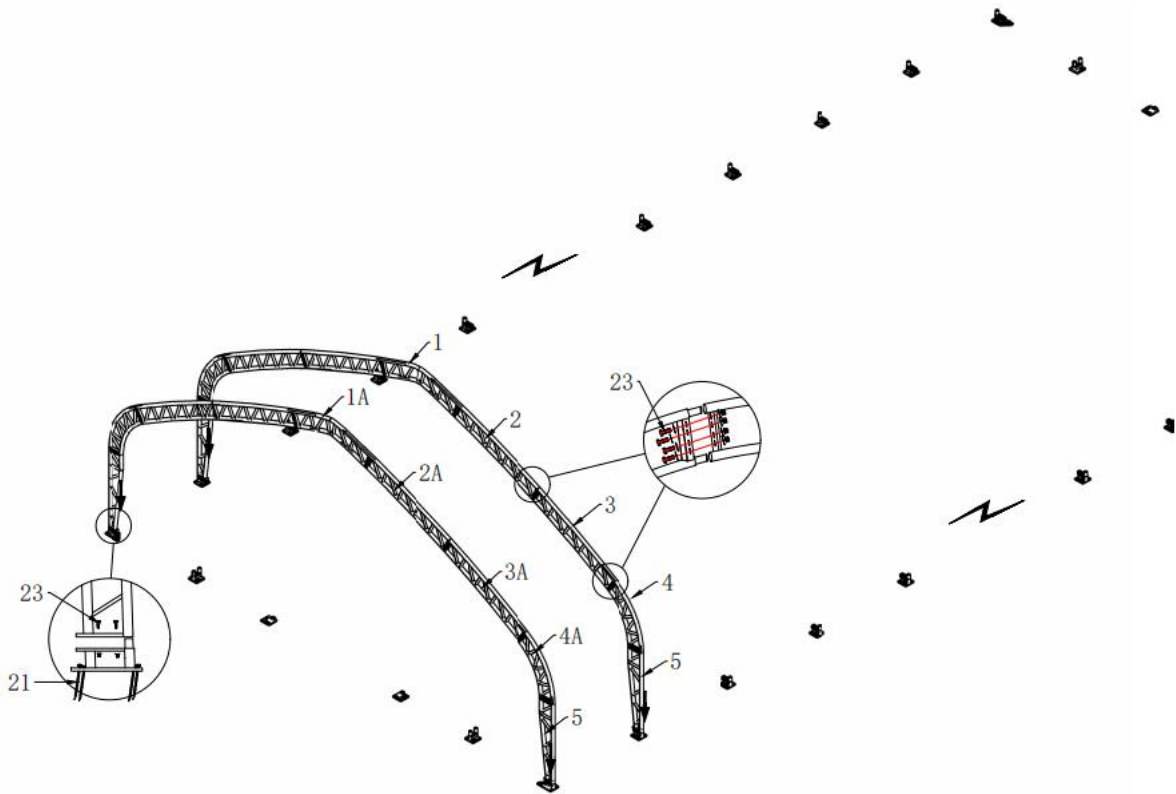
1. (Part No. 1A*1+No.2A*2+No.3A*2+No.4A*2 + No.5*2) As Figure 3 shown, to find one piece of top bent tube for front and end wall (No.1A), two pieces of upper roof curving tube for front and end wall (No. 2A), two pieces of lower roof curving tube for front and end wall (No.3A), two pieces of shoulder tube for front and end wall (No. 4A) and two piece of standing leg (No.5). Connect them by using bolt 12*40mm (No. 23), which makes the first group of end arch frame.



Front and Back Door frame Figure 3

2. (Part No. 1*1+No.2*2+No.3*2+No.4*2+No.5*2) As Figure 4 shown, to find one piece of top bent tube (No.1), two pieces of upper roof curving tube (No. 2), two pieces of lower roof curving tube (No.3), two pieces of shoulder tube (No. 4) and two pieces of standing leg (No.5). Connect them by using bolt 12*40mm (No. 23), which makes the second group arch frame. By turns, install the other groups of arch frame like it.





Middle Arch Frame Figure 4

3.As Figure 5 shown,after installing these two groups of arch frame, please connect the purlin (No.6) between these two groups of arch frame using bolt 10*90mm (No. 24). There are 13 pieces of purlin (No. 6) between each two groups. By turns, after install other groups of arch frame and purlin, the assembly of the main frame is finished.

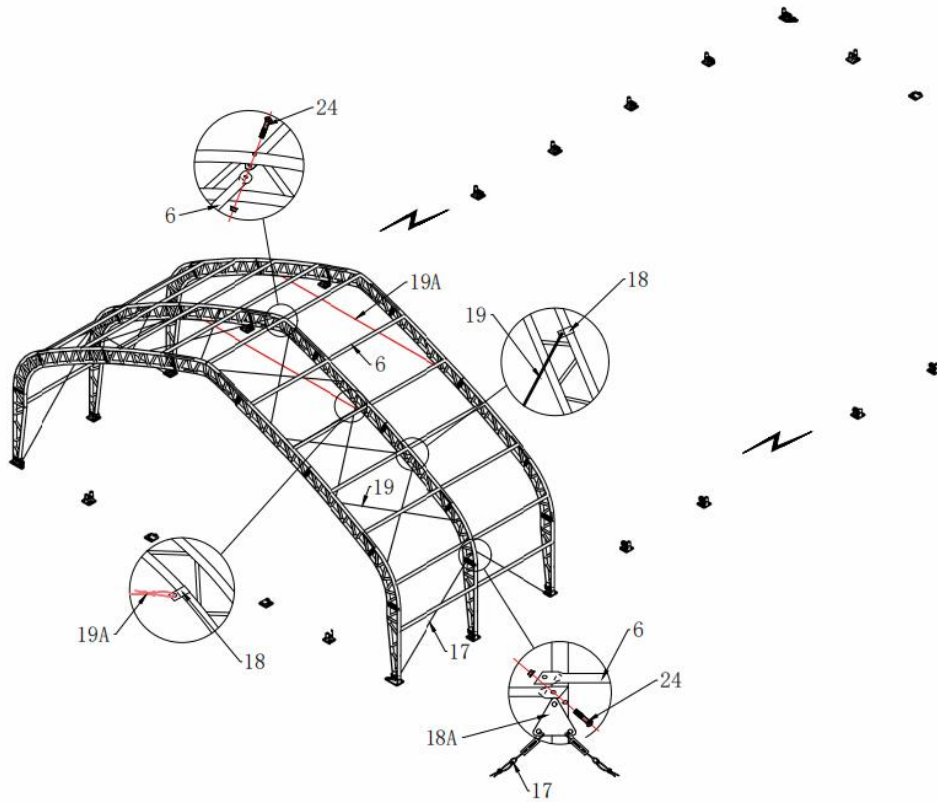


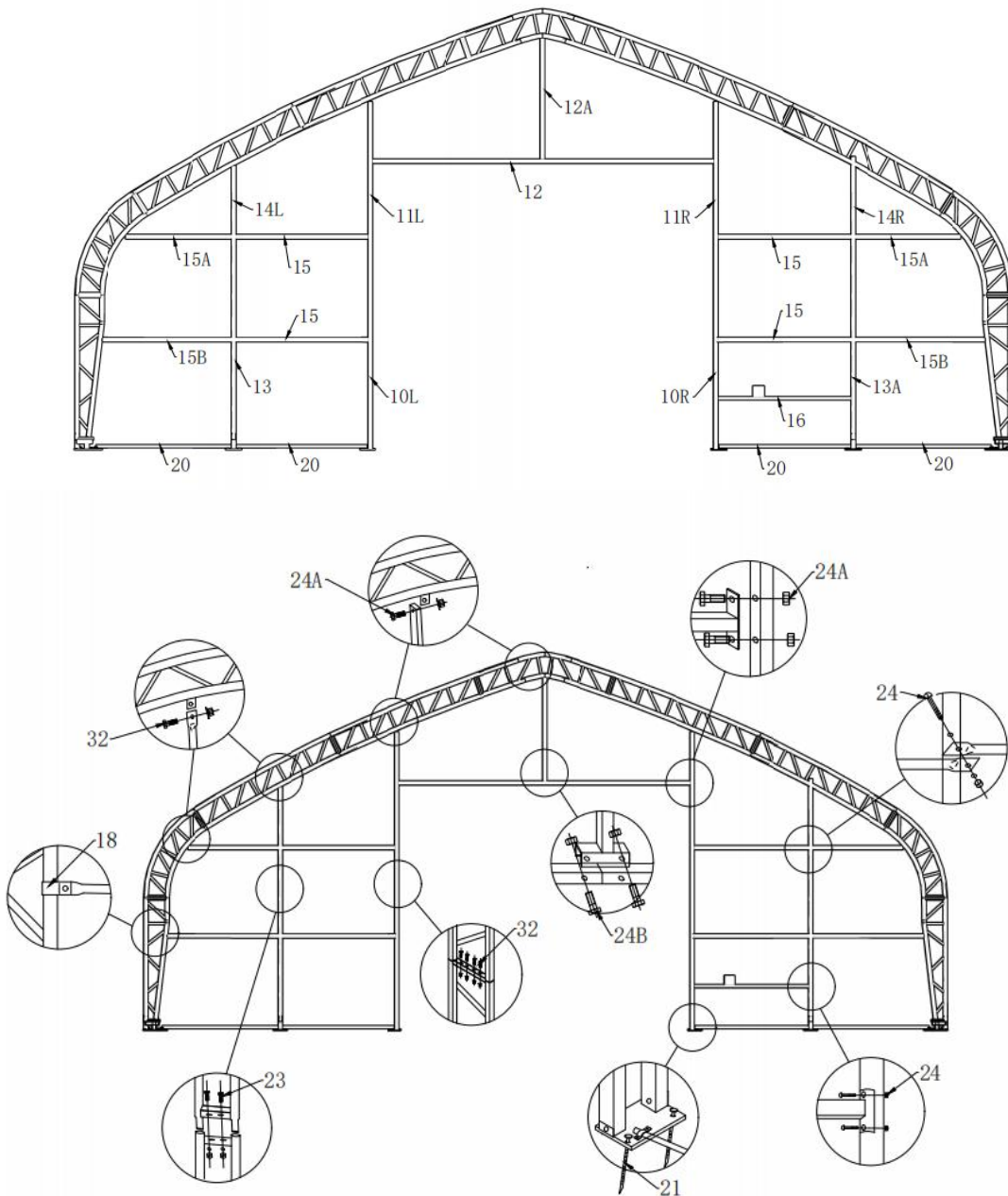
Figure 5

4. Connect the steel wire at side (No.17)with purlin (No.6) by using iron triangle(No.18A) and bolt 10*90(No.24) . Assemble steel wire between two arches (No.19) and longitudinal steel wire one the top of each arch (No.19A) by using clip(No.18)(see Figure 5).

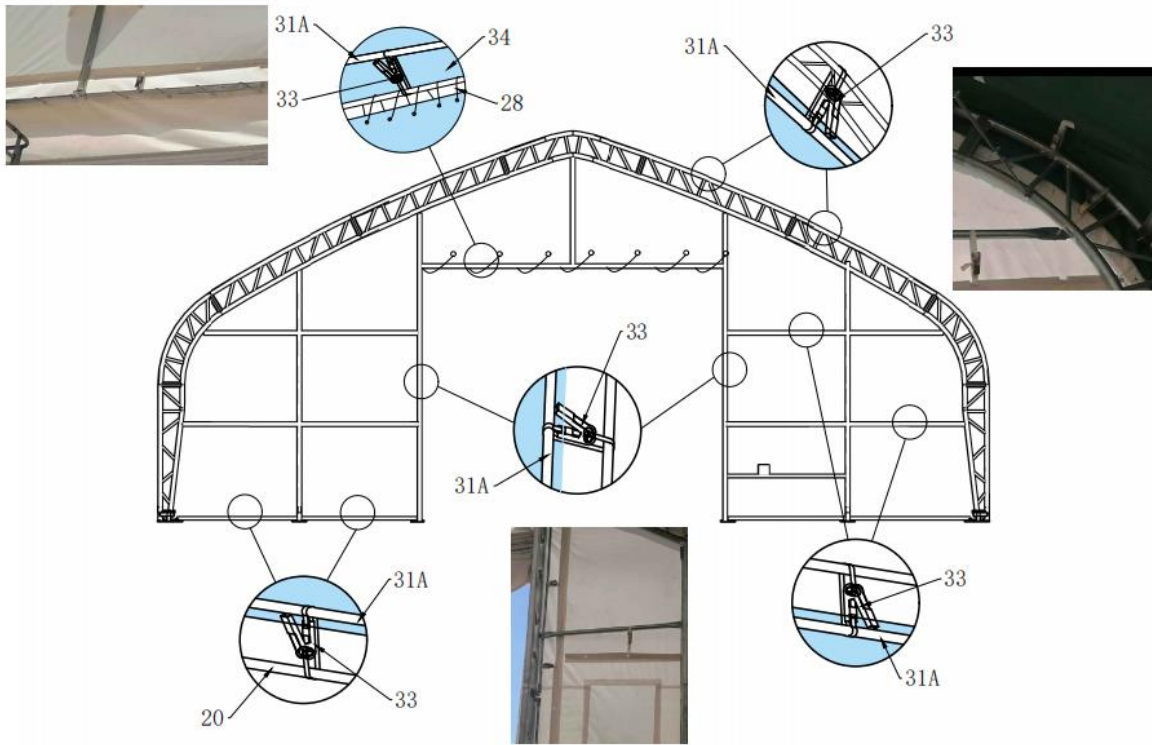
Do not tighten down the nuts completely until frame is fully assembled and set in place. the arches, the front and back panel should be assembled well on the ground before erected into the base flanges.

C-DOOR FRAME AND COVER INSTALLATION

1. Install the front and back door frame as Figure 6 shown.
Please find corresponding steel wire and bolts to connect together, and fix the end wall on the end arch by rope.



Front and Back Door Framework Figure 6



Front and Back Door Cover Figure 7

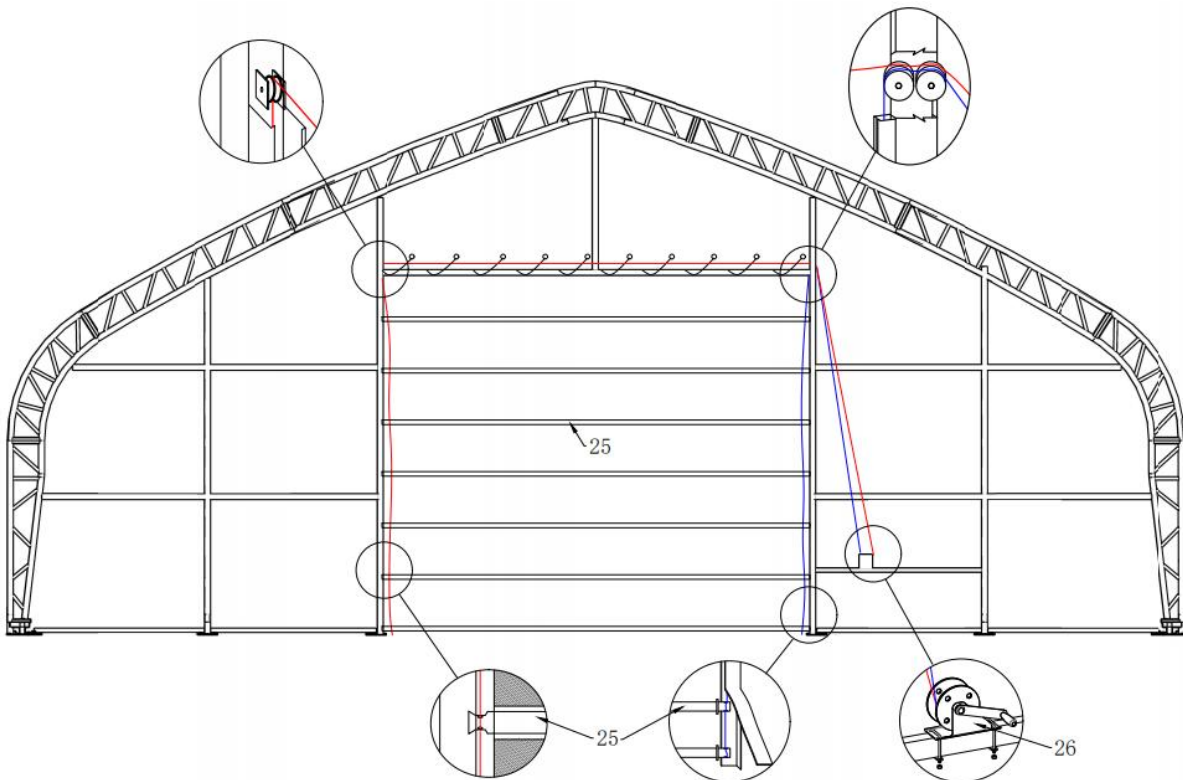


Figure 8

2. Spread the door cover (No. 34) on the ground, and insert the vertical support tube (No. 25) into the horizontal fabric pouch of the door cover.

3. Wrap the steel wire on the mechanical wheel (No.26). Then put it through the double pulley to the single pulley. The other end of steel wire through the double pulley directly.
4. Then let the installed steel wire go down through the hole on the vertical support tube (No.25) separately from top to bottom. Tie a knot in the bottom of vertical support tube, so it cannot pass back .
5. Erecting the whole door cover and fix it well on the frame by using rope.
6. Thus, the door can be open and close by operating the winch wheel.

D—ROOF COVER INSTALLATION

NOTE: DO NOT install the cover onto the frame of your building in high wind conditions. A slight breeze is the most advantageous for cover installation. To take advantage of the breeze, pull the cover up over the arches with the breeze blowing in the cover like a sail filled with air.

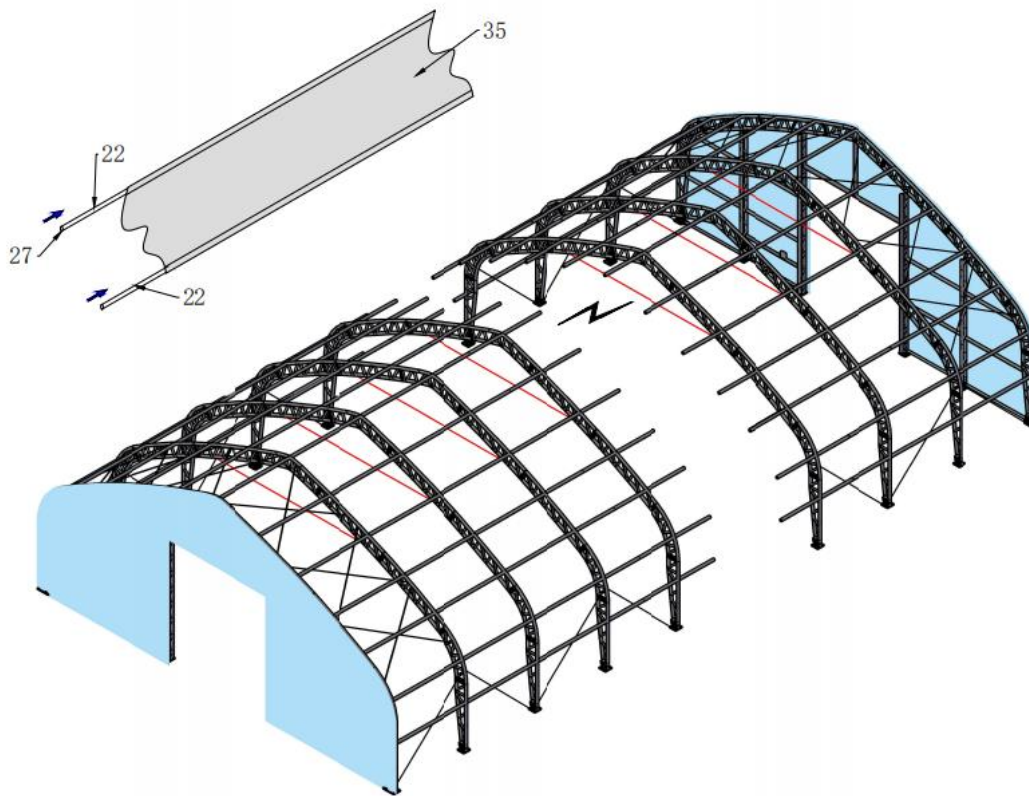


Figure 9

1. Spread the roof cover (No. 35) and lay parallel to one side of the frame.
2. Insert the tension tube (No. 22) into one side of roof cover only and cut some pockets which correspond to the position of ratchet. Then place the plastic plug (No. 27) on each end of tubes.
3. Attach the ropes and throw over the frame. Then pull the roof cover **EVENLY, CAREFULLY AND SLOWLY**.
4. Do not forget to insert PVC tube (No. 31) into the front and back ends of roof cover, and fix them by using small ratchet (No.33). Finally knit them using rope. (If the whole roof cover is made up by several pieces of small cover, please also insert PVC tube to two sides of each small cover and combine them by rope.)

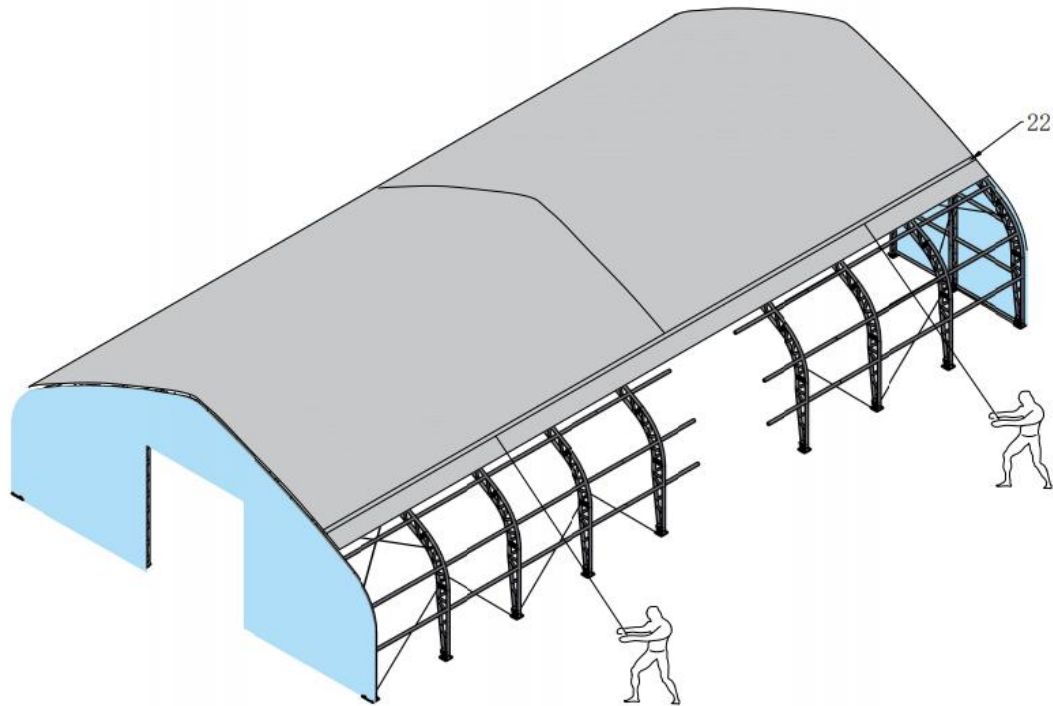


Figure 10 (5012023DP have 2 pcs of roof cover)

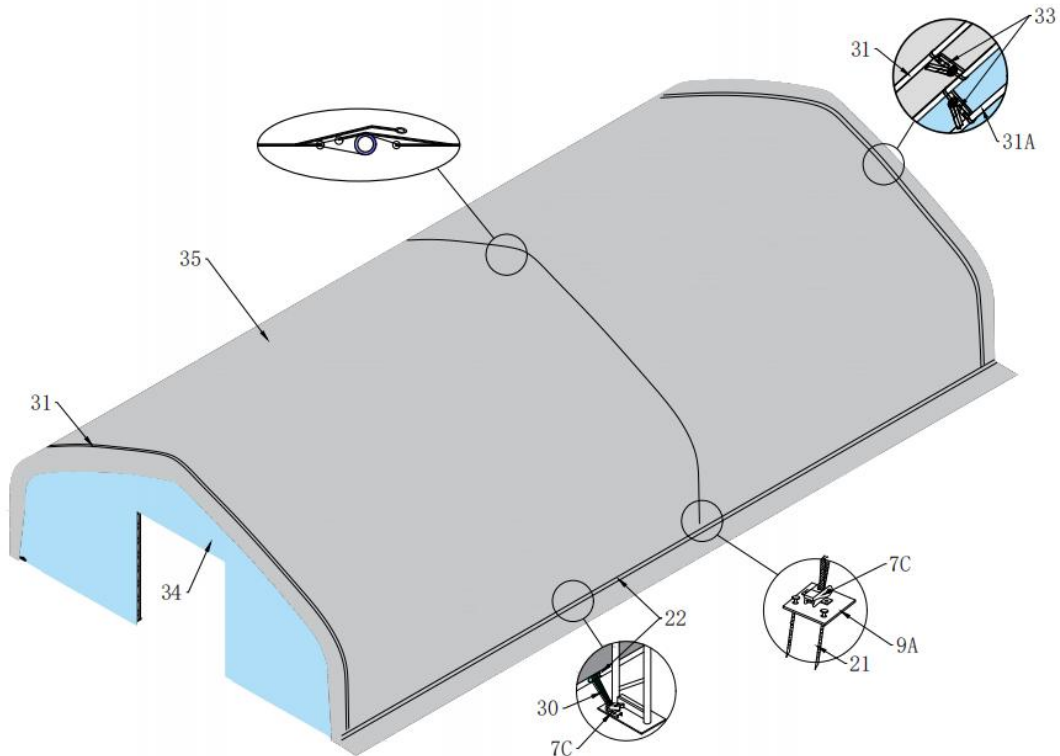


Figure 11 (5012023DP have 2 pcs of roof cover)

1. Pull the roof cover over the frame **EVENLY, CAREFULLY AND SLOWLY**. Insert the tension tubes for roof cover (No.22) and PVC tube (No. 31) into the two edges of roof cover pipe pockets and cut pockets respond to each inner base plate. Loosely secure the nylon band (No.30) in the ratchet (No.7C).

2. Install the plastic plug (No.27) into all the ends of tubes, then put on the roof cover (No.34) and knit it using ropes (No.28).
3. DO NOT TIGHTEN. Adjust the cover so that it is square and evenly centered on the frame. Put on and fix the roof cover together with front cover, as same as the back cover. Insert the bottom tension tube & PVC tube, fix them by using small ratchet (No.33). Finally knit them using rope as the figure above.

Note: The end flaps must overhang evenly at both ends.

With the end flaps flipped back and out of the way, use the supplied rope to tighten the roof cover to the end arches. The rope should be cut as your requirements when using. The recommended procedure is to use separate pieces of rope and start by first lacing the cover from the bottom edges up to the top center. Secure the ropes at the top center and tent apply tension as you lace down both sides. Fasten the rope at the bottom edge. Put the Band (No.30) onto the tubes where the notches are. Pull the Nylon Band through the reels of winches. Drive the Ratchet Tie Down forth and back, and then the roof cover is tightened.

NOW THE INSTALLATION IS FINISHED, PLEASE ASJUST THE BASE PLATES EVERY MONTH.

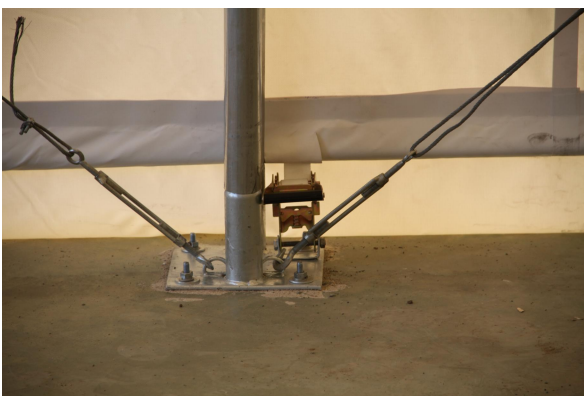
Please check the below installation detailed pictures:



(A)



(B)



(C)



(D)



(E)



(F)

NOTE: DO NOT LEAVE THE ROOF COVER UNATTACHED UNDER ANY CIRCUMSTANCES until the final assembly and tightening has been completed. The process is quite easy. But some tightening adjustments will be necessary to produce a flat, tension ed roof cover. Please adjust the roof cover every month.

Please Note:



Please use the tape wrapped around the gap between the steel skeleton after installing.