

SHELTER ASSEMBLY MANUAL

Model#P6010025P

(W60H25P SERIES)

Size: W18.3m x L30.5m x H7.6m



SPECIFICATION

Length:30.5m Width: 18.3m Height: 7.625m

Door dimension: W5.49xH4.88m

IMPORTANT----READ MANUAL FIRST

Improper site preparation, assembly and maintenance may invalidate warranty and cause unnecessary and costly mistakes. If you have any questions contact your local dealer.

For User Friendly assembly we have identified each individual component with the part code as indicated in the parts list. Please refer to the part code numbers and drawing to ensure problem free assembly.

It's necessary to tighten the roof fabric enough to avoid "hammocks" on the roof and also re-tighten once or twice again after a few months of use. This is important when assembly in cold weather (autumn and winter) because the fabric is stiff then and when we got the sun and warm weather afterwards it will make the fabric " slack " again and need to be re-tighten before next winter.

It's **the owners responsibility** to take of snow immediately if not slide of by itself.

READ ALL INSTRUCTIONS BEFORE ASSEMBLY

1. Keep work area clean. Cluttered areas invite injuries. Do not set up near snow drifts, in slippery places, in high winds, or wet location.
2. Keep children away. All children should be kept away from the work area. Be aware of personal safety. Be careful not to pinch fingers with clips and tubes when assembling: when using makes sure there is adequate ventilation for exhaust and other dangerous fumes.
3. Do not over reach. Keep proper footing and balance at all times.
4. Do not assemble if under the influence of alcohol or drugs. Read warning labels on prescription to determine if your judgment or reflexes are impaired while taking drugs. IF there is any doubt, do not assemble.
5. Be aware of possible windy conditions; fasten the base in concrete if these situations may occur. Remove the cover during hurricane.
6. Be careful with power and heat sources. Do not keep heat sources near the tarpaulin. Do not expose to open flame.
7. Be aware of personal safety during assembly and use .Be careful not to pinch fingers with clips and tubes when assembling when using makes sure there is adequate ventilation for exhaust and other dangerous fumes.

P6010025P Part list

Part	Description	QTY
1	Top roof tube	9
1A	Top roof tube for front and back door	2
2	Upper curving tube	18
2A	Upper curving tube for front and back door	4
3	Middle curving tube	18
3A	Middle curving tube for front and back door	4
4	Lower curving tube	18
4A	Lower curving tube for front and back door	4
5	Sidewalll curving tube	18
5A	Sidewalll curving tube for front and back door	4sets
6	Standing leg	22
7	Base plate at middle	18
7L	Base plate at left	2
7R	Base plate at right	2
7A	Small base plate for connection Roof cover	20
7B	Big base plate for connecting Roof cover at middle	2
7C	Stake peg	156
7D	Ratchet	48
8A	Base plate for Mechanical door	4
8B	Base plate on front and back door	8
9	Purlin	150
10L	Lower door track at left for front and back door	2
10R	Lower door track at right for back door	2
11L	Middle door track at left for front and back door	2
11R	Middle door track at right for front and back door	2
12L	Upper door track at left for front and back door	2
12R	Upper door track at right for front and back door	2
13	Lower standing leg at side for front and back door	6
13A	Lower standing leg at right for installing mechanical wheel washpipe	2
14L	Upper standing leg at left for front and back door	2
14R	Upper standing leg at right for front and back door	2
15L	Upper standing leg at left shoulder for front and back door	2
15R	Upper standing leg for right shoulder for front and back door	2
16	Purlin on front and back door	20

16A	Purlin at shoulder on front and back door	4
16B	Purlin on front to install mechanical wheel	2
17	Door beam on front and back door	2sets
17A	Vertical support tube for door beam on front and back door	2
18	Steel wire at side	20
19	Clips	70
19A	Triandle	10
20	Steel wire on top	24
20A	Steel wire lengthways on top	9
21	Base tensioning tube for front and back door	12
22	Base tensioning tube for Roof cover	2sets
23	Bolt 12X50	538
24	Bolt 10X80	181
25	Bolt 10X80 for front and back door	40
26	Tubes in door	16
27	Mechanical door	2
28	φ 32 cap	28
29	Rope	1
30	Handle kit	2
31	Band for tie down ratchet	42
32	PVC tube	4sets
33	Bolt 10X30	64
34	Small ratchet	60
35	Roof cover	2
36	Front and Back cover	2

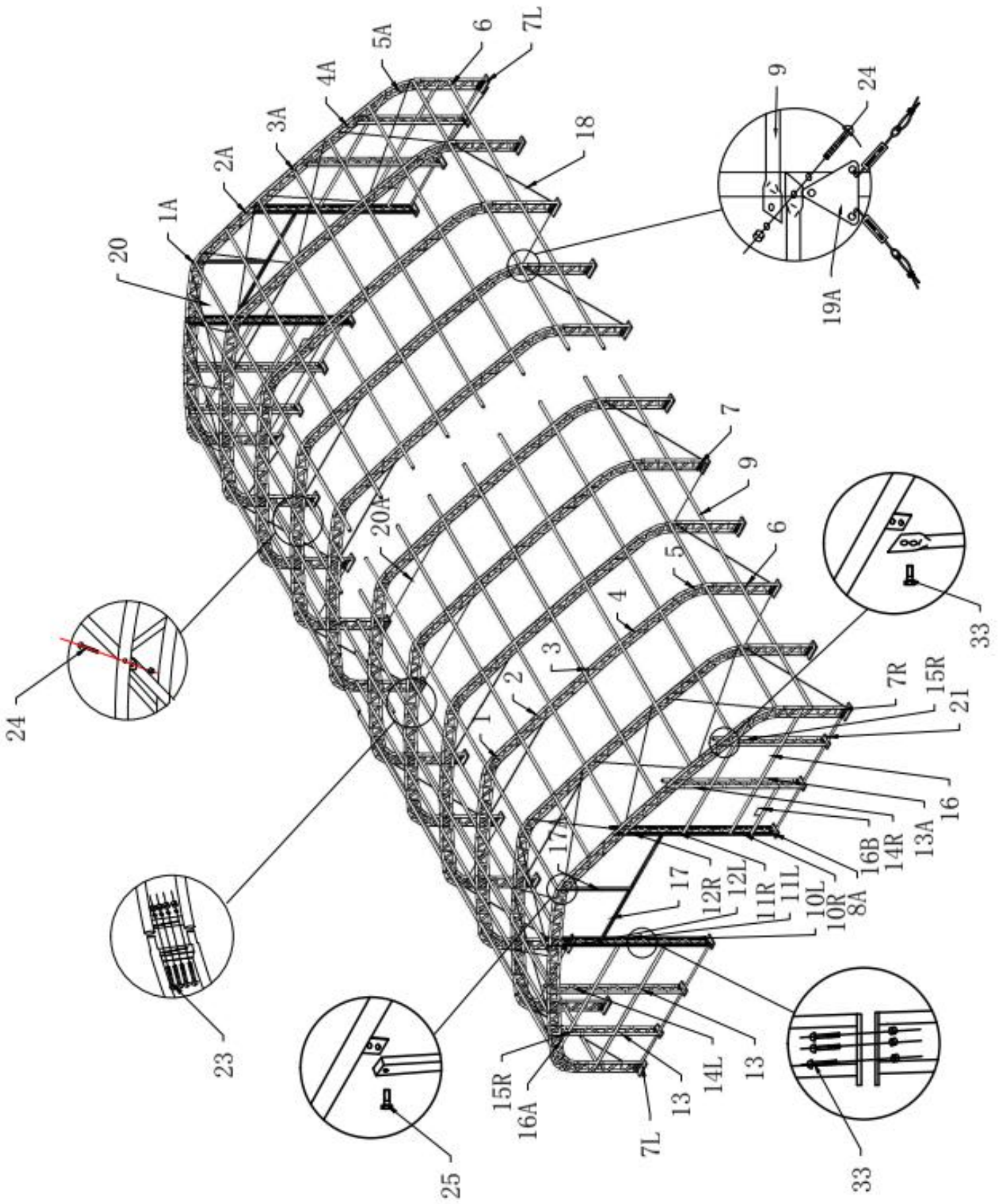


Figure 1: Sketch of trussed frame
 Size: L36.6xW18.3xH7.625m

A: EQUIPMENT AND TOOLS FOR INSTALLATION

1. Measuring Tape
2. String for alignment
3. Stake
4. Ladder or Scissors Lift
5. Sledge Hammer
6. Drill
7. Wrench
8. Knife
9. Hoist

INSTALLATION PROCESS

A---BASE INSTALLATION

Please refer to the diagram (Figure 2) to place the base plates:

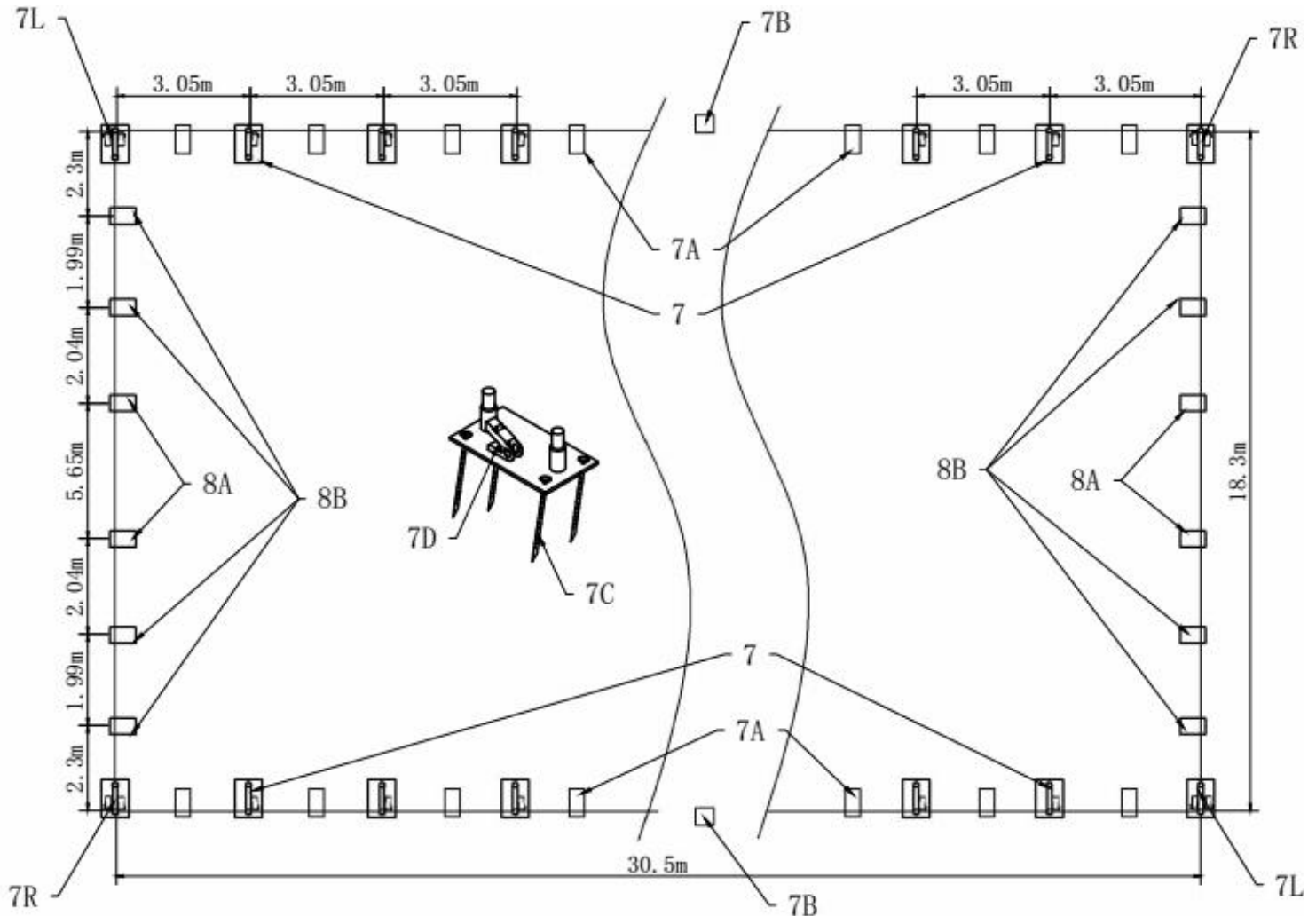


Figure 2 Foundation placement

1. The measurement is from center to center of tubes on the base plates. Referring to the above diagram and confirm the place of base plates. There are four holes on the plates for stake pegs.
2. Mark the stake peg hold through the base plate by using the stake peg. Move the base plates away and the mark determines where the stake peg will be.

Note: The stake peg apply for normal conditions, not suitable to the rock ground ,frozen soil and concrete ground.

B---FRAME INSTALLATION

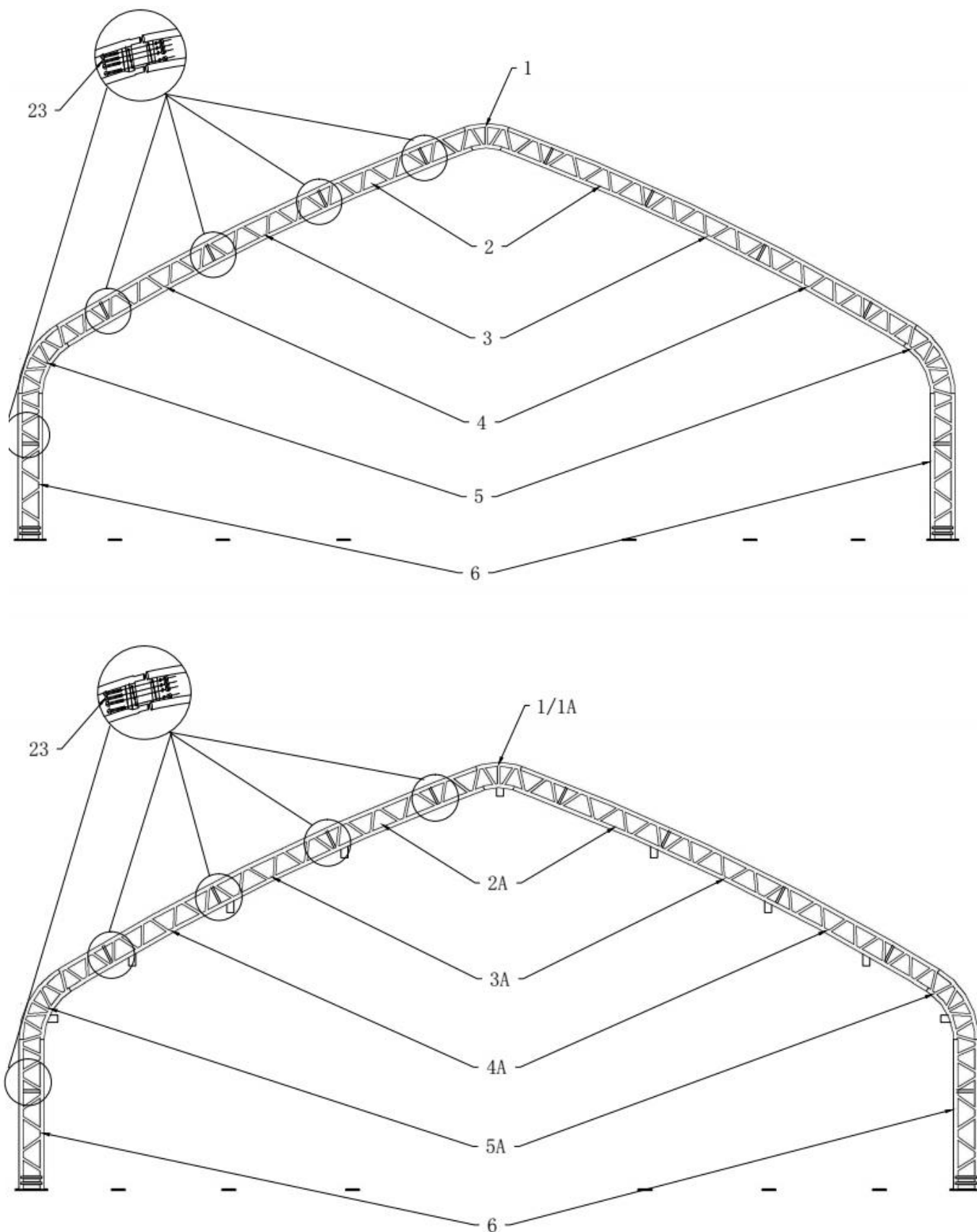


Figure 3

1. Figure 3 shows to connect the Top roof tube(No.1/No.1A),Upper curving tube(No.2/No.2A),Middle curving tube(No.3/No.3A), Lower curving tube(No.4/No.4A) ,Sidewall curving tube (No.5/No.5A)and Standing leg(No.6) with Bolt M12x50(No.23),which makes in one arch, then put the arch into tube of Base plate by Hoist, and assemble every group of arch by turns.(see Figure 3).

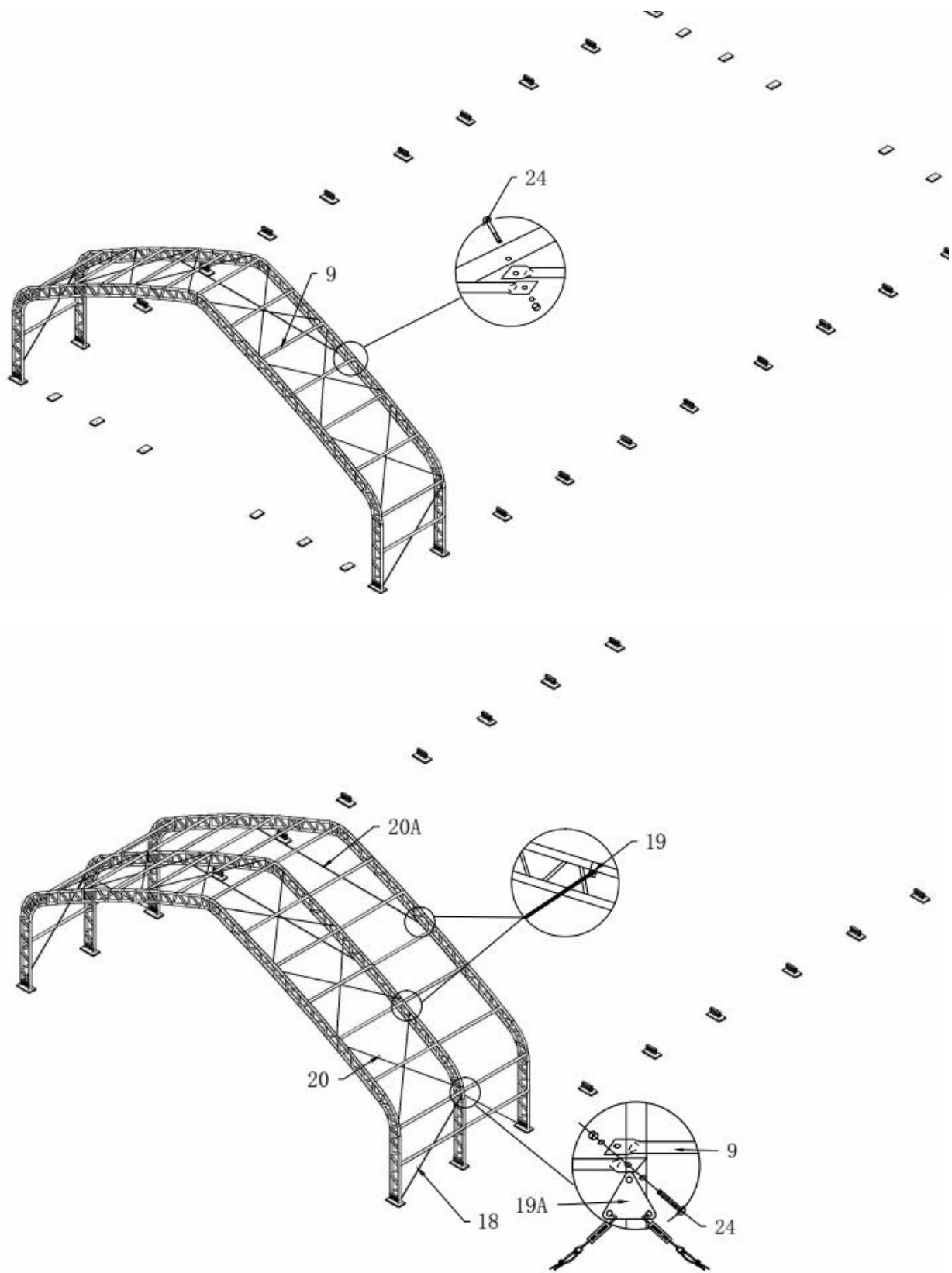


Figure 4

Do not install the bolts on top of the truss where the fabric will rest.

2. Connect Purlin(No.9) to arch by using Bolt 12x80(No.24) by turns(see Figure 4), then connect the Steel wire(No.18 and No.20) on top and side by using Clips(No.19) and Triangle(No.19A)(see Figure 4)

Do not tighten down the nuts completely until frame is fully assembled and set in place, the arches, the front and back panel should be assembled well on the ground before erected into the Base plate.

C--- INSTALLING FRONT AND BACK COVER

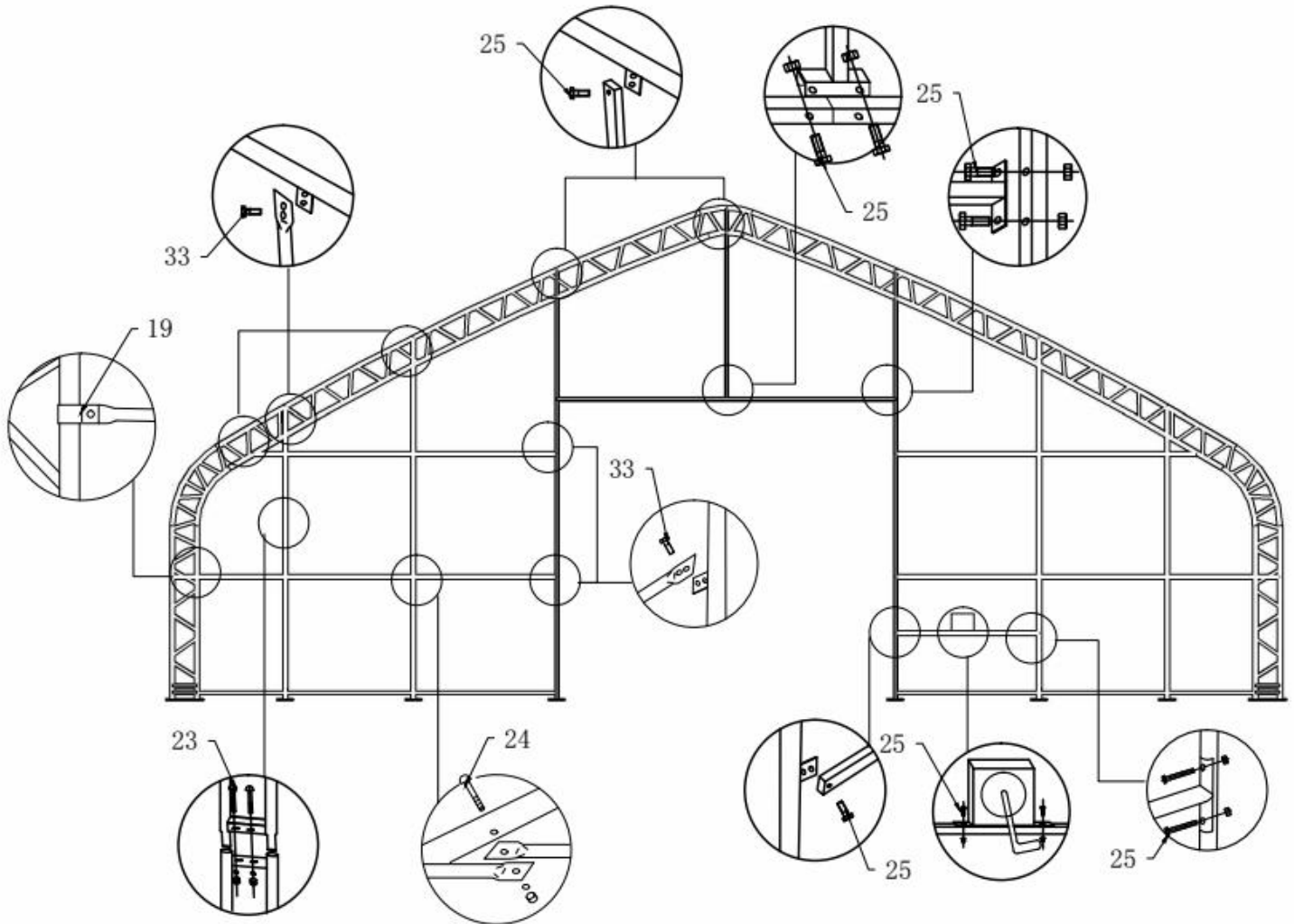
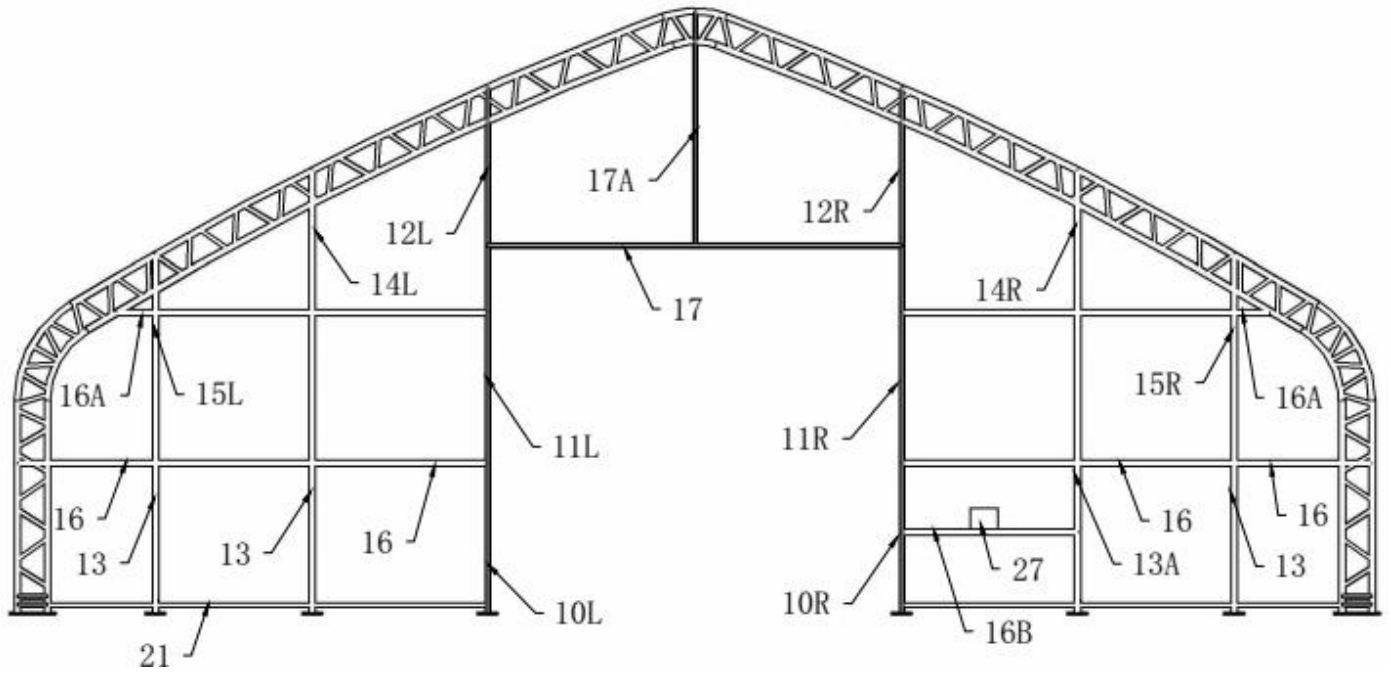


Figure 5

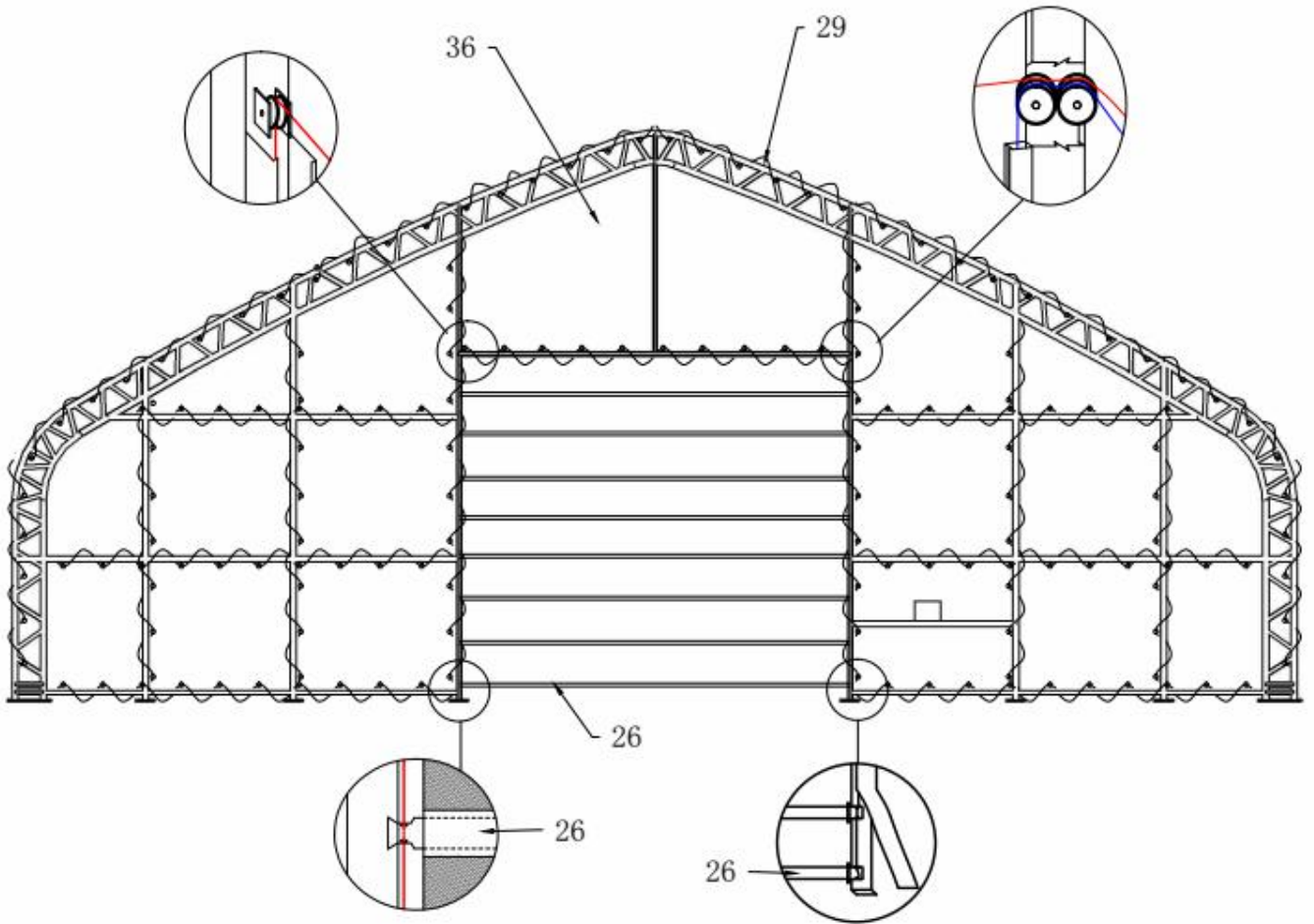


Figure 6

1. Inset the tubes in door (Part NO.26) into front and back Mechanical door through the pockets on covers (see Figure 5), assemble the front door by using Bolt 10x80 (NO.25), and Clips (No.19), make the cover well fold to the frame and tension the cover, finally tidy the front door covers by using Rope (No.29).

2. Same way to assemble the Back door. (See Figure 5,6)

D--- INSTALLING THE ROOF COVER

NOTE: Do not install the cover onto the frame of your building in high wind conditions.

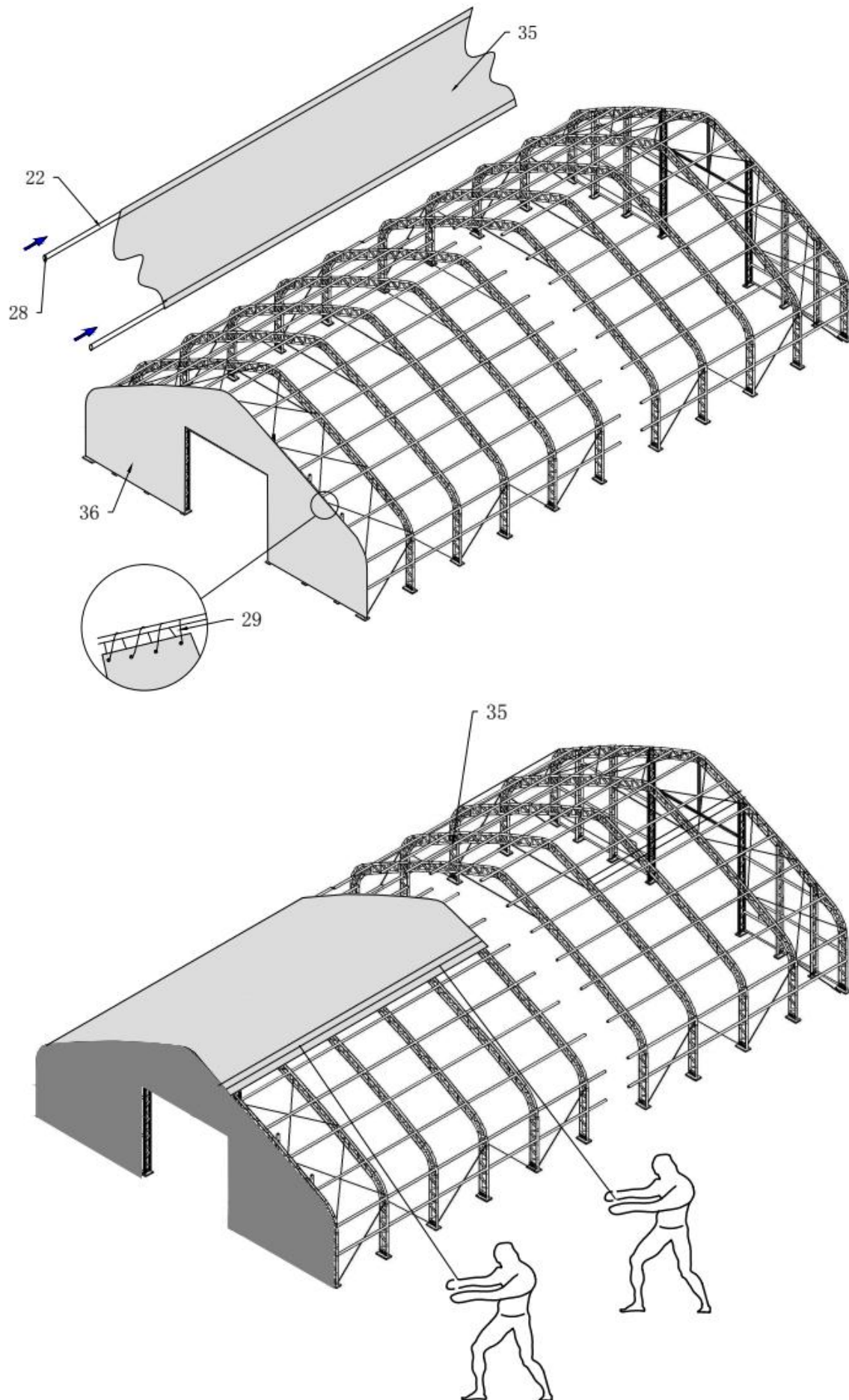


Figure 7

1. As Figure 7 shows, when two pieces of Roof cover is over top of Frame assembly (see Figure 7), insert the PVC tube(Part No.32)into pockets along both sides of Roof cover, find the Small ratchet(Part NO.34) to connect on PVC tube in Roof cover by parts.(see Figure 8).
2. Align one side of Roof cover evenly front to back, and band(No.31) for tie down ratchet at each point along the cover opening, put band for tie down ratchets over cover tensioning tubes at each base plate alone one side.

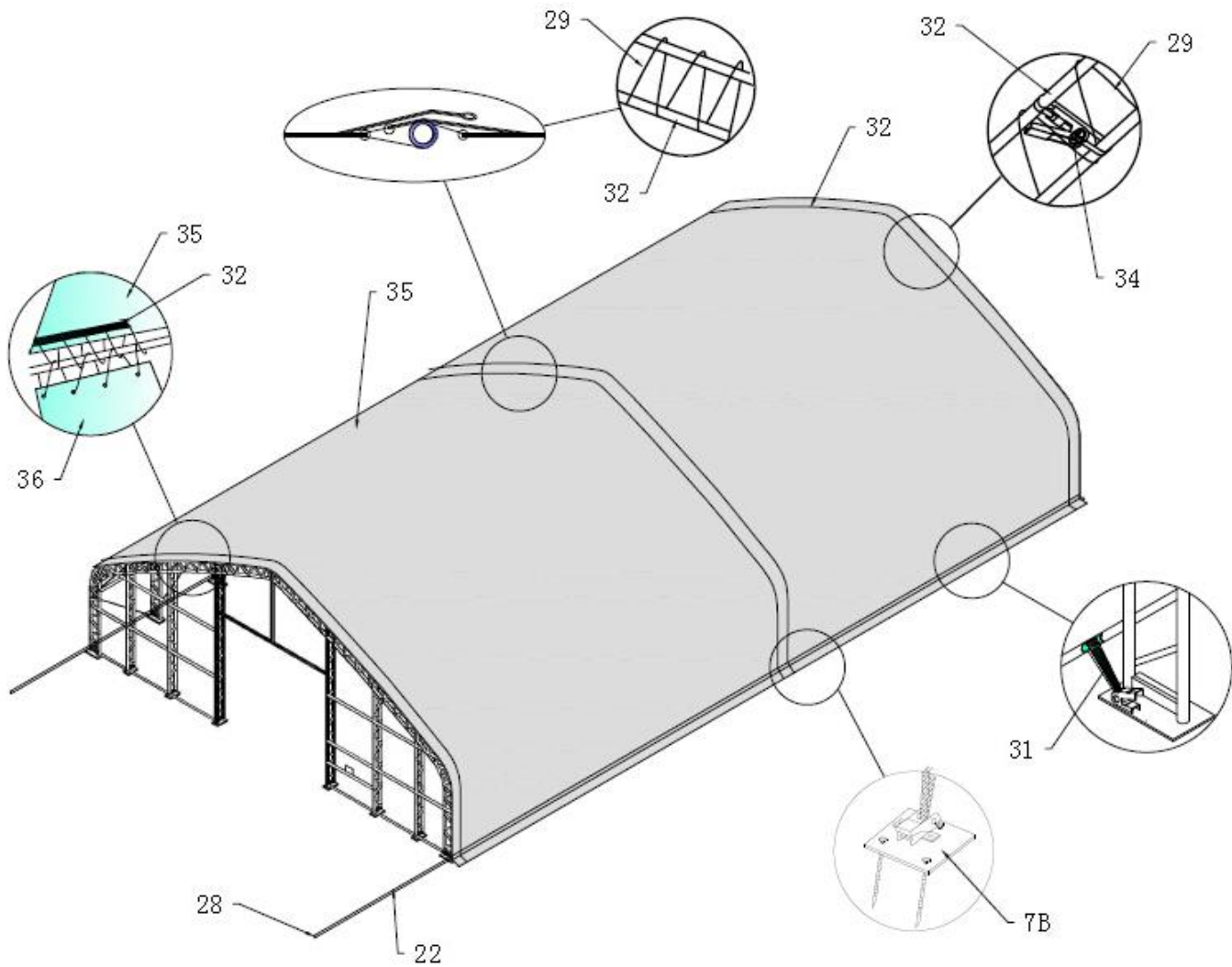


Figure 8

3. Insert the Tensioning tubes(No.22),make the Roof cover well fold to the frame ,then put the Plastic caps(No.28) to end of tensioning tubes.(see Figure 8),then fix the ropes on frame by turns.

Bands do not attach to tensioning tubes, but loop around and secure at both ends on ratchet.

- 4.The roof cover is tensioned from front to back by the rope lacing to grommet flaps inside the main cover, inside the unit at both front and rear arches. using the rope provided ,lace the main cover grommet flap around the main frame front and rear arch pieces, start in the top middle of each arch, and lace to each side .add rope length by tying pieces together or cutting as necessary.

CONGRATULATIONS:

NOW YOUR ASSEMBLY IS COMPLETED.