

# **SHELTER ASSEMBLY MANUAL**

## **Model#7012028P**

### **(W70H28P SERIES)**

**Size: W21.35m x L36.6m x H8.54m**



## **SPECIFICATION**

Length:36.6m      Width: 21.35m      Height: 8.54m

Door dimension: W5.49xH4.89m

## **IMPORTANT----READ MANUAL FIRST**

Improper site preparation, assembly and maintenance may invalidate warranty and cause unnecessary and costly mistakes. If you have any questions contact your local dealer.

For User Friendly assembly we have identified each individual component with the part code as indicated in the parts list. Please refer to the part code numbers and drawing to ensure problem free assembly.

It's necessary to tighten the roof fabric enough to avoid "hammocks" on the roof and also re-tighten once or twice again after a few months of use. This is important when assembly in cold weather (autumn and winter) because the fabric is stiff then and when we got the sun and warm weather afterwards it will make the fabric " slack " again and need to be re-tighten before next winter.

It's **the owners responsibility** to take of snow immediately if not slide of by itself.

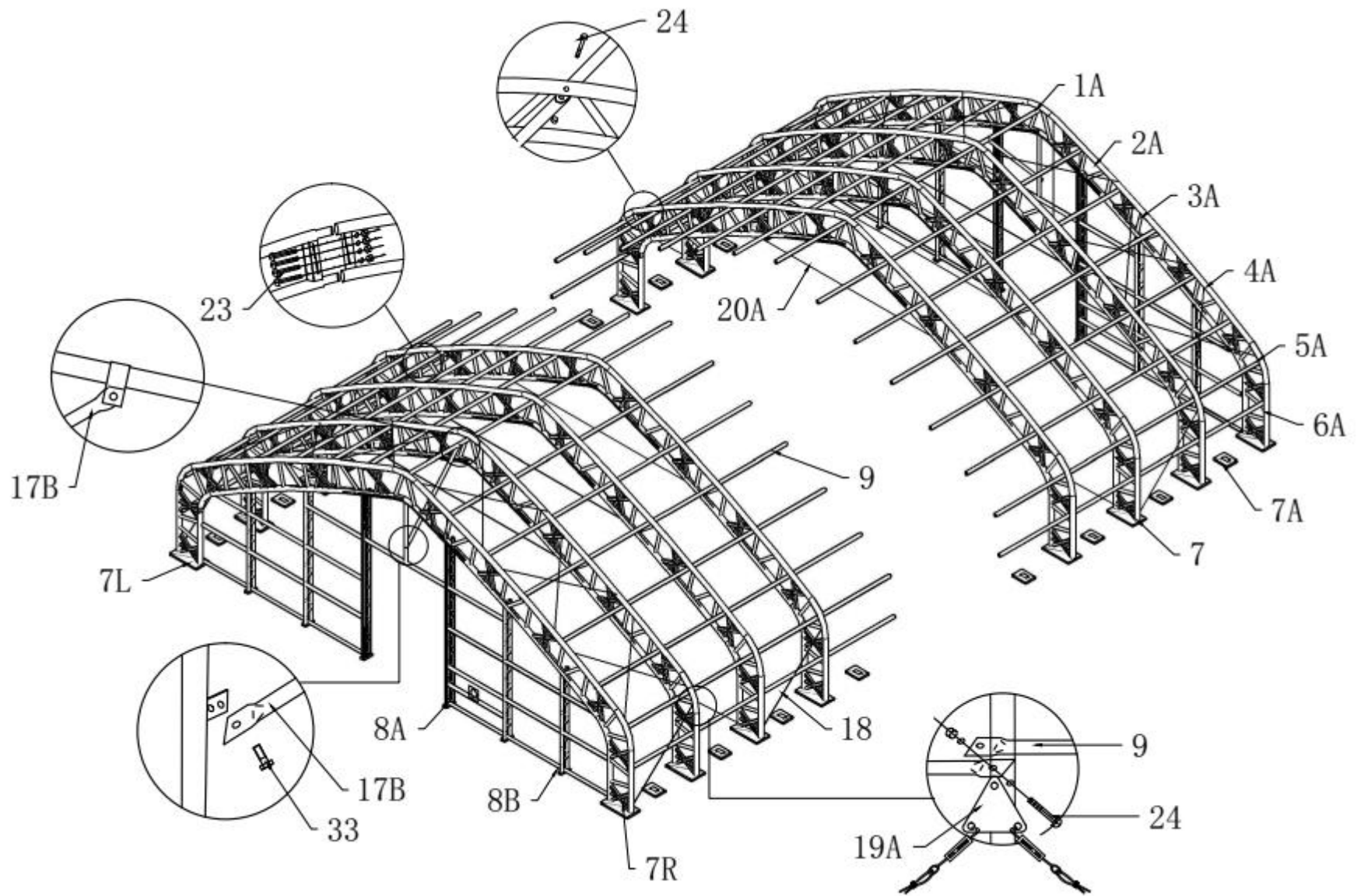
## **READ ALL INSTRUCTIONS BEFORE ASSEMBLY**

1. Keep work area clean. Cluttered areas invite injuries. Do not set up near snow drifts, in slippery places, in high winds, or wet location.
2. Keep children away. All children should be kept away from the work area. Be aware of personal safety. Be careful not to pinch fingers with clips and tubes when assembling: when using makes sure there is adequate ventilation for exhaust and other dangerous fumes.
3. Do not over reach. Keep proper footing and balance at all times.
4. Do not assemble if under the influence of alcohol or drugs. Read warning labels on prescription to determine if your judgment or reflexes are impaired while taking drugs. IF there is any doubt, do not assemble.
5. Be aware of possible windy conditions; fasten the base in concrete if these situations may occur. Remove the cover during hurricane.
6. Be careful with power and heat sources. Do not keep heat sources near the tarpaulin. Do not expose to open flame.
7. Be aware of personal safety during assembly and use .Be careful not to pinch fingers with clips and tubes when assembling when using makes sure there is adequate ventilation for exhaust and other dangerous fumes.

## 21.35x30.5x8.54m part list

Part		Quantity
1	Top bent tube	11
1A	Top bent tube for both doors	2
2	Upper bent tube	22
2A	Upper bent tube for both doors	4
3	Middle bent tube	22
3A	Middle bent tube for both doors	4
4	Lower bent tube	22
4A	Lower bent tube for both doors	4
5	Shoulder bent tube	22
5A	Shoulder bent tube for both doors	4Group
6	Lower standing leg	22
6A	Lower standing leg for both doors	4
7	Inner sidewall base plate	22
7L	Left base plate for corners	2
7R	Right base plate for corners	2
7A	Small base plate	24
7B	Base plate for connecting cover and ratchet	2
7C	Stake peg	180
7D	Ratchet	56
8A	Inner base plate for both doors	4
8B	Side base plate for both doors	8
9	Purlin	180
10L	Left lower door track for both doors	2
10R	Right lower door track for both doors	2
11L	Left middle door track for both doors	2
11R	Right middle door track for both doors	2
12L	Left upper door track for both doors	2
12R	Right upper door track for both doors	2
13	Side lower standing leg for both doors	6
13A	Side lower standing leg for back door mechanical wheel	2
14L	Left side upper standing leg for both doors	2
14R	Right side upper standing leg for both doors	2
15L	Left upper shoulder bent tube standing leg for both doors	2
15R	Right upper shoulder bent tube standing leg for both doors	2
16	Horizontal tube for both doors	20
16A	Shoulder horizontal tube	4
16B	Horizontal tube for mechanical wheels	2
16C	Side horizontal tube for both doors	4
17	Hotizontal tube for both doors' roof	2Group
17A	Vertical tube for both doors'roof	2
17B	Support tube for both doors	2
18	Steel wire for wide wall	24

19	Clips	72
19A	Angel	14
20	Across steel wire	24
20A	Top steel wire	11
21	Bottom tension tube for both doors	12
22	Tension tube for cover	2Group
23	12*50mm Screw	616
23A	12X30	38
24	M12*100mm Screw	200
25	10*90mm Screw	48
25A	M10*80mm Screw	26
26	Steel tubes in Mechanical doors	16
27	Mechanical wheels	2
27A	Steel wire for mechanical wheels	2
28	Plugs	30
29	Rope	1
30	Wrench	2
31	Band for tie down ratchet	50
32	PVC tube	4 groups
33	10*30mm screw	68
34	Small ratchet	22
35	Roof cover	2
36	Cover for both doors	2



**Figure 1:Sketch of trussed frame**  
**Size: W21.35mxL45.75mxH8.54m**

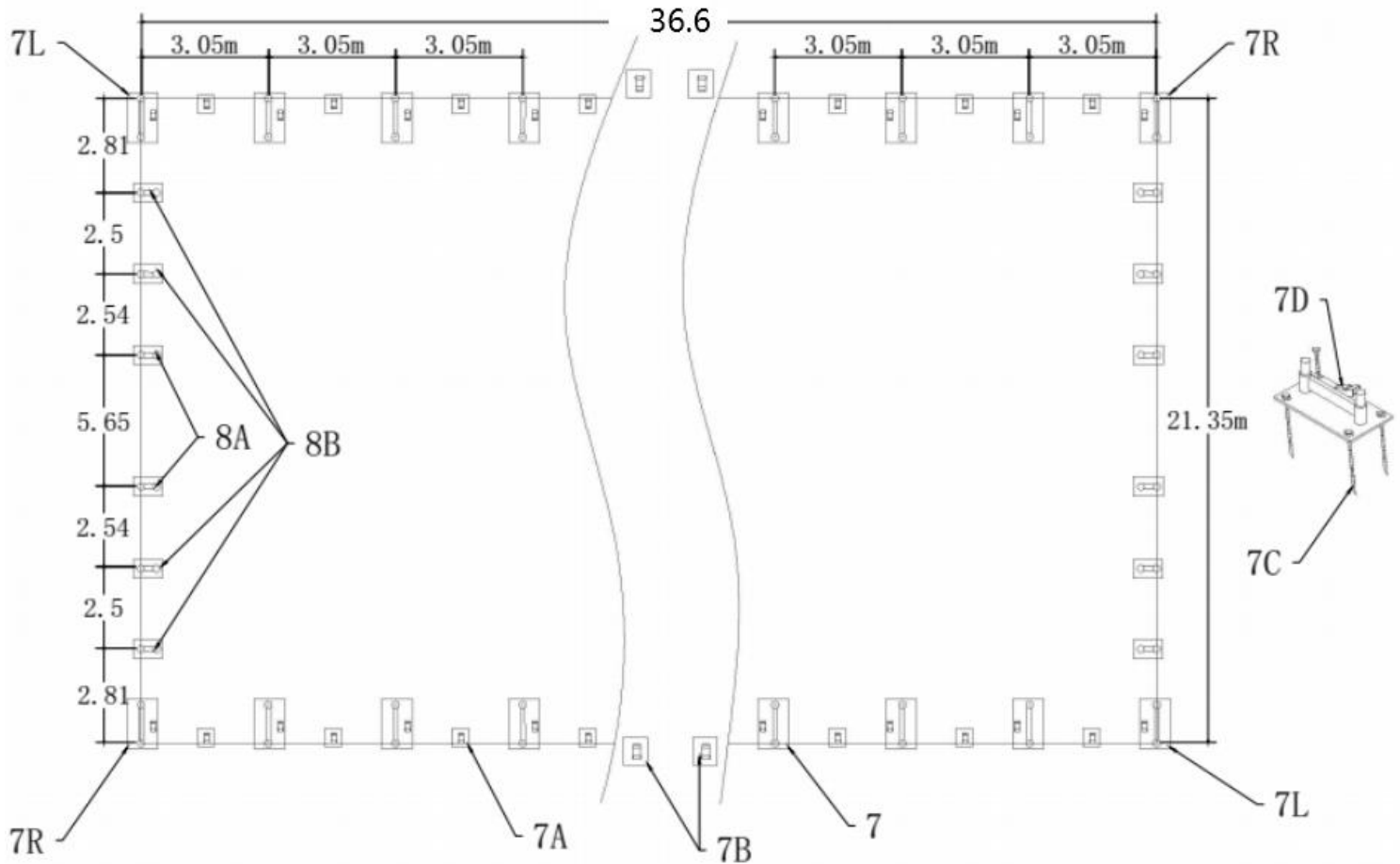
## A: EQUIPMENT AND TOOLS FOR INSTALLATION

- |                   |                            |
|-------------------|----------------------------|
| 1. Measuring Tape | 2. String for alignment    |
| 3. Stake          | 4. Ladder or Scissors Lift |
| 5. Sledge Hammer  | 6. Drill                   |
| 7. Wrench         | 8. Knife                   |
| 9. Hoist          |                            |

## INSTALLATION PROCESS

### A----BASE INSTALLATION

Please refer to the diagram (Figure 2) to place the base plates:

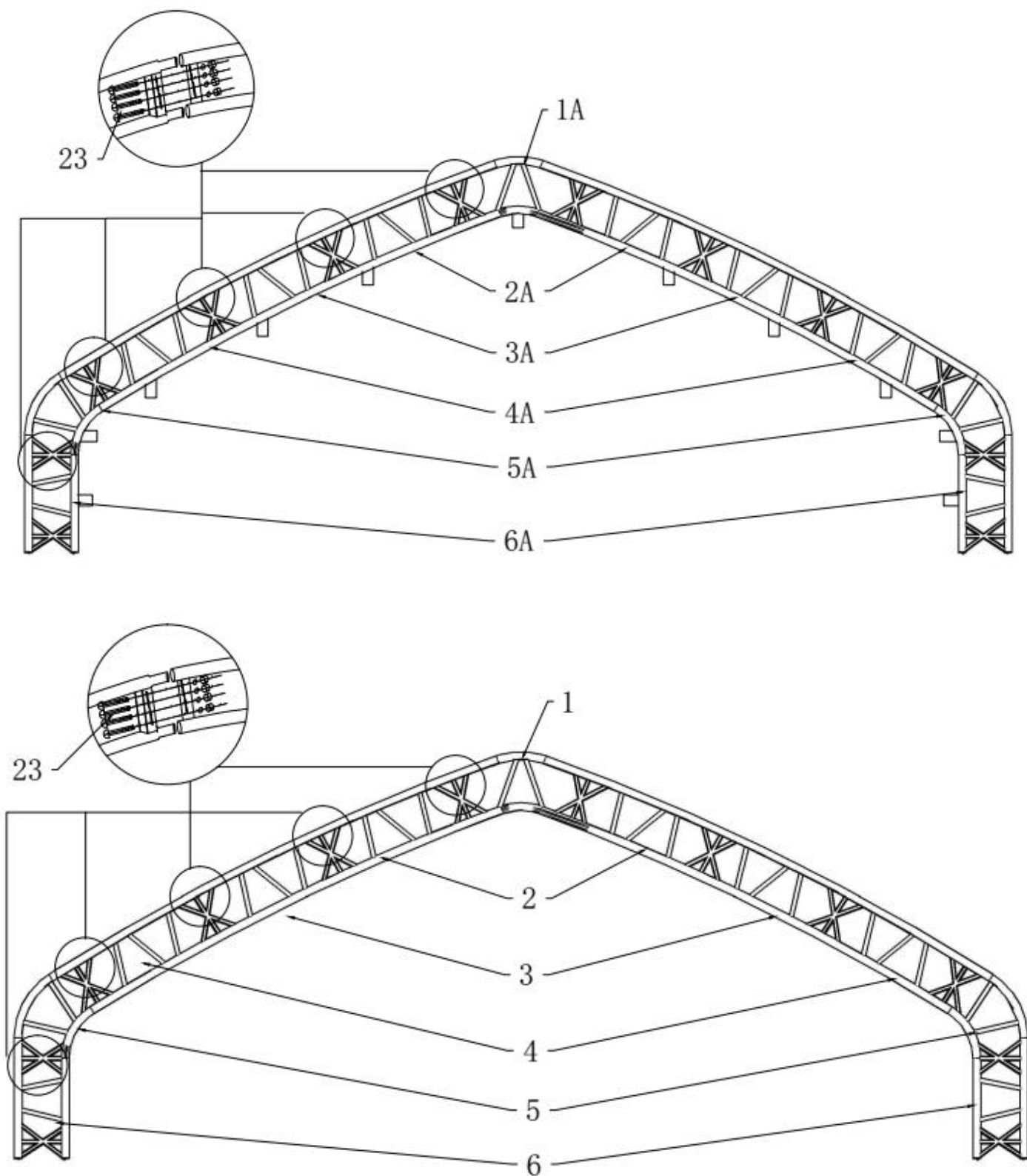


**Figure 2 Foundation placement**

1. The measurement is from center to center of tubes on the base plates. Referring to the above diagram and confirm the place of base plates. There are four holes on the plates for stake pegs.
2. Mark the stake peg hold through the base plate by using the stake peg. Move the base plates away and the mark determines where the stake peg will be.

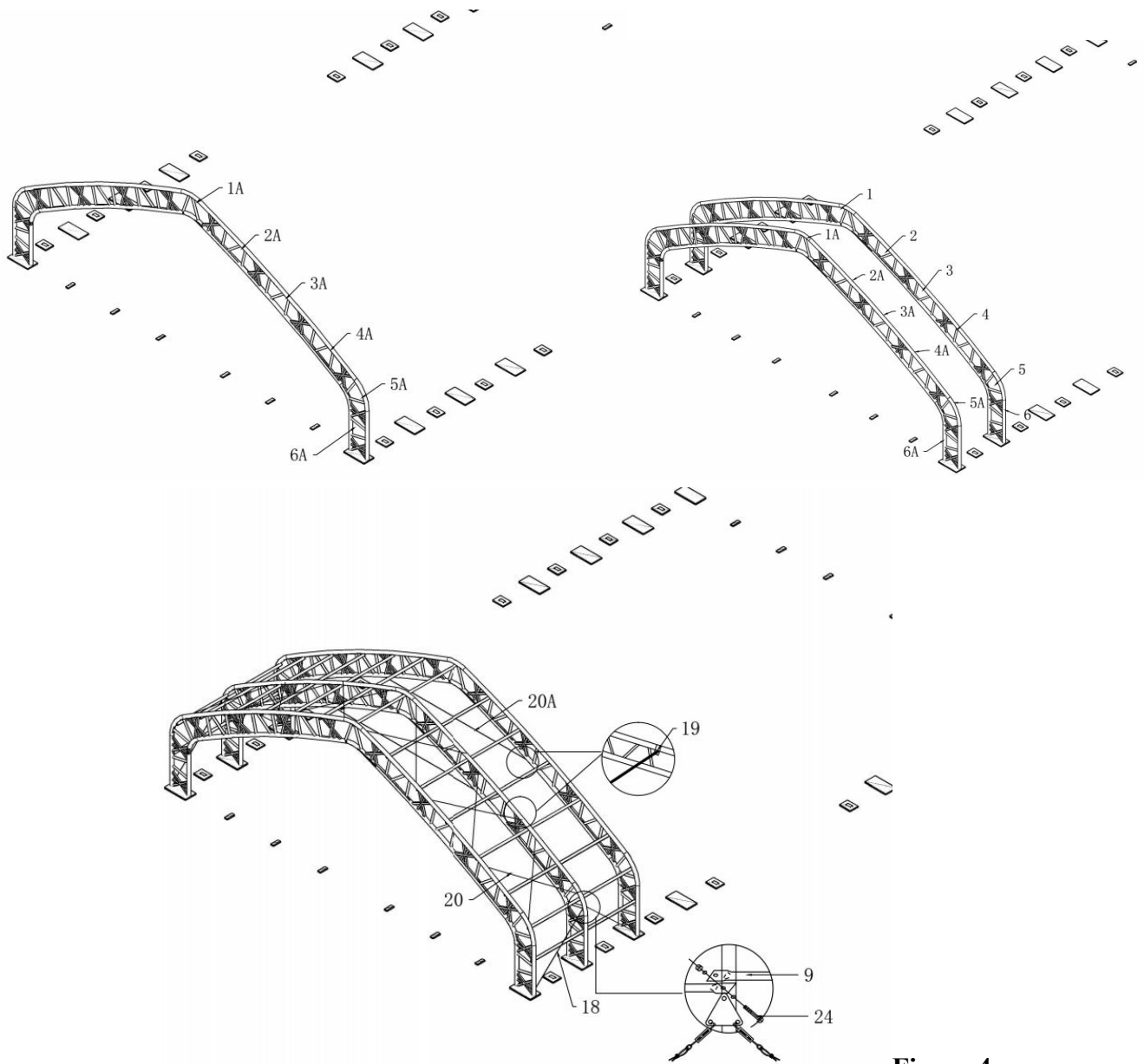
**Note: The stake peg apply for normal conditions, not suitable to the rock ground ,frozen soil and concrete ground.**

## B---FRAME INSTALLATION



**Figure 3**

1. Figure 3 shows to connect the Top bent tube (No. 1/No. 1A), Upper bent tube (No. 2/No. 2A), Middle bent tube (No. 3/No. 3A), Lower bent tube (No. 4/No. 4A), Shoulder bent tube (No. 5/No. 5A) and Standing leg (No. 6) with Screw M12x50 (No. 23), which makes in one arch. Do not install the bolts on top of the truss frame where the fabric will rest.



**Figure 4**

2. Put the arch into tube of Base plate by Hoist, and assemble every group of arch by turns.(see Figure 4).
3. Connect Purlin(No.9) to arch by using Screw12x100mm(No.24) by turns(see Figure 4),then connect the Steel wire(No.18 , No.20 and No.20A) on side and top by using Clips(No.19) and Triangle(No.19A)(see Figure 4)

**Do not tighten down the nuts completely until frame is fully assembled and set in place, the arches, the front and back panel should be assembled well on the ground before erected into the Base plate.**



# C--- INSTALLING FRONT AND BACK DOOR'S FRAME

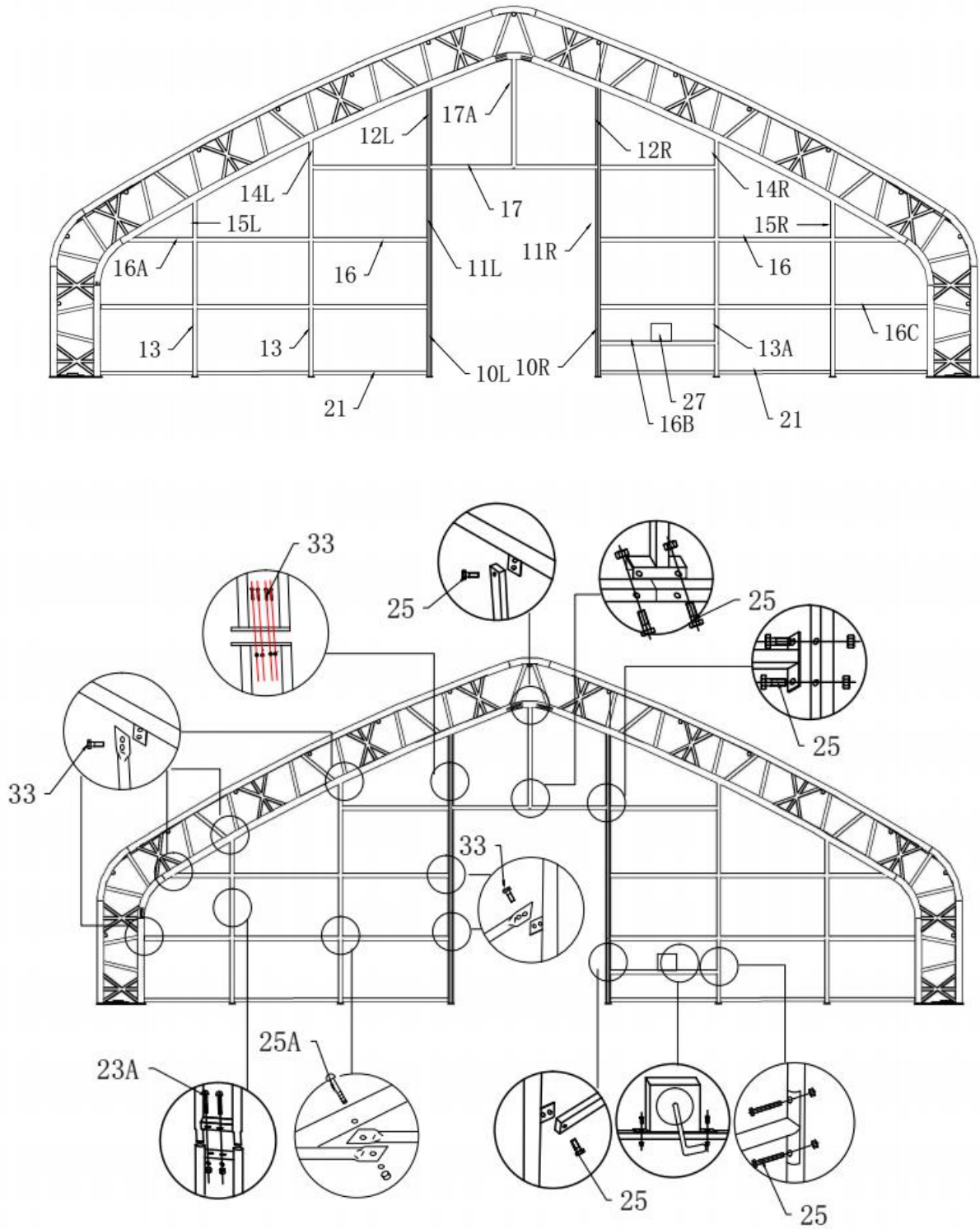


Figure 6

## D--- INSTALLING THE DOOR'S COVER

**NOTE: Do not install the cover onto the frame of your building in high wind conditions.**

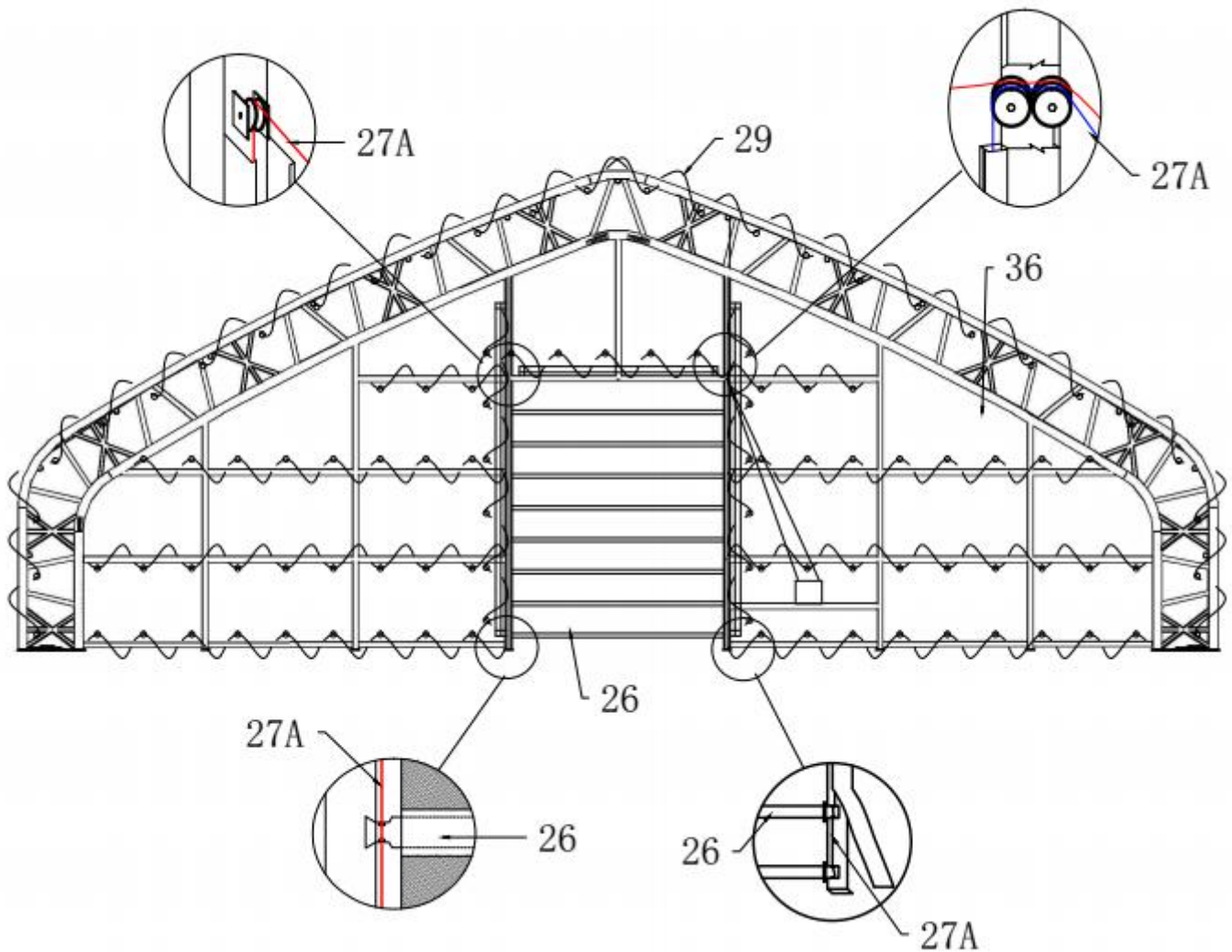
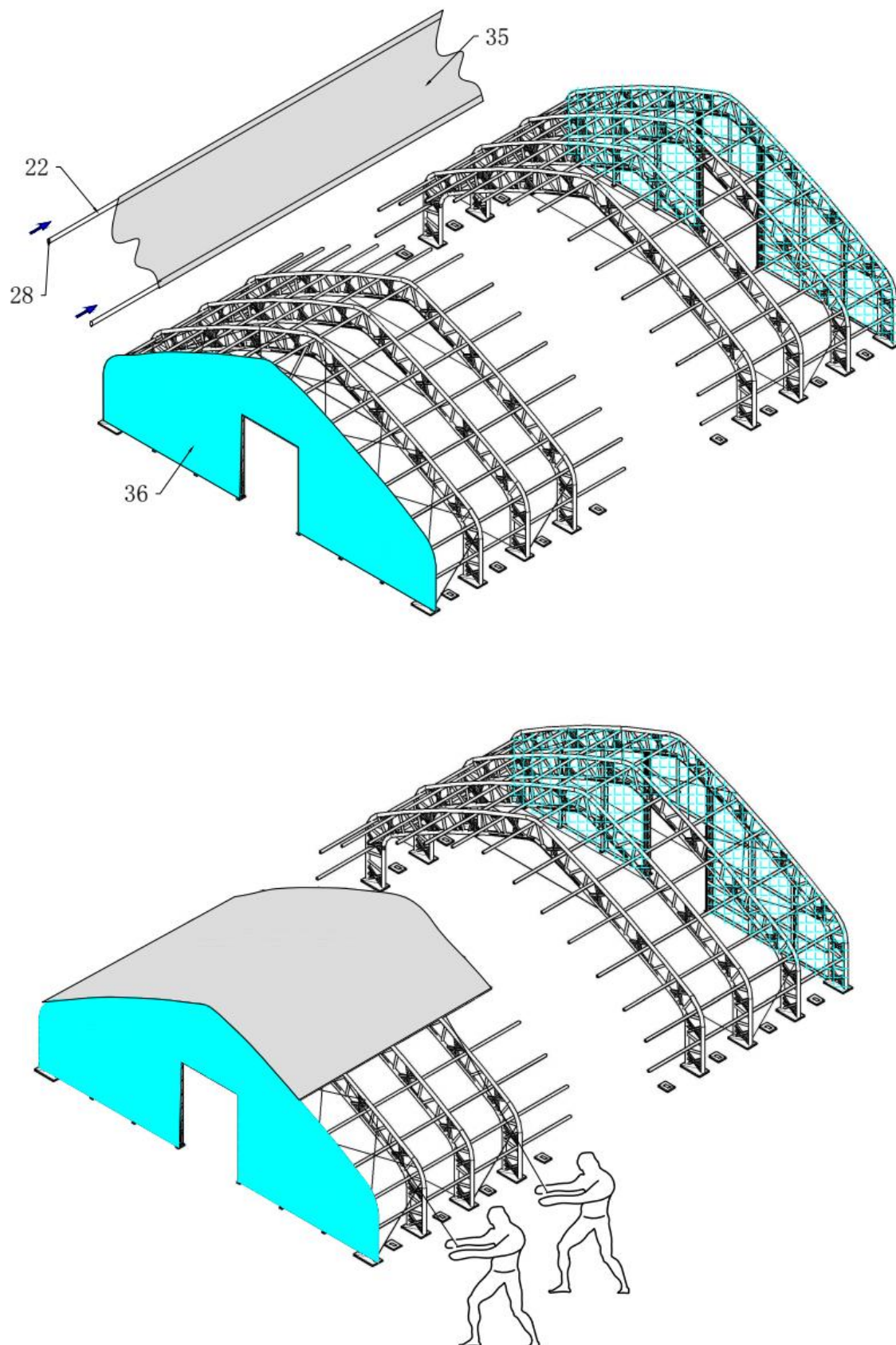


Figure 5

1. Inset the tubes in door (Part NO.26) into front and back Mechanical door through the pockets on covers (see Figure 5), assemble the front door by using Bolt 10x90 (NO.25), and Clips (No.19), make the cover well fold to the frame and tension the cover, finally tidy the front door covers by using Rope (No.29).

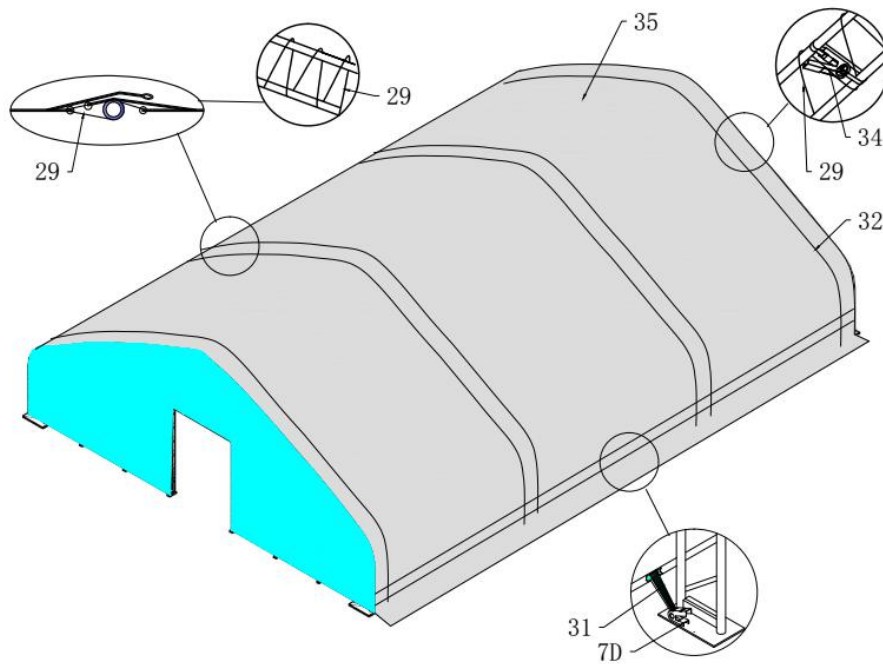
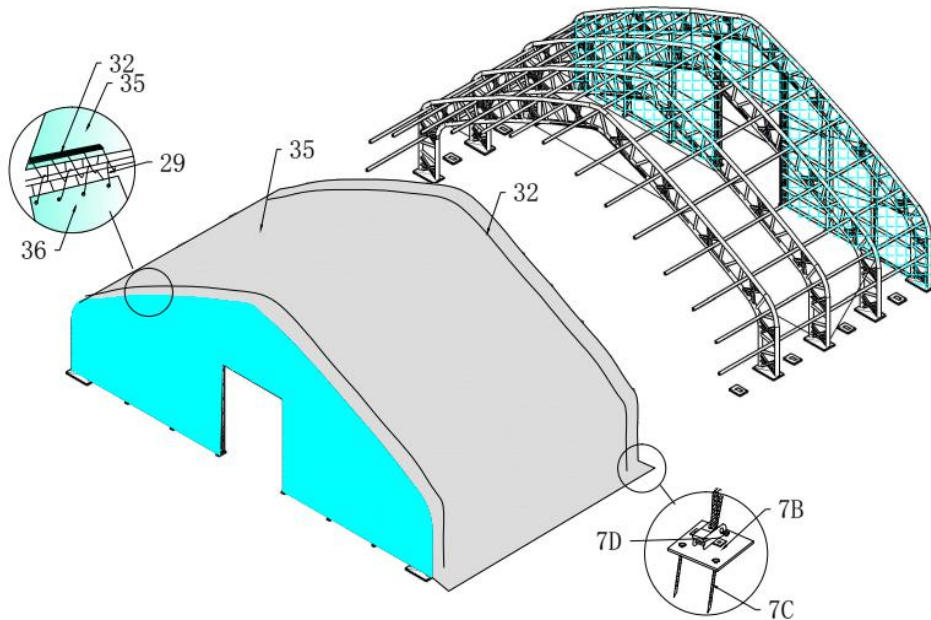
2. Same way to assemble the Back door. (See Figure 5)

## D--- INSTALLING THE TOP COVER



**Figure 7**

1. As Figure 7 shows, when two pieces of Roof cover is over top of Frame assembly (see Figure 7), insert the PVC tube(Part No.32)into pockets along both sides of Roof cover, find the Small ratchet(Part NO.34) to connect on PVC tube in Roof cover by parts.(see Figure 8).
2. Align one side of Roof cover evenly front to back, and band(No.31) for tie down ratchet at each point along the cover opening, put band for tie down ratchets over cover tensioning tubes at each base plate along one side.



**Figure 8**

3 .Insert the Tensioning tubes(No.22),make the Roof cover well fold to the frame ,then put the Plastic caps(No.28) to end of tensioning tubes.(see Figure 8),then fix the ropes on frame by turns.

**Bands do not attach to tensioning tubes, but loop around and secure at both ends on ratchet.**

4.The roof cover is tensioned from front to back by the rope lacing to grommet flaps inside the main cover, inside the unit at both front and rear arches. using the rope provided ,lace the main cover grommet flap around the main frame front and rear arch pieces, start in the top middle of each arch, and lace to each side .add rope length by tying pieces together or cutting as necessary.

**CONGRATULATIONS:**

**NOW YOUR ASSEMBLY IS COMPLETED.**