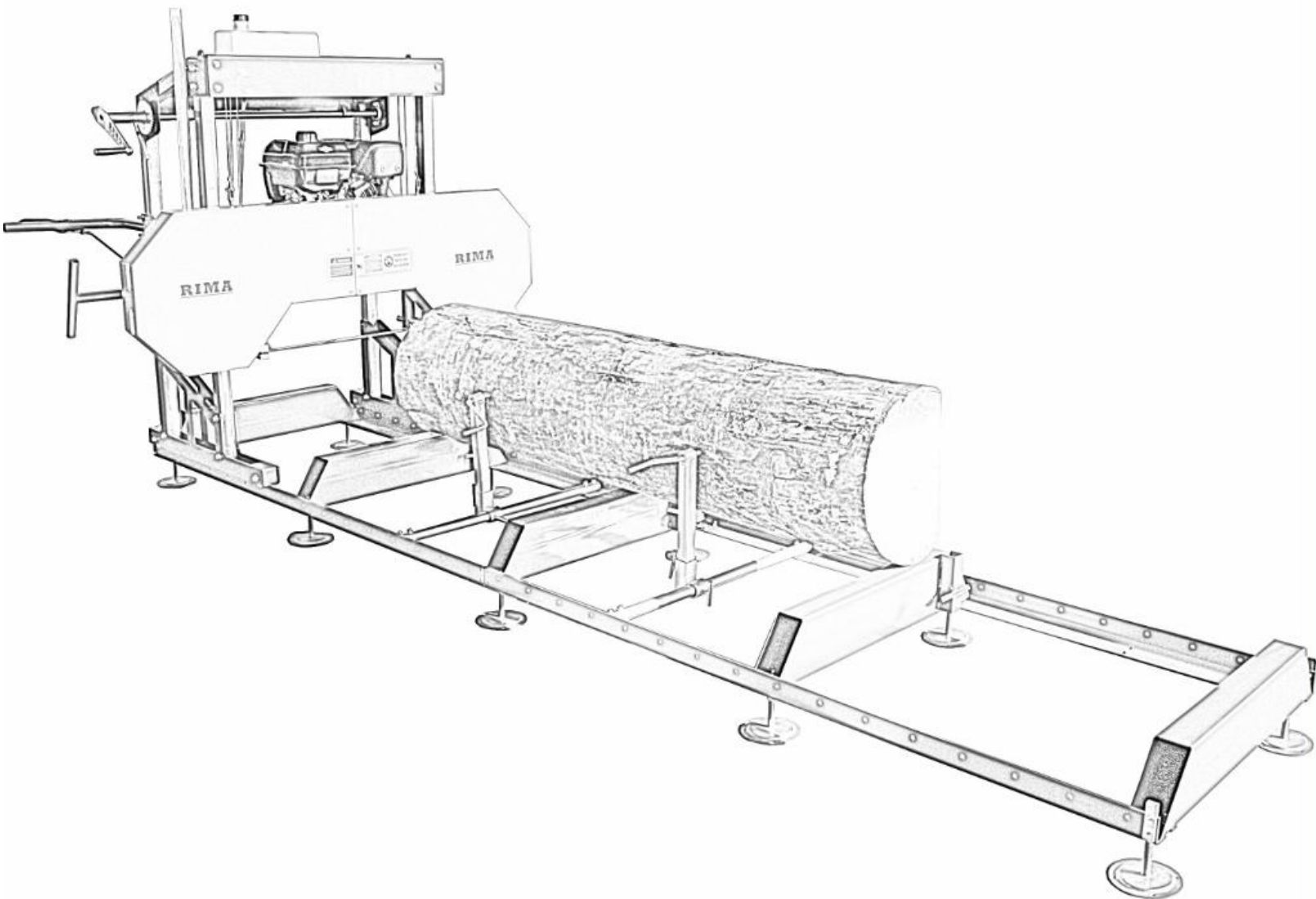



# RS PORTABLE SAWMILL

2019  
RS26G/31G



 **WARNING:**  
Read carefully and understand all ASSEMBLY AND OPERATION INSTRUCTIONS before operating.  
Failure to follow the safety rules and other basic safety precautions may result in serious personal injury.

# TABLE OF CONTENTS

<b>GENERAL SAFETY RULES .....</b>	<b>3</b>
<b>GENERAL MAINTENANCE INFORMATION .....</b>	<b>8</b>
<b>SAWMILL ASSEMBLY INSTRUCTIONS.....</b>	<b>9</b>
<b>SAWMILL SET-UP PROCEDURES.....</b>	<b>26</b>
<b>BELT TENSION .....</b>	<b>26</b>
<b>BLADE TRACKING.....</b>	<b>28</b>
<b>BLADE GUIDE ADJUSTMENT .....</b>	<b>34</b>
<b>NYLON BOLT ADJUSTMENT.....</b>	<b>35</b>
<b>SAWMILL MAINTENANCE .....</b>	<b>36</b>
<b>BLADE TENSION.....</b>	<b>36</b>
<b>CHANGING THE BLADE .....</b>	<b>36</b>
<b>REPLACING BELTS.....</b>	<b>38</b>
<b>TROUBLESHOOTING.....</b>	<b>39</b>
<b>PARTS LIST .....</b>	<b>41</b>
<b>PART DIAGRAMS .....</b>	<b>42</b>
<b>NOTES.....</b>	<b>46</b>

# INTRODUCTION

Congratulations on your purchase and welcome to RIMA. This manual gives you the necessary information about your machine so you will be able to use it properly. The entire manual must be read and understood before you start using the machine. If any questions should arise that are not covered by this manual, please contact RIMA.

## OWNER'S RECORD

Please take a moment to record the following information about your portable sawmill. If you need to call for assistance, please be ready to provide your model and serial numbers. This information will allow us to help you more quickly when you call.

### MODEL NUMBER

### SERIAL NUMBER

### DATE OF PURCHASE

This machine is designed for certain applications only. We strongly recommend that this machine is not modified and/or used for any application other than that for which it was designed. If you have any questions relative to a particular application, DO NOT use the machine until you have first contacted us to determine if it can or should be performed on the product.

For technical questions and replacement parts, please contact RIMA.

## INTENDED USE

This sawmill is designed for sawing logs while the mill is firmly supported on the ground.

## TECHNICAL SPECIFICATIONS

ITEM	DESCRIPTION	
Gasoline Engine	9.0 HP	15.0 HP
Maximum Log Diameter	26" (660mm)	31" (790mm)
Maximum Board Width	22" (558mm)	22" (558mm)
Maximum Board Thickness	7" (178mm)	7" (178mm)
Blade Size	1-1/4" x 144" (32mmx3657mm)	1-1/4" x 144" (32mmx 3657mm)

## GENERAL SAFETY RULES



### WARNING!

Read and understand all instructions. Failure to follow all instructions listed below may result in electric shock, fire and/or serious injury.



### WARNING!

The warnings, cautions, and instructions discussed in this instruction manual cannot cover all possible conditions or situations that could occur. It must be understood by the operator that common sense and caution are factors which cannot be built into this product, but must be supplied by the operator.



### WARNING!

Only operate the engine in a well ventilated area. Carbon Monoxide produced by the engine during use can kill. Do not use indoors, near windows or in other sheltered areas.

NOTE: All Federal and State laws and any regulation having jurisdiction covering the safety requirements for use of the machine take precedence over the statements in this manual. Users of this machine must adhere to such regulations.

# SAVE THESE INSTRUCTIONS

## WORK AREA

- **Keep work area clean**, free of clutter and well lit. Cluttered and dark work areas can cause accidents.
- **Do not use your sawmill where there is a risk of causing a fire or an explosion;** e.g. in the presence of flammable liquids, gasses, or dust. Power tools create sparks, which may ignite the dust or fumes.
- **Keep children and bystanders** away while operating a power tool. Distractions can cause you to lose control, so visitors should remain at a safe distance from the work area.
- **Be aware of all power lines, electrical circuits**, water pipes and other mechanical hazards in your work area, particularly those hazards below the work surface hidden from the operator's view that may be unintentionally contacted and may cause personal harm or property damage.
- **Be alert of your surroundings.** Using power tools in confined work areas may put you dangerously close to cutting tools and rotating parts.

## INTERNAL COMBUSTION ENGINE SAFETY



### WARNING!

Internal combustion engines present special hazards during operation and fuelling. Read and follow the warning instructions in the engine Owner's Manual and the safety guidelines below. Failure to follow the warnings and safety standards could result in severe injury or death.

- **DO NOT** run the machine indoors or in an enclosed area such as a deep trench unless adequate ventilation, through such items as exhaust fans or hoses, is provided. Exhaust gas from the engine contains poisonous carbon monoxide gas; exposure to carbon monoxide can cause loss of consciousness and may lead to death.
- **DO NOT** smoke while operating the machine.
- **DO NOT** smoke when refuelling the engine.
- **DO NOT** refuel a hot or running engine.
- **DO NOT** refuel the engine near an open flame.
- **DO NOT** spill fuel when refuelling the engine.
- **DO NOT** run the engine near open flames.
- **ALWAYS** refill the fuel tank in a well-ventilated area.
- **ALWAYS** replace the fuel tank cap after refuelling.
- **ALWAYS** check the fuel lines and the fuel tank for leaks and cracks before starting the engine. Do not run the machine if fuel leaks are present or the fuel lines are loose.
- **ALWAYS** avoid contact with hot fuel, oil, and exhaust fumes.

# PERSONAL SAFETY

- **Stay alert**, watch what you are doing and use common sense when operating a power tool. Do not use a power tool while you are tired or under the influence of drugs, alcohol or medication. A moment of inattention while operating power tools may result in serious personal injury.
- **Dress properly**. Do not wear loose clothing, dangling objects, or jewelry. Keep your hair, clothing and gloves away from moving parts. Loose clothes, jewelry or long hair can be caught in moving parts. Air vents often cover moving parts and should be avoided.
- **Use safety apparel and equipment**. Use safety goggles or safety glasses with side shields which comply with current national standards, or when needed, a face shield. Use a dust mask in dusty work conditions. This applies to all persons in the work area. Also use non-skid safety shoes, hardhat, gloves, dust collection systems, and hearing protection when appropriate.
- **Do not over reach**. Keep proper footing and balance at all times.
- **Remove adjusting keys or wrenches** before connecting to the power supply or turning on the tool. A wrench or key that is left attached to a rotating part of the tool may result in personal injury.
- **Never make blade guide adjustments, remove or install blades or conduct any other maintenance or make any other adjustments when the engine is running**. Always shut the engine off, remove the ignition key, and keep the engine off before carrying out any of the aforementioned procedures. Consult your engine manual for safe shutdown procedures to prevent accident ignition.

# TOOL USE AND CARE

- **Always** be sure operator is familiar with proper safety precautions and operation techniques before using the machine.
- **Never touch** the engine or muffler while the engine is on or immediately after it has been turned off. These areas get hot and may cause burns.
- **Always** close fuel valve on engines when machine is not being operated.
- **Do not force the tool.** Tools do a better and safer job when used in the manner for which they are designed.
- **Never use the sawmill** with a malfunctioning switch or throttle. Any power tool that cannot be controlled with the switch is dangerous and must be repaired before using.
- **Turn off the engine** and place the switch in the locked or off position before servicing, adjusting, installing accessories or attachments, or storing. Such preventive safety measures reduce the risk of starting the power tool accidentally.
- **Secure logs** with the log screw clamping device instead of with your hand or another individual's help. This safety precaution allows for proper tool operation using both hands.
- **Storing sawmill.** When the sawmill is not in use, store it in a dry, secure place or keep well covered and out of the reach of children. Inspect the sawmill for good working condition prior to storage and before re-use.
- **Maintain your sawmill.** It is recommended that the general condition of the sawmill be examined before it is used. Keep your sawmill in good repair by adopting a program of conscientious repair and maintenance in accordance with the recommended procedures found in this manual. If any abnormal vibrations or noise occurs, turn the sawmill off immediately and have the problem corrected before further use.
- **Keep saw blades sharp and clean.** Properly maintained bandsaw blades are less likely to bind and are easier to control.
- **Cleaning and Lubrication.** Use only mild soap and a damp cloth to clean your sawmill. Many household cleaners are harmful to plastic and rubber components on the sawmill.
- **Use only accessories** that are recommended by the manufacturer for your model. Accessories that may be suitable for another sawmill may create a risk of injury when used on this sawmill.
- **Always operate machine with all safety devices** and guards in place and in working order. DO NOT modify or make changes to safety devices. DO NOT operate machine if any safety devices or guards are missing or inoperative.
- **Never leave the sawmill running unattended.**
- **Coiled blades can spring apart** with considerable force and unpredictably in any direction. Always deal with coiled blades, including those packaged in boxes, with the utmost care.
- **Never use the equipment to cut anything other than lumber** or for any purpose other than cutting lumber as described in this manual.

## EQUIPMENT OPERATION

1. Wear heavy-duty work gloves, ANSI-approved goggles behind a full face shield, steel-toed work boots, and a dust mask.
2. Operate only with assistance.
3. Fill the lubrication tank with clean water and liquid soap.
4. Start and operate the engine according to the provided engine manual.
5. Depress the throttle to bring the blade up to speed.
6. Throttle should be fully depressed when the saw is under load.
7. Cut branches off the lumber to be processed.
8. Place the lumber to be cut on the supports.
9. Move the saw head slowly along the track and against the lumber to make the cut.
10. Trim off the rounded sides of the log.
11. When the log is squared-off, boards or posts can be cut to custom specifications.
12. To prevent accidents, turn off the engine and disconnect its spark plug wire after use. Wait for the engine to cool, clean external parts with a clean cloth, then store the equipment out of children's reach.



### **WARNING!**

To avoid death or serious injury. Do not cut lumber with foreign objects in it such as nails, any metal pieces, etc.



### **WARNING!**

The operator and any assistants must stay clear of the front and back of the blade whenever the engine is on.



# MAINTENANCE

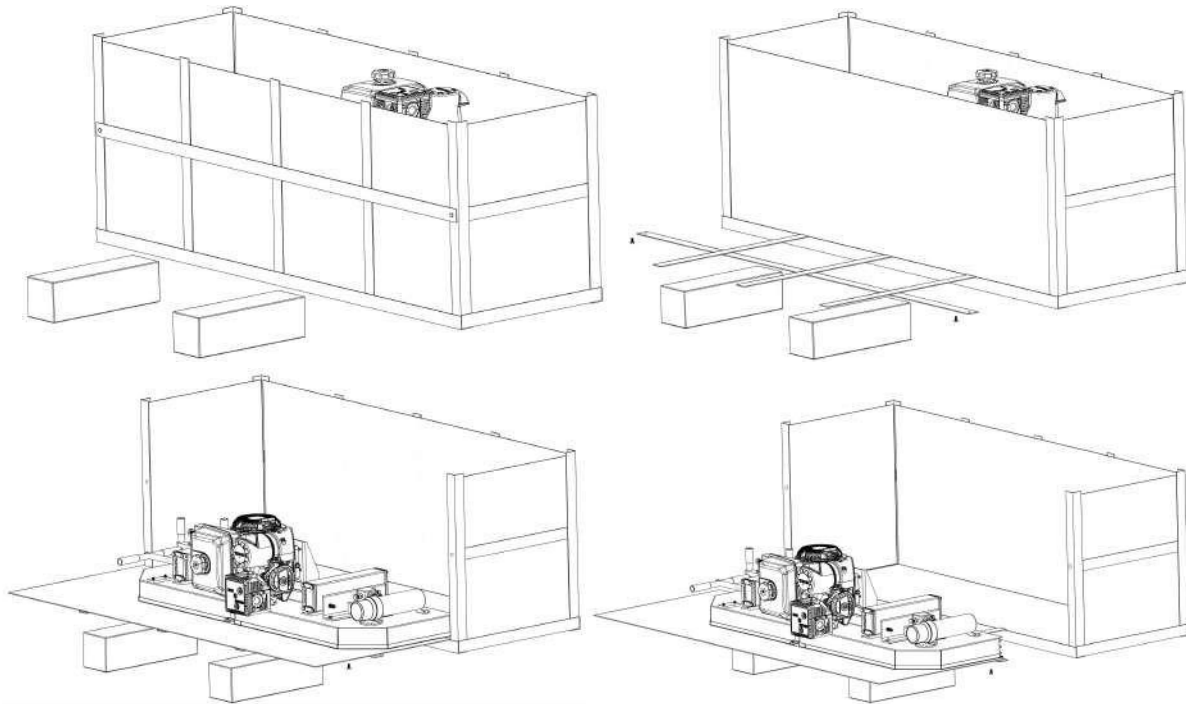
Proper and routine maintenance is critical to operator safety, achieving good milling results and to prolonging the life of your investment.

- **Band Wheel Bearings** — Inspect before use to ensure they are not worn. Bearings are sealed and do not need to be greased.
- **Blade Guide Bearings** — Inspect before use for excessive grooves or scoring in the bearing case. Replace if necessary.
- **Blade Tension** — Grease threads of tensioning “T” handle when dry or as required. Use multi-purpose, extreme-pressure grease.
- **Log Screws** — Grease frequently.
- **Belts** — Periodically check the condition and wear of the drive and idler belt. Ensure that the blade does not ride on the band wheels.
- **Drive Belt** — Periodically check the tension of the drive belt.
- **Saw Head Vertical Posts** — Spray posts before use with a silicone spray lubricant such as 3-in-1 or Jig-A-Loo.
- **Band Wheel Guards** — Routinely remove any build-up of sawdust that may collect inside the band wheel guards.
- **Lubrication Tank** — Only fill with a water and dish soap mixture or in winter months, use windshield washer fluid. Do not leave lubricant in tank if temperature falls below 0° C.
- **Blade Lubricant** — Never use diesel fuel or kerosene as blade lubricant. These substances lead to premature wear of your belts and poor sawing performance. For winter operations, replace the water lubricant with windshield washer fluid.
- **Engine** — Check the engine oil level before each use and maintain the engine as per the instructions set out by the engine manufacturer in the engine manual. The engine is equipped with an oil alert system and will not start without adding oil before starting.
- **Saw Head Lifting Cables** — Regularly before, during, and after operations; inspect the cables for any wear or kinks. Ensure that the cables are in perfect condition. Oil coiled part of cable often to prevent premature wear. Replace with new cables as necessary.

# SAWMILL ASSEMBLY

## 1. UNPACKING

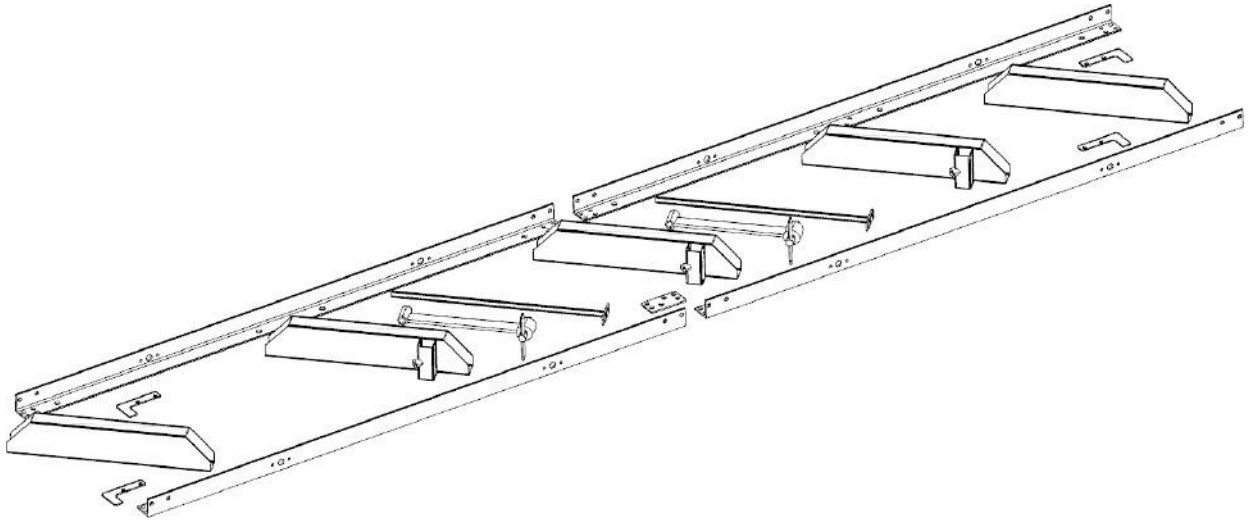
Unpack the contents of the crate except for the sawmill head and the two long boxes in the bottom that contain the two sections of track. Unbolt the front of the crate and lay 6" (150mm) high support blocks in front of the crate. Bend the front of the crate down. Carefully lay the sawmill head and the cardboard down onto the 6" (150mm) support blocks. Slide the sawmill head out of the crate as shown below.



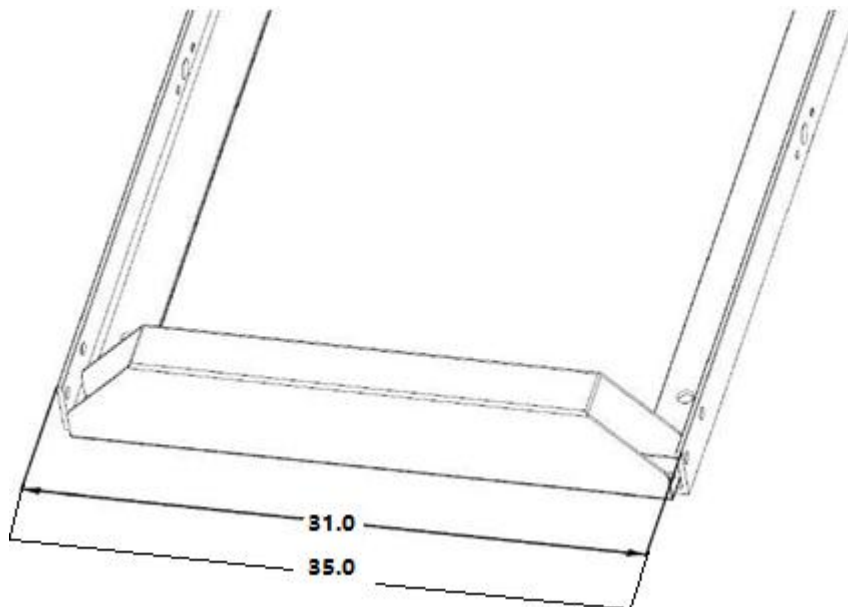
The two long track boxes may now be removed from the crate and the crate be placed out of the way.

## **2. TRACKS**

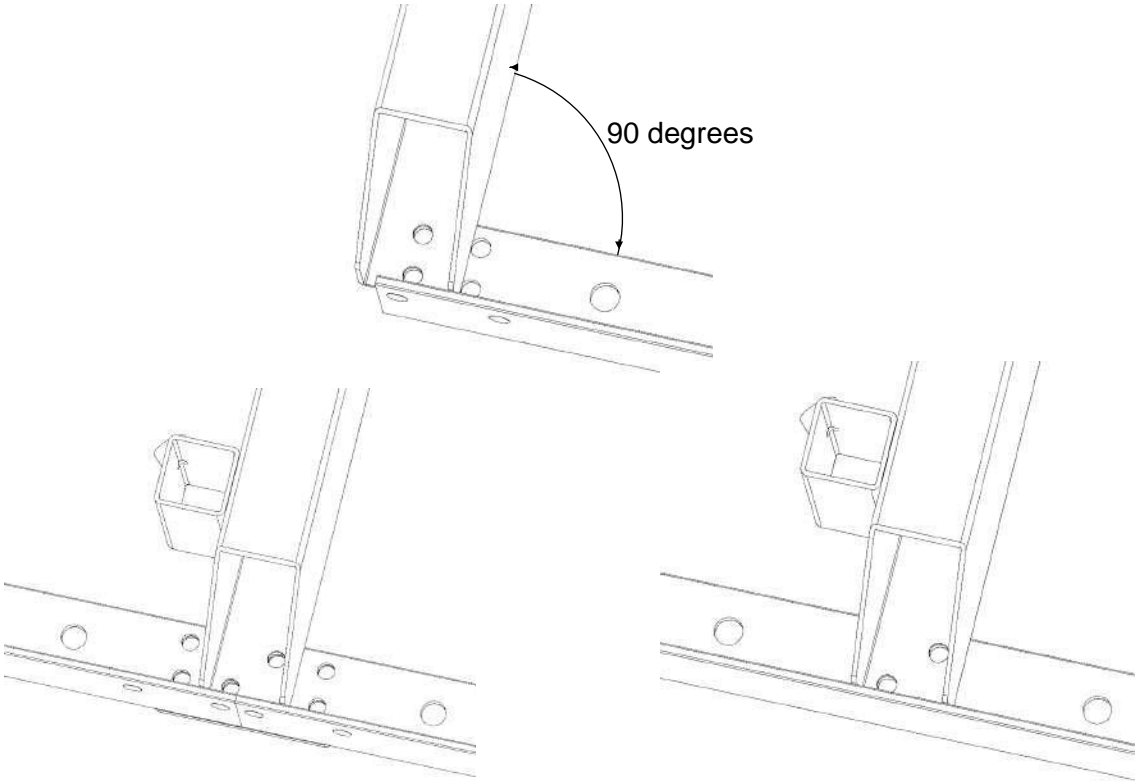
Assemble the track system with the provided nuts & bolts. It is important to assemble and level the track on a firm foundation before tightening all of the nuts and bolts. It is ideal to assemble the tracks on a solid and level footing that is a minimum of 4" (100mm) off of the ground. This will allow for easy cleanup of sawdust from under the tracks and height adjustment of the log supports.



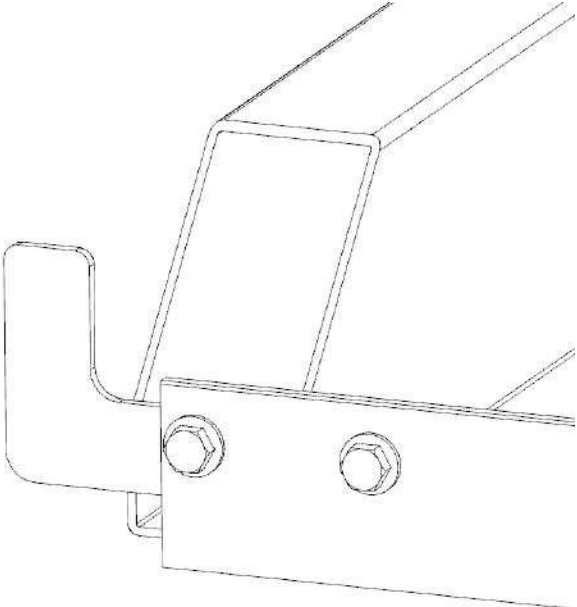
The width of the track should be assembled so that it is 31.0" (800mm) -35.0" (900mm) wide when measuring the width from the outside to outside of the "L" rails.



The pictures below show the assembly of the log bunks to the “L” rails. Ensure that the two end bunks are square (90 degrees) to the track ‘L’ rails.

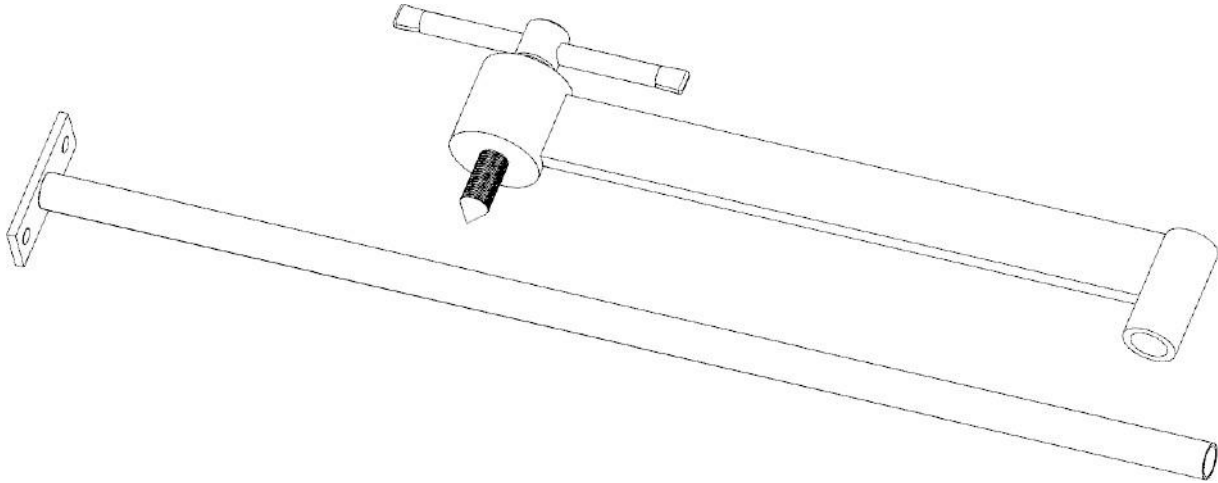


Assemble carriage stops at the ends of the tracks (4 stops total) and tighten bolts as shown below.

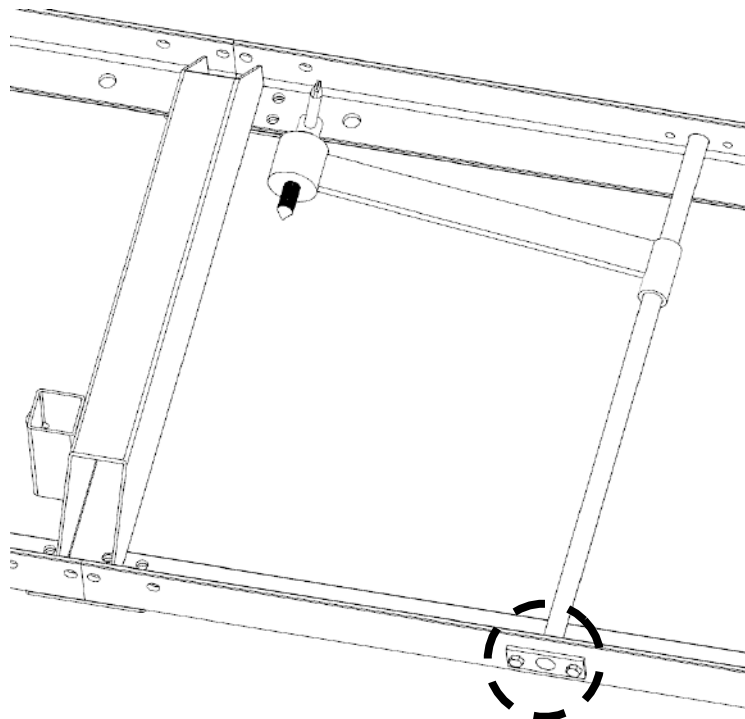


### **3. LOG DOG & SUPPORTS**

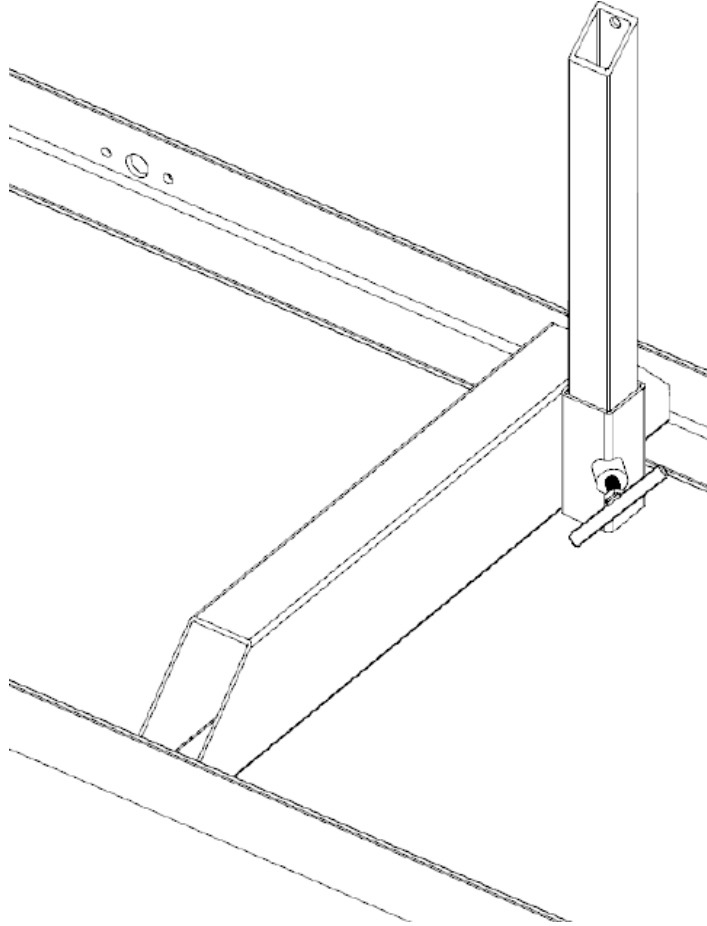
Assemble log dog pieces using the pieces shown below.

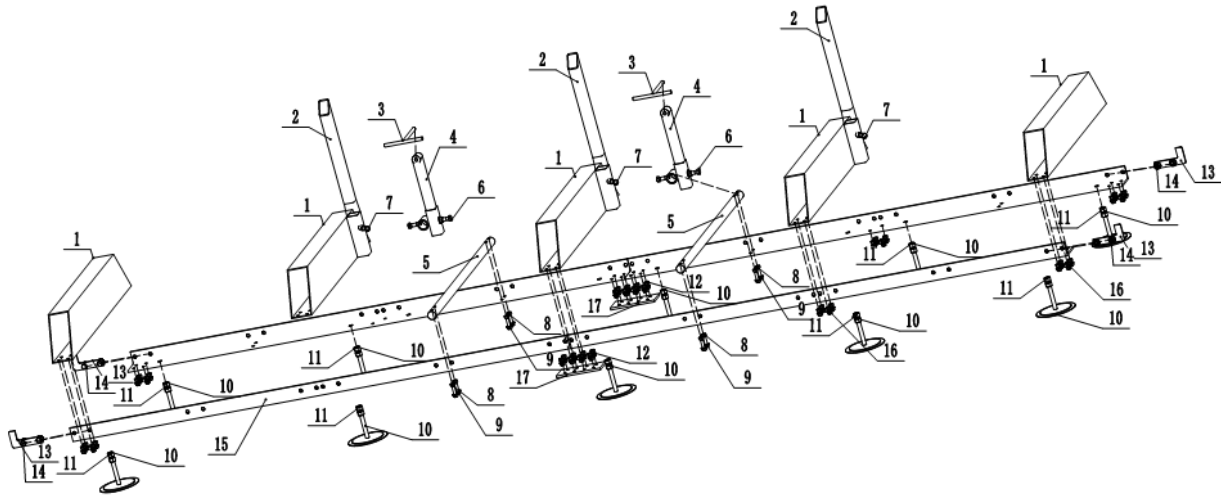


Attach log dog assembly to track as shown below with the 2 M8x20mm bolts and nuts provided. Note that there are various locations along the track where this assembly can be bolted. Depending on how many track sections are being used, select a log clamp position that will secure the log firmly against the log supports.



Insert log supports into track cross supports and secure with “T” handles as shown in the picture below. The “T” handle threads should be coated with grease. The sawmill includes two sets of log supports – a short set and a long set. The longer set is ideal for larger logs and the shorter set is ideal for small logs and square cants.

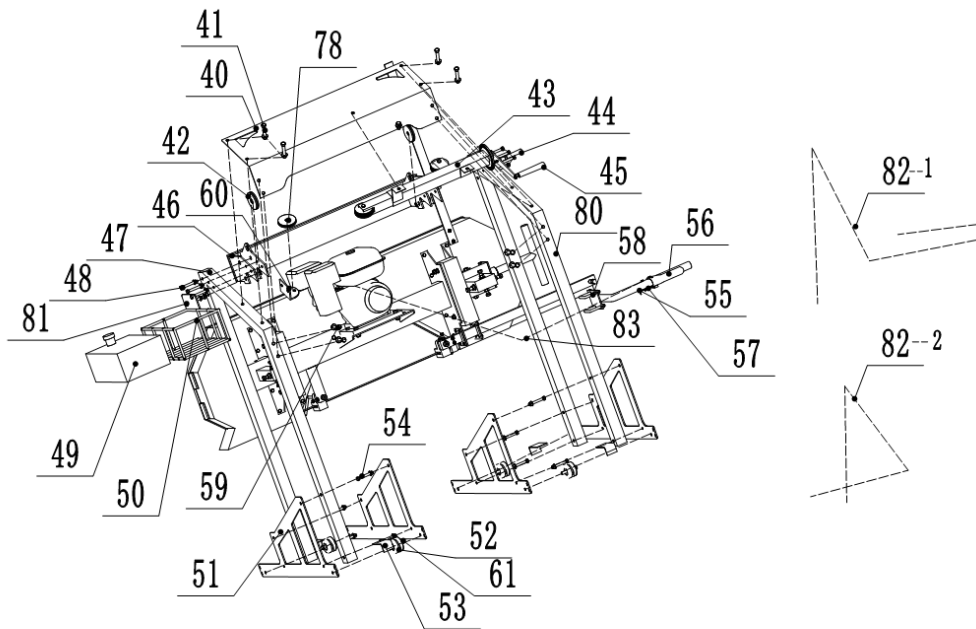




**Note:**

- a. After assembly, the center to center distance of the guide must be between 889-901mm.
- b. Adjust the nut on the footing (10) so that the upper plane of the guide rail is on the same horizontal plane and the front and rear errors are within 2mm.
- c. The wood clamping device (3,4,5,6,7) is placed in two positions in the middle of the track.
- d. After adjustment, lock the nuts to make the whole guide rail parts fixed.

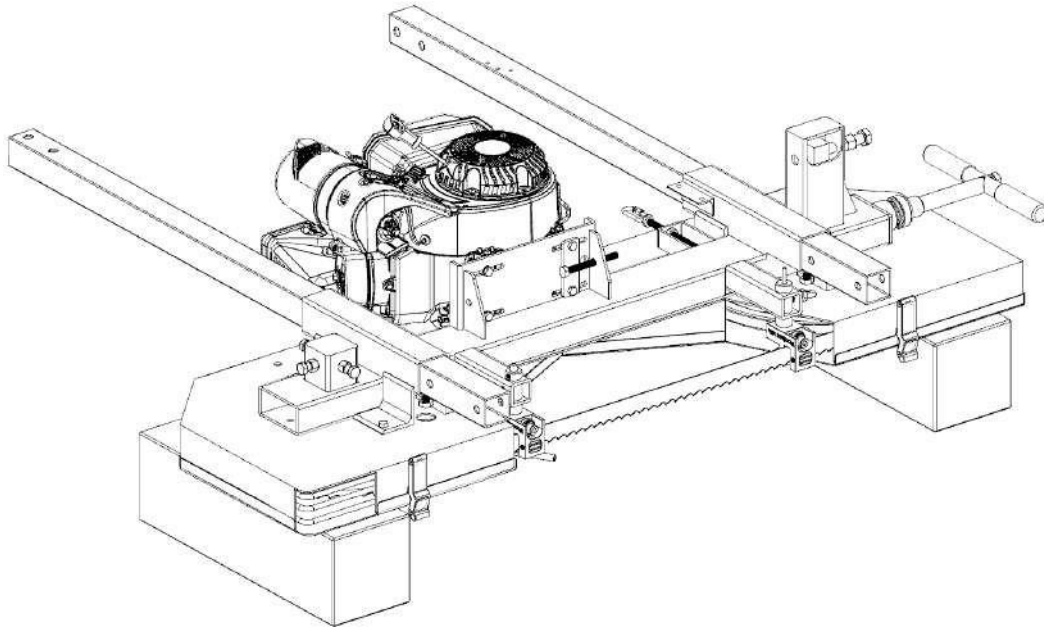
## 4. SAWMILL HEAD ASSEMBLY



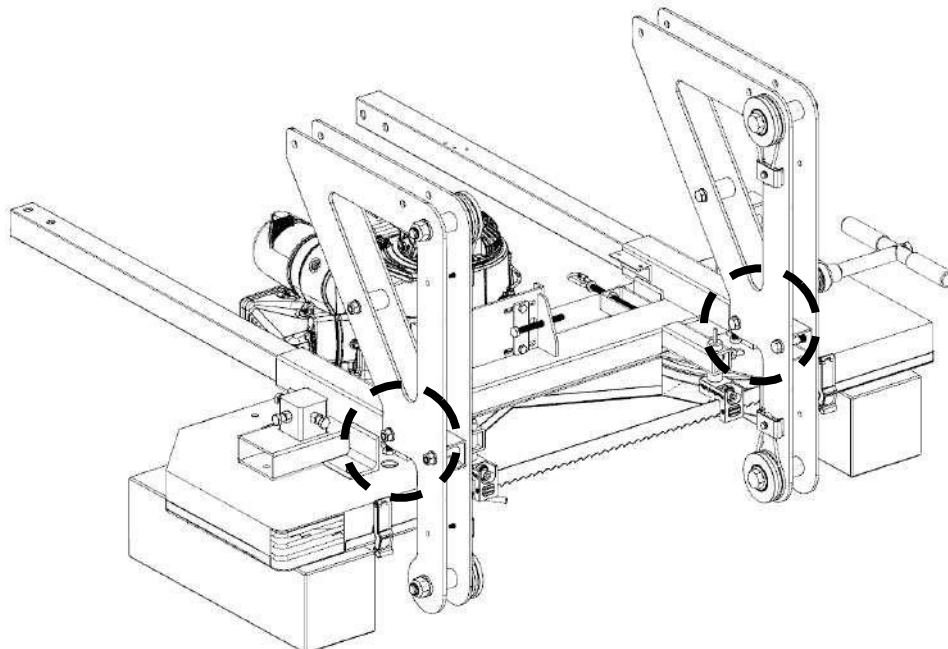
- a. Place the support plate (46) horizontally and insert the two columns (47) into the appropriate position of 46. Fix the bolts and nuts (48-1), then fix them (48-2), and then insert the steel wheel (78) into the bolts (48-2) to remove the nuts and tighten them..
- b. Place the saw head flat and insert the (46,47) assembly. Insert the (80-1,80-2) rear post into the (46) proper hole position and fix it with four (41) bolts
- c. Take 2 pieces of (51) wheel frame and 2 pieces of (52) regulating wheel and 2 pieces of (53) regulating wheel guard plate and insert them into 2 pieces of (54) screws for fixing, and then install the other end in the same way
- b. Install the installed wheel rack left and right in the holes of the column (47) and (80-1\*80-2) and fix them with (54) bolts and nuts
- c. Take (40) rear guard plate and fix 3 pieces of (41-1) bolts on the rear guard plate respectively
- d. Take (43) assembly, take (41-2) screw installed in (80-2) hole, and then take (41-3) screw fixed in (40) center hole tighten
- e. Then connect the wire rope (82-1) and (82-2) and adjust the saw blade level.
- f. Install the water tank rack, take (50) and (81) bolts and fix them on (80-1). Put the water tank in (50) and connect it with 30 with a water pipe
- g. Handle connection. The (55.56.57) assembly is held in place (80-2) with two (58) clips and connected to the throttle stay (83).
- h. Ruler installation. Take the ruler (35) and fix it on the back guard of the saw wheel with (84).
- i. Take the ruler base (36), fix it on (46) with two (84) bolts and adjust the clearance with the ruler before tightening it.
- j. Check the screws on each part and tighten them one by one.



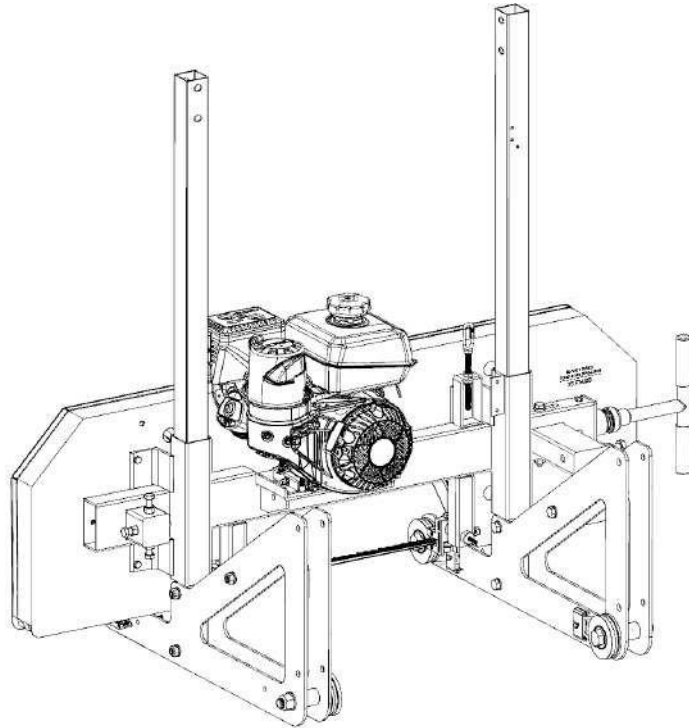
With the saw head resting about 6" (150mm) above the ground. Slide the 2 front posts into the slots as shown below.



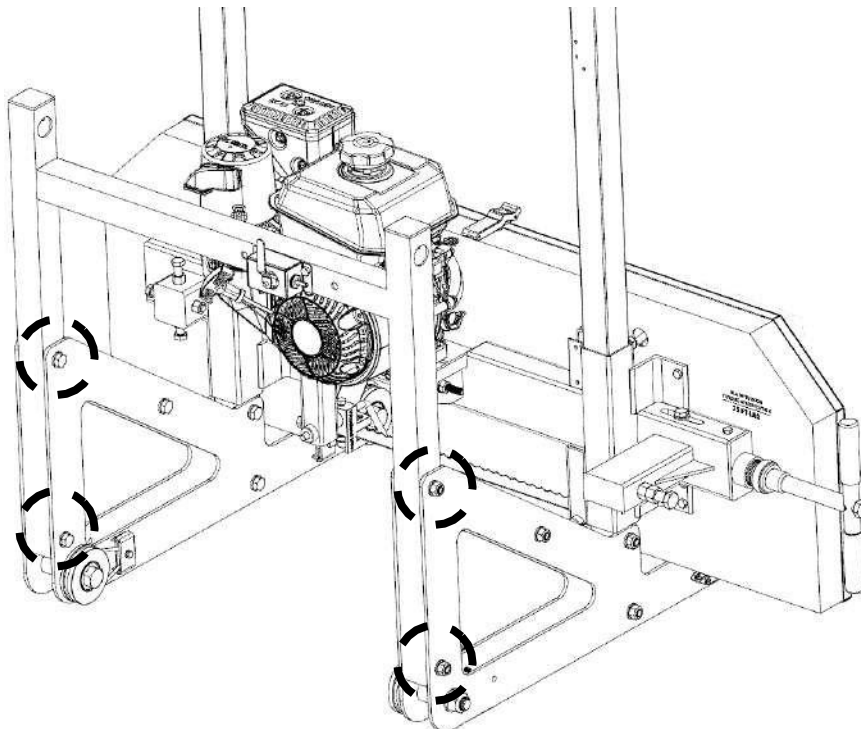
Using 4 of the M12 x 70mm bolts, washers and lock nuts, attach the saw head carriage plate assembly to the bottom of the posts. Be sure the carriage wheels are located to the inside. Fully tighten these 4 bolts so the plates are firmly attached to the posts. The posts should be pushed all the way up until the carriage plates contact the sawmill head.



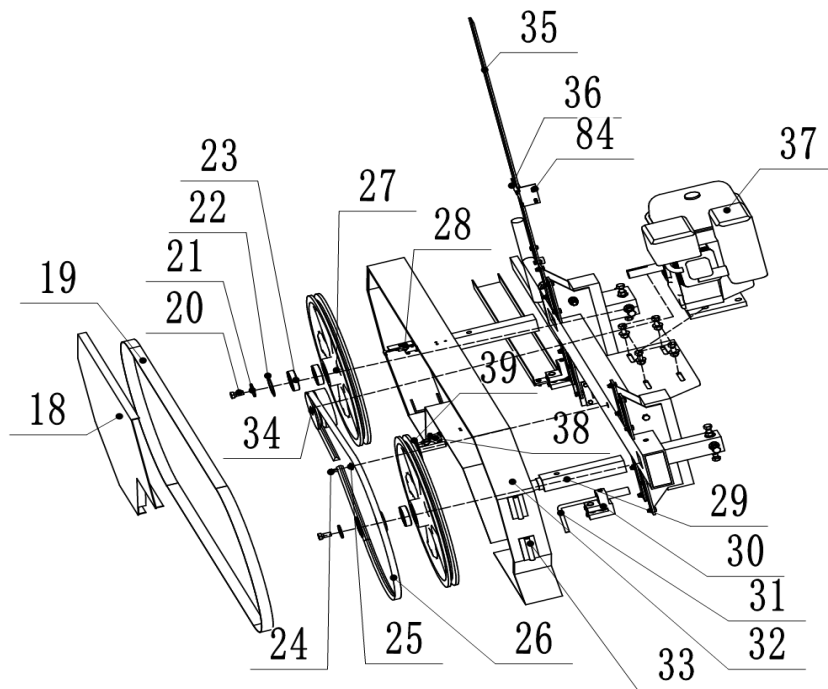
With the help of another person, stand the saw head to its upright position.



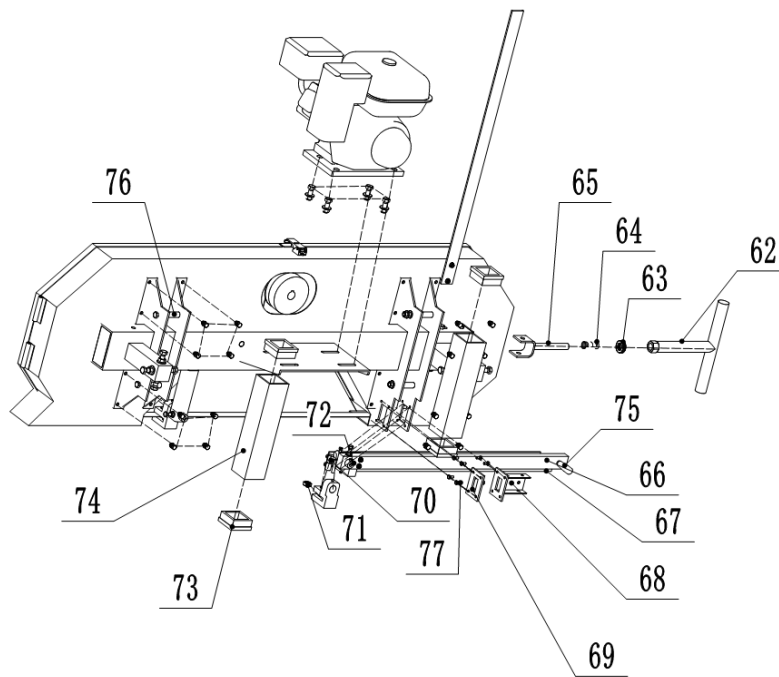
Attach the back handle between the plates using 2 of the M12 x 70mm bolts per side. Do not fully tighten these bolts at this time.



Front explosion diagram.



Rear explosion diagram

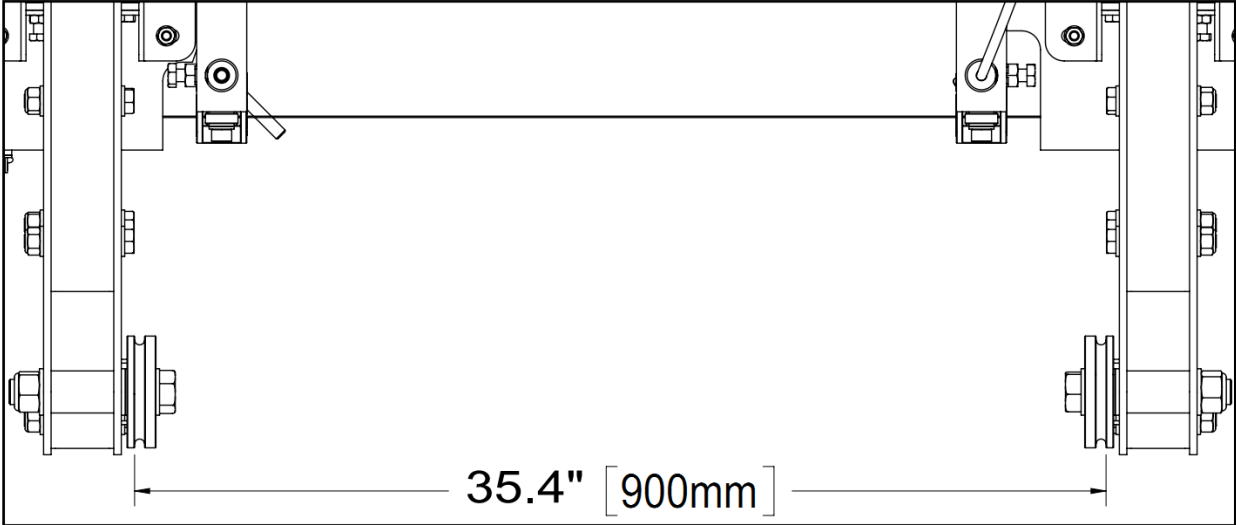


### Adjustment and operation

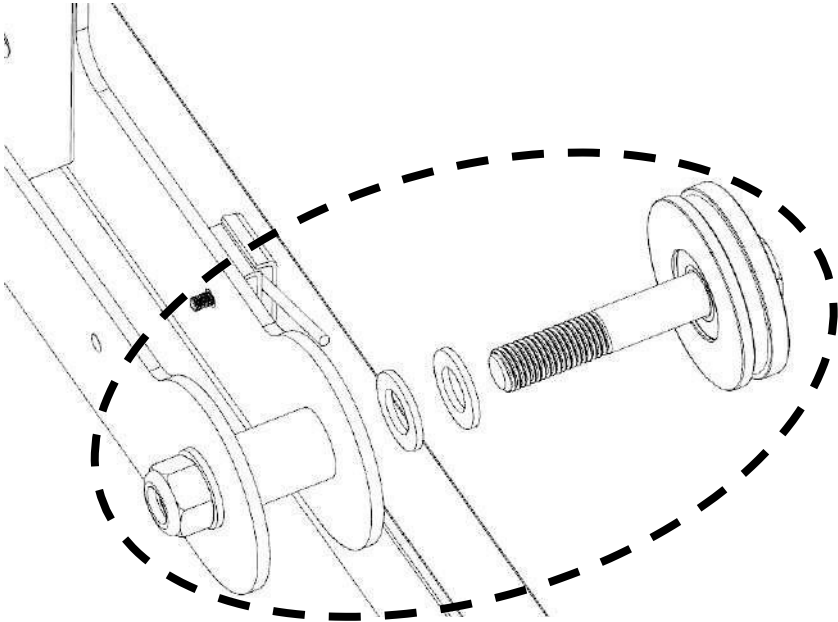
1. Rotate (62) adjust the handle to make the saw blade reach the appropriate stretching force.
2. Rotate the saw wheel to check whether the saw blade is off-tracking. If this is the case, adjust the rear adjustment bolts up and down until qualified
3. The eccentric shaft moves back and forth to make the saw blade's serrations (about 7mm-8mm) The correct distance
4. Install the water pipe on the water tank, and then insert the other end of the water pipe into the hole of the support rod of the (30) guide frame and fix it

# 1. PLACING THE HEAD ON THE TRACK

Before placing the head on the track, the carriage wheel spacing can be set to ensure they will fit properly on the "L" rails. Check the wheel spacing to ensure that a distance of 35.4" (900mm) is measured from outside to outside of the wheel grooves as shown below.

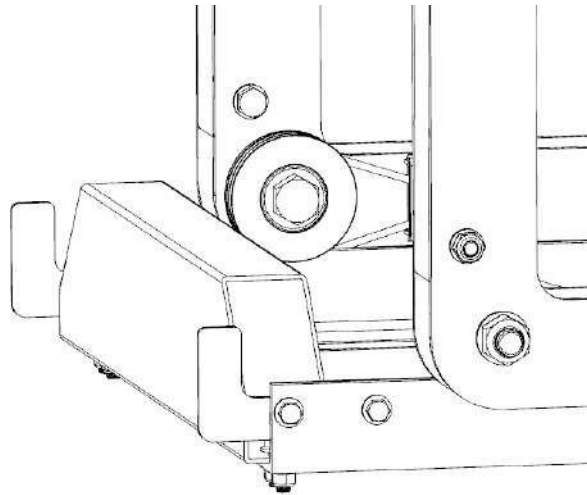
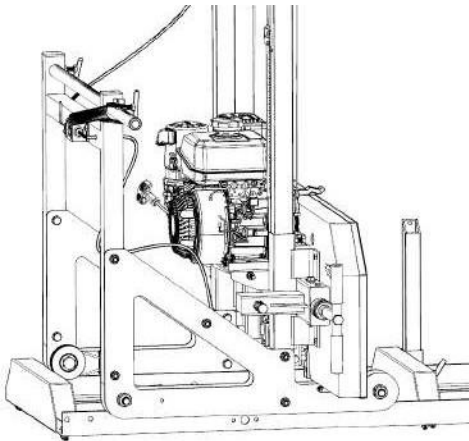
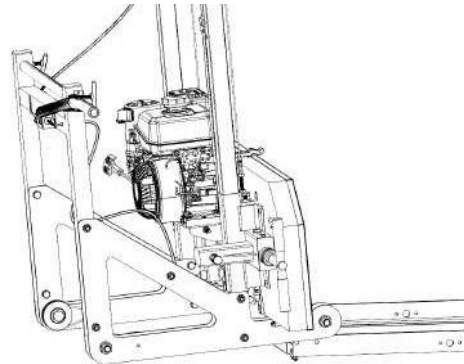
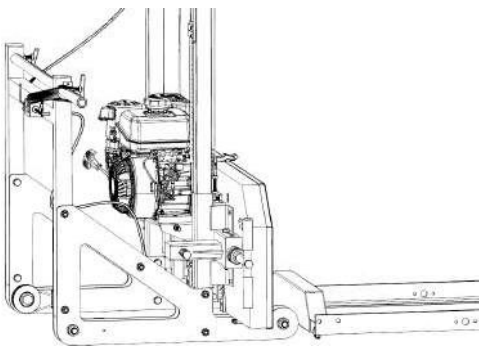


To adjust the width of the wheels, washers may be added or removed from each wheel to ensure a distance of 35.4" (900mm) is achieved.



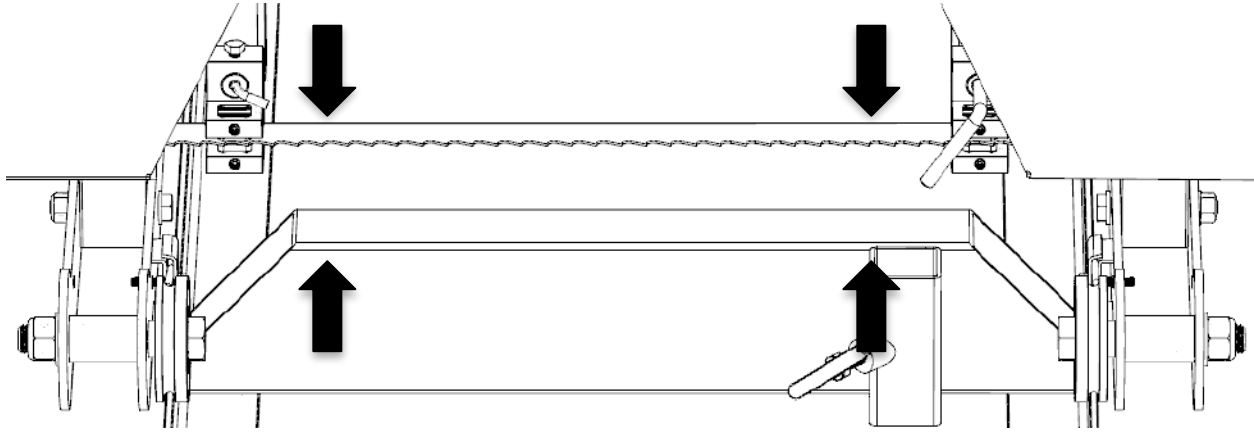
At this point, most of the sawmill head bolts should only be hand tight. They will be fully tightened when the head is on the track and has settled in a true and square state.

Two people are needed for this. Start by removing the "L" shaped brackets on the end of the tracks. The head can be walked over to the track until it is positioned behind the track as shown below. Once in this position, the head can be tilted backwards so that the front two wheels are off the ground. The head can then be walked in place whereas the two front wheels rest it on the track so that the grooves in the carriage wheels fit around the "L" rails. Finally, two people can lift up on the back of the sawmill head and walk it forward so that two back wheels are situated on the track. Finally, the "L" shaped brackets can be re-attached to the track rails.

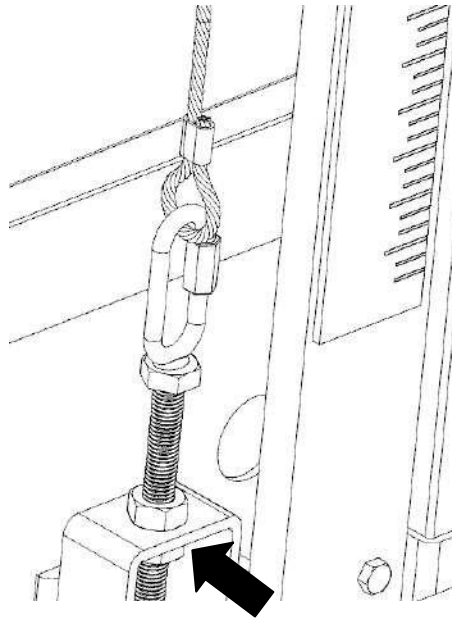


With the saw head now resting on the track, all of the saw head bolts may be tightened up.

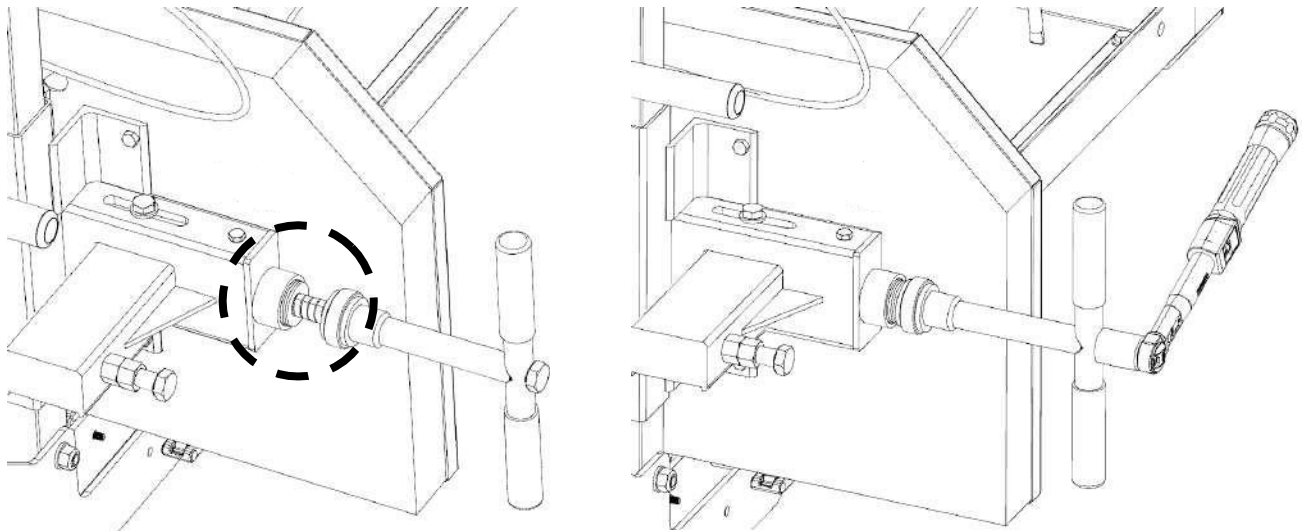
Using a tape measure, take a measurement from the blade to the top of the log bunk on both the left and right side. The distance should be equal on both sides. If it isn't, you will need to adjust the cable ends on the right side to either raise or lower the right side. Refer to the step below for adjustment instructions.



Using a 14mm wrench, turn the nut either clockwise to raise one side of the saw head or counter-clockwise to lower one side of the saw head. Double check the blade height as discussed in the previous step. Once the measurement is consistent on both sides, tighten the corresponding nut to clamp securely against tab.

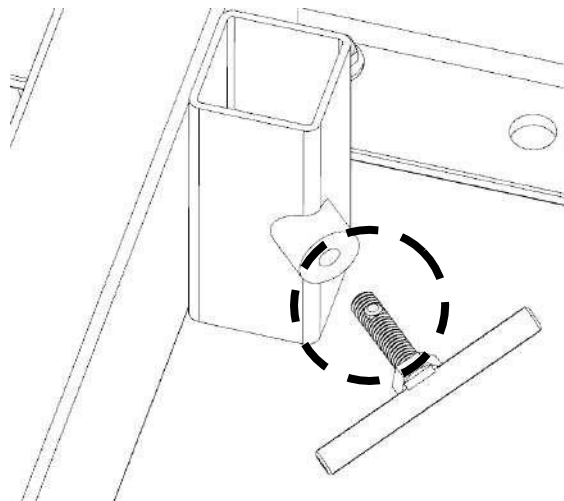


Add waterproof grease to the threads of the blade tension “T” handle and to the washer face that it meets before use. Proper blade tension is achieved when a 24mm socket is used on a torque wrench to tighten the “T” handle to 25 ft-lbs (34 N-m) torque. See the images below.



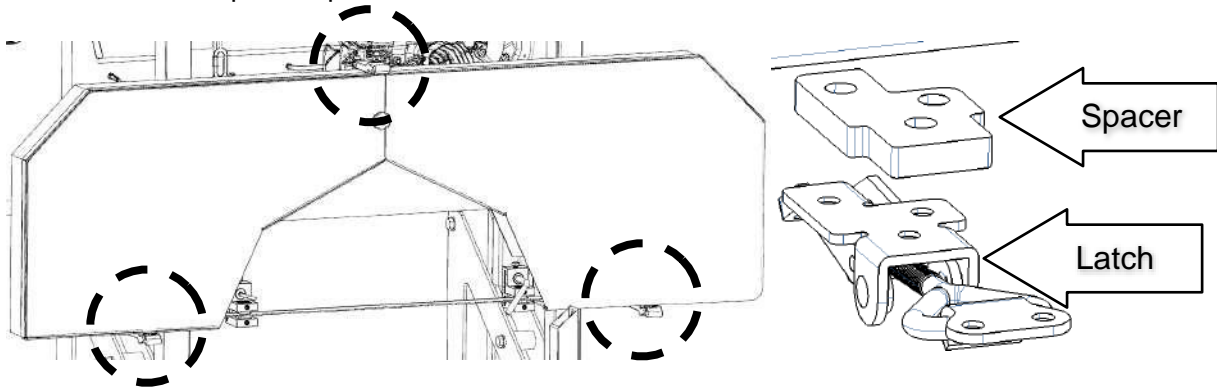
***\*Note – It is very important to take the tension off of the blade by turning the “T” handle in the counter-clockwise direction when the sawmill is not in use. Failure to do so, will result in flat spots on the rubber belts. These flat spots will cause the mill to vibrate excessively during next use.\****

Add grease to all “T” handle threads on the sawmill.

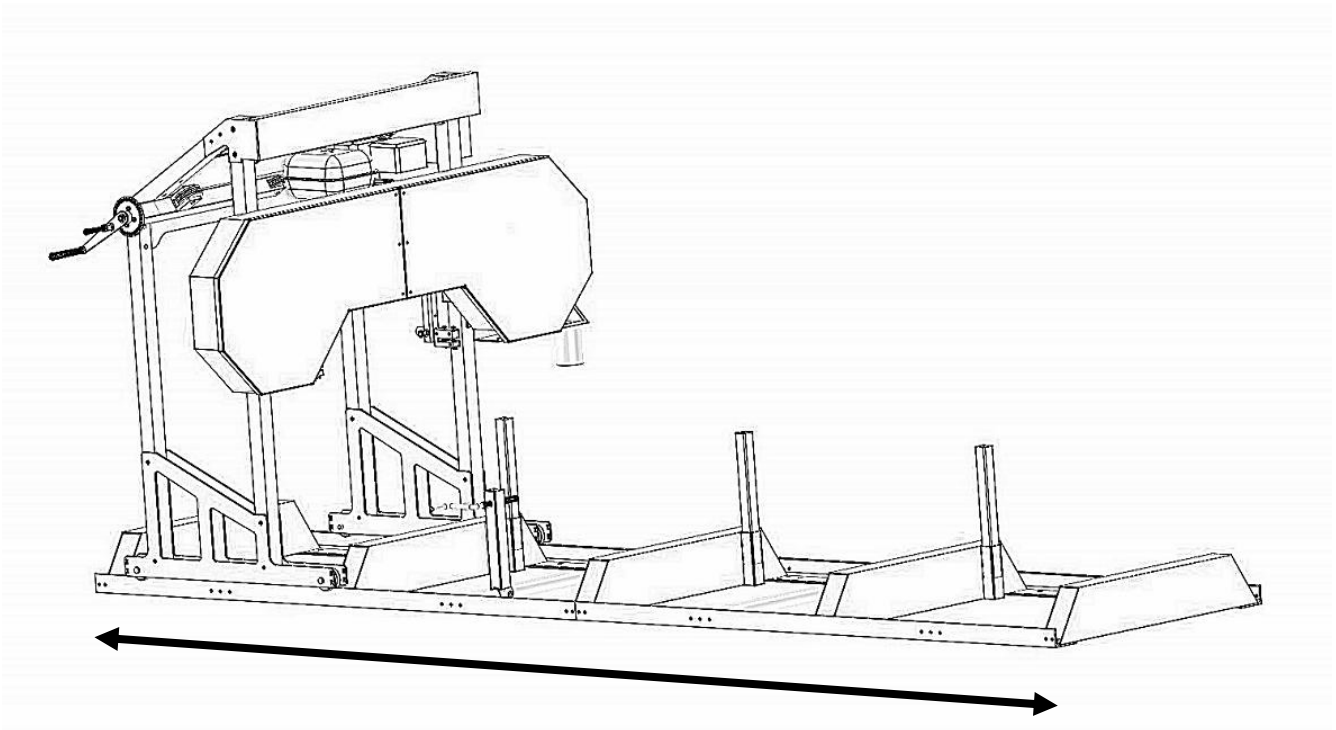




Install the 3 latches on the band wheel housing doors, if they are not already installed. Only the 2 bottom latches require a spacer.

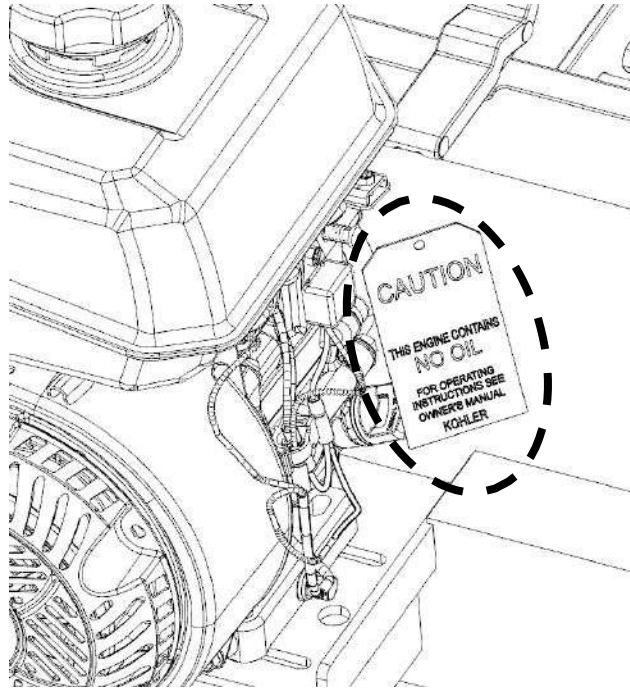


Push the saw head up and down the track system to ensure that the width of the track allows for the saw head to move freely. If it binds or feels tight, the carriage wheel spacing can be adjusted again by adding or removing washers.

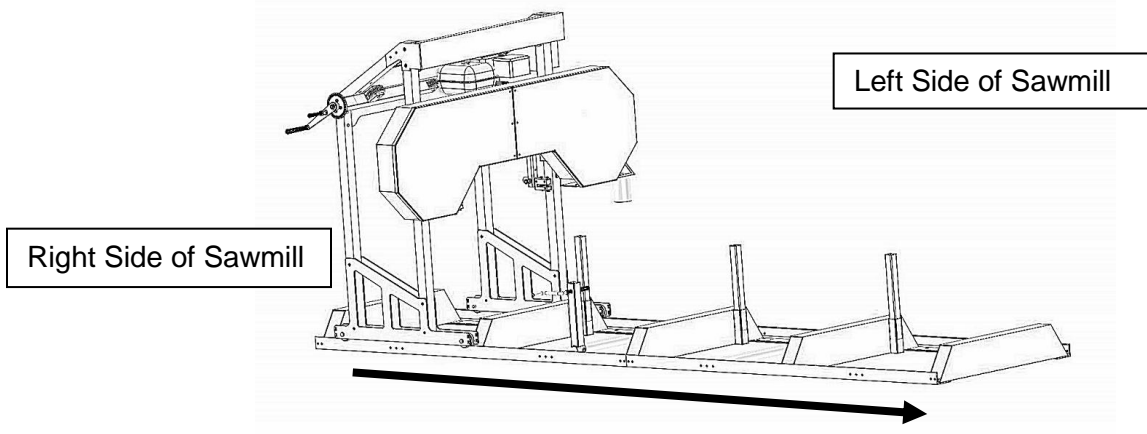


## **2. ENGINE**

Refer to the engine manual before using your sawmill. Please note that the engine does not contain any gasoline or engine oil when it is shipped. Furthermore, the engine is equipped with an oil alert system, meaning that if the crankcase oil level is low or empty, the power is cut to the spark plug and it will not start.



Always cut in the direction shown below. The log clamp should always be on the right side of the log and the log supports should always be on the left. Failure to cut in this direction can cause the log to come loose and possibly even cause damage or injury.



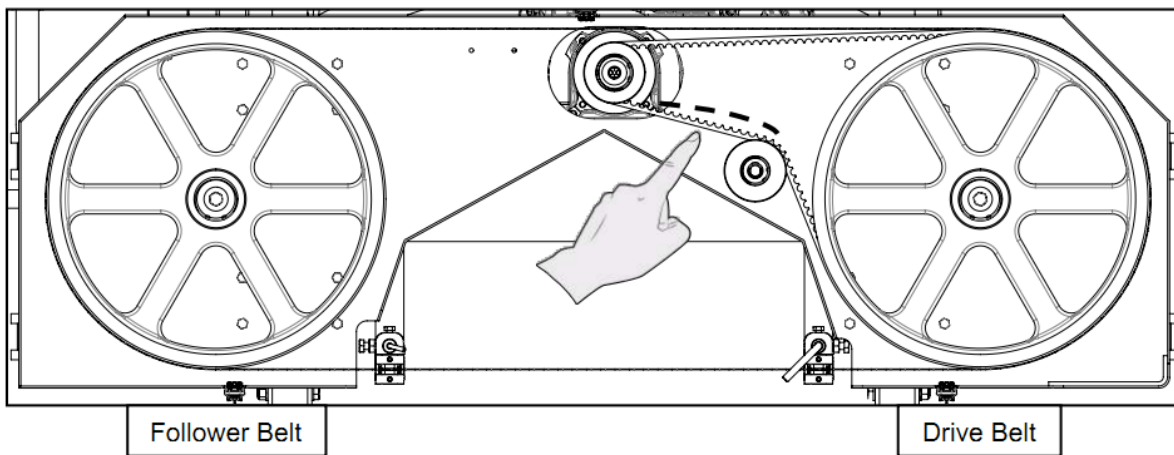
***\*Now that your sawmill is assembled, please run through the "SAWMILL SET-UP PROCEDURES" in the following section. Failure to do so may result in poor sawing performance, damage or injury. See next page.\****

# SAWMILL SET-UP PROCEDURES

## 1. BELT TENSION

**Follower Belt** – This is a polyurethane belt and will be seated tightly in the band wheel vee groove. No adjustment is required for this belt.

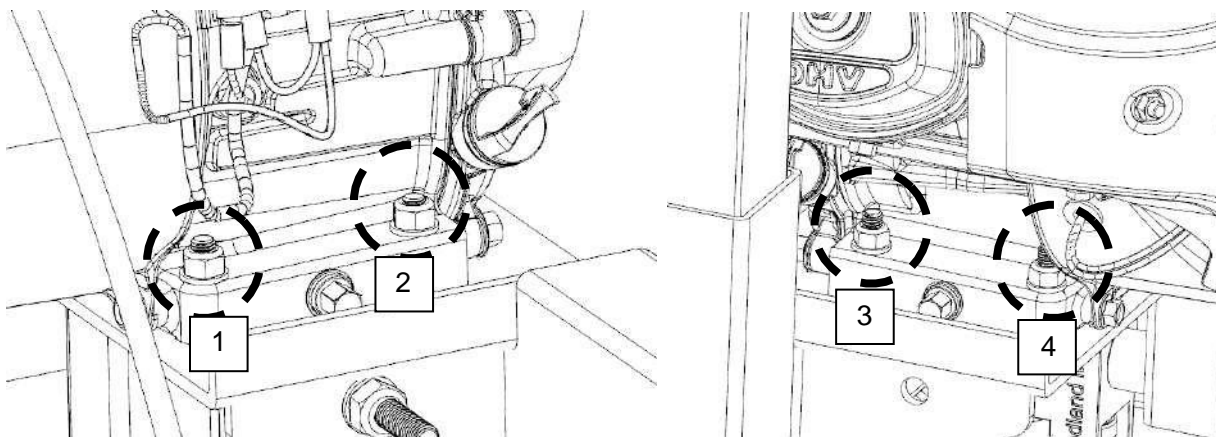
**Drive Belt** - To check the belt tension, with your hand, firmly try to deflect the belt up and down. There should be no more than 1/4" (6mm) of deflection. If the belt deflects more than this, it will need to be tightened as described below.



**\*\*Never attempt to adjust the belt tension with the engine running.**

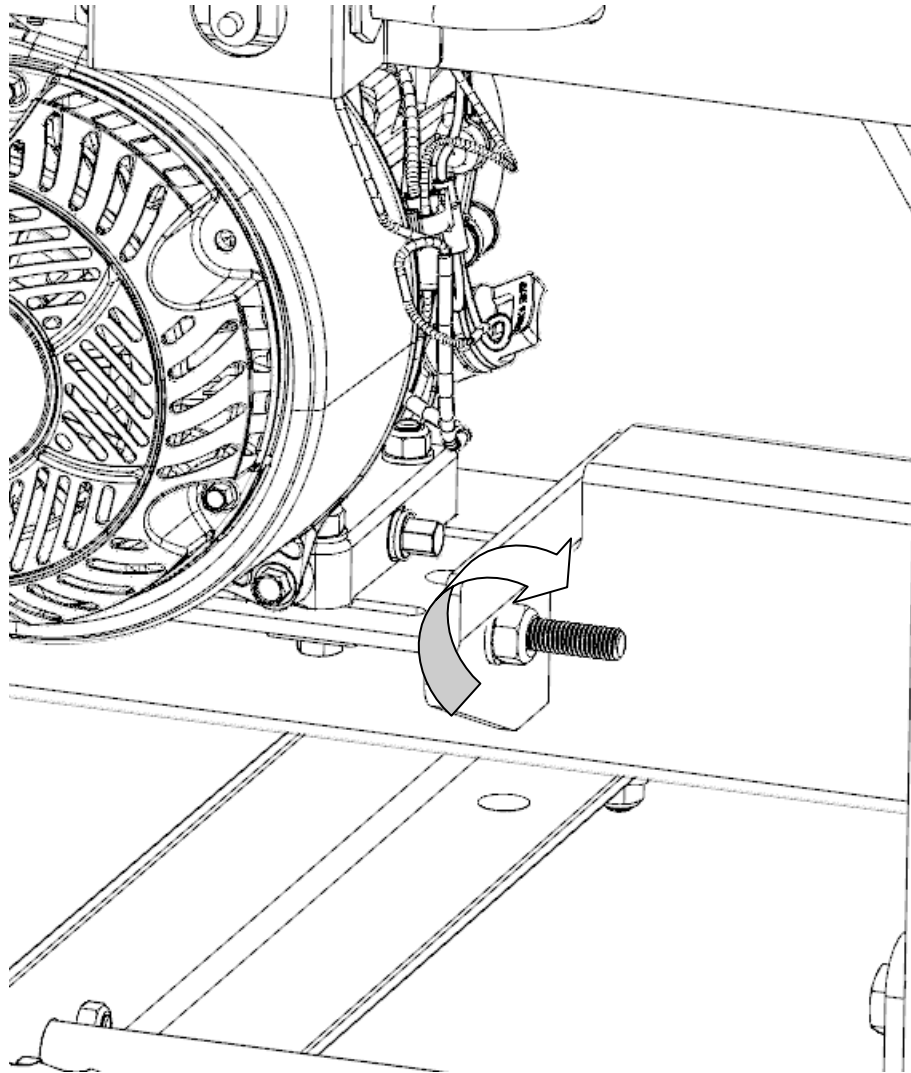
**As a safety precaution, remove the spark plug cap\*\***

To tighten the drive belt, start by loosening the four bolts that secure the engine to the engine mount.



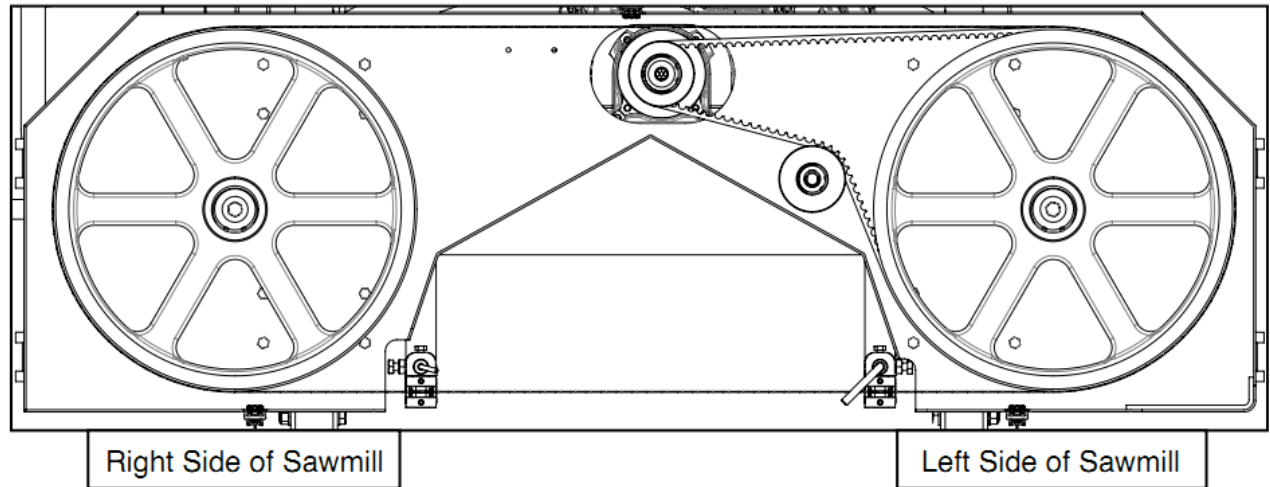
Now that the engine is free to slide on the engine mounting plate, turn the nut on the horizontal stud in the clockwise direction. This will pull the engine towards the stud and apply more tension on the belt. Do this step incrementally while checking the belt for proper deflection. It is also important to ensure that the engine remains perpendicular to the drive belt. Over tightening can cause the engine to twist on the mounting plate, resulting in belt alignment issues and premature wear. Once the desired belt tension is set, tighten the four engine bolts.

Alternatively, if the drive belt is too tight, the nut on the horizontal stud can be turned counter-clockwise.

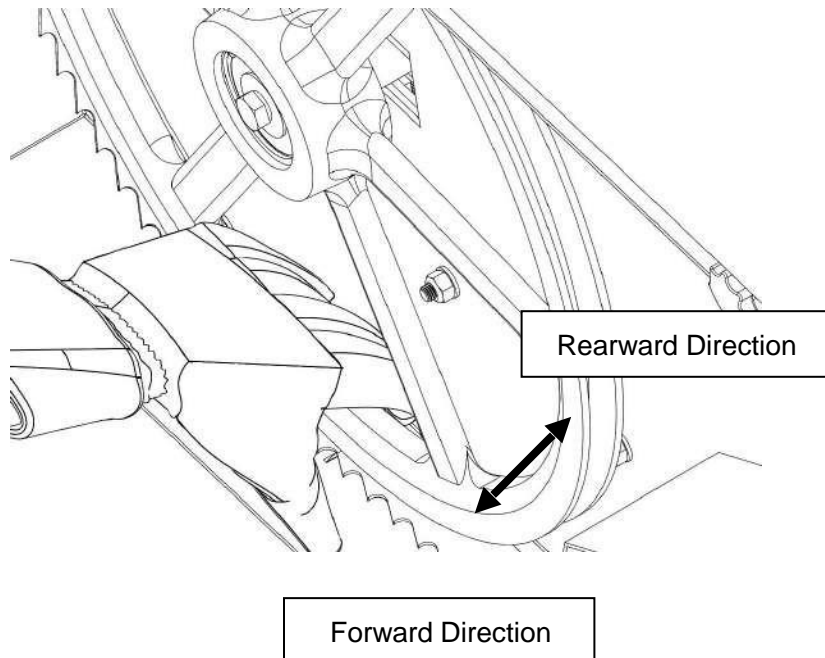


## **2. BLADE TRACKING**

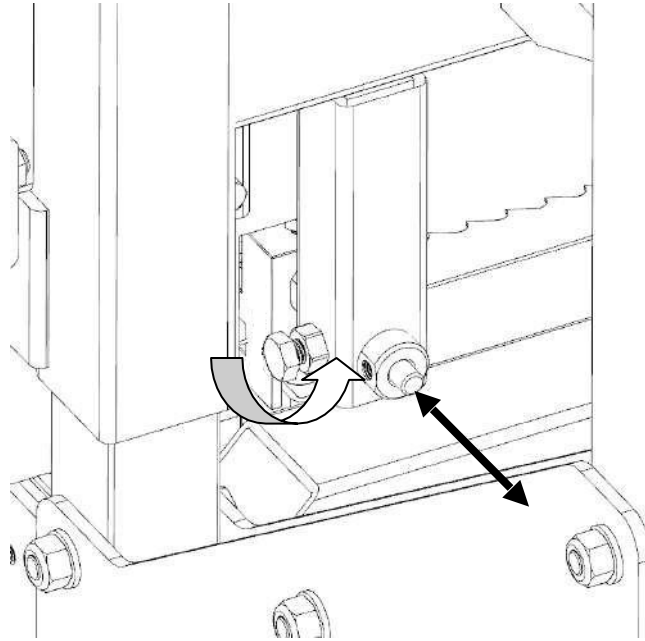
Never attempt to adjust the blade tracking with the engine running. As a safety precaution, remove the spark plug cap. It is also advised to wear gloves and safety glasses when working with the blade as it is extremely sharp.



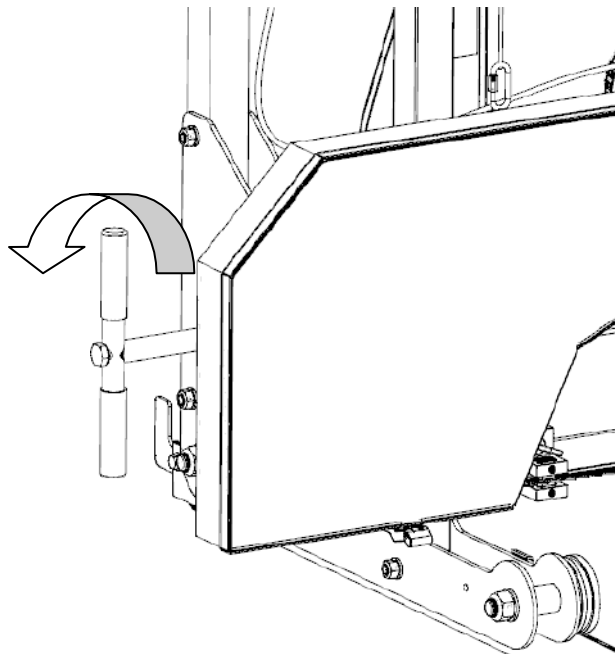
The blade should run with the same tooth to band wheel face distance on both sides. 3/8" (9mm) is ideal. The back of the blade will be flush with the back of the band wheel at this distance and is a quicker check than measuring with a tape measure. If an adjustment on either side is required, the steps below will detail this procedure.



Loosen the blade guide assembly bolt with a 16mm socket. The round shaft should now be free to slide rearward and out of the way. Perform this step on both guide assemblies. This will ensure that the guide bearings do not influence tracking of the blade while adjusting.

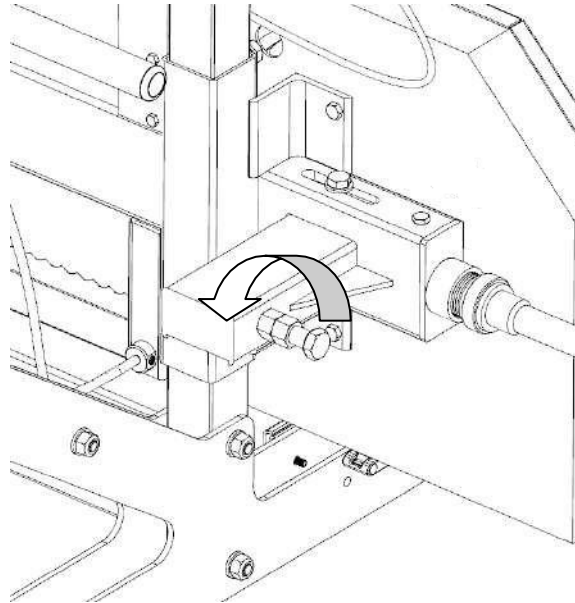


Take some tension off of the blade by turning the “T” handle in the counter-clockwise direction one full turn from full tension position.

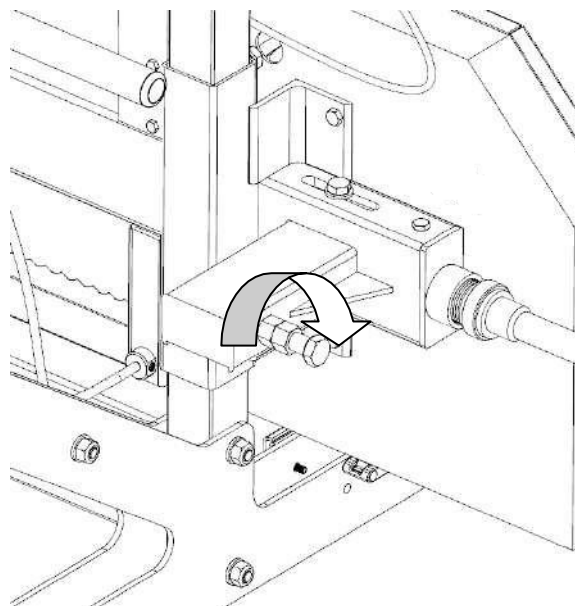


## **Adjusting The Right Hand Side**

Loosen the tracking alignment locking nut with a 24mm wrench or an adjustable wrench.

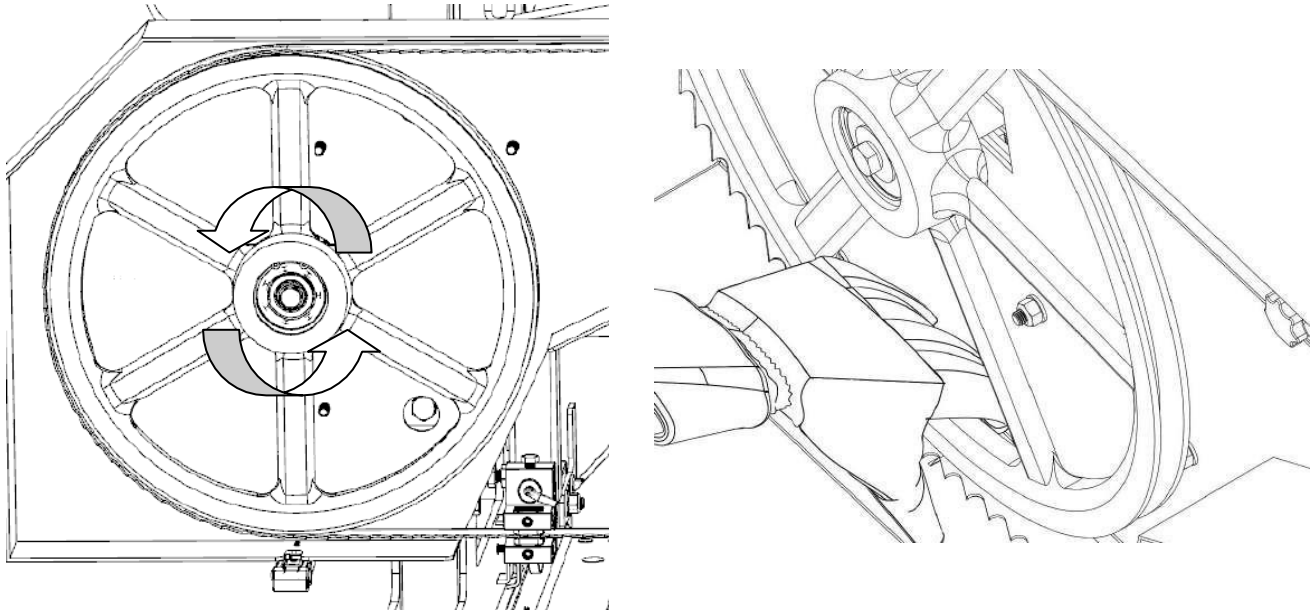


The alignment bolt can now be turned to change the angle of the band wheel and track the blade. To move the blade more rearward on the band wheel, this bolt will need to be turned clockwise. Alternatively, turning the bolt in the counter-clockwise direction would force the blade to run more forward on the band wheel. Turn the bolt a 1/2 turn and re-tension the blade to 25 ft-lbs (34 N-m).

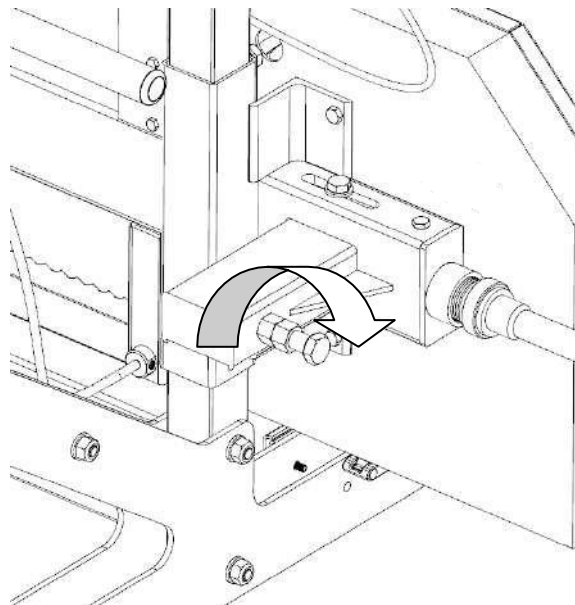




Wearing gloves, spin the band wheel with your hand and observe how the blade has changed tracking. Measure the distance again and repeat the above step to further compensate if required. The ideal measurement is 3/8" (9mm) or check for the back of the blade to be flush with the back of the band wheel.



Once satisfied with the measurement, tighten the locking nut clockwise.



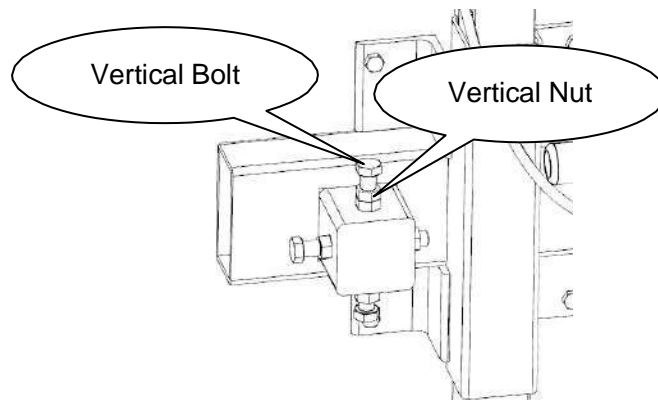


### Adjusting The Left Hand Side

To adjust the left side of the sawmill, again start by taking the tension off of the blade by turning the "T" handle one turn in the counter-clockwise direction. Using an 18mm wrench, loosen the "**vertical nut**" a ½ turn. Next, loosen the "**vertical bolt**" a ½ turn. This will take the clamping force off of the band wheel shaft caused by these two bolts and allow it to move freely in the following steps.

### Moving the Blade Forward

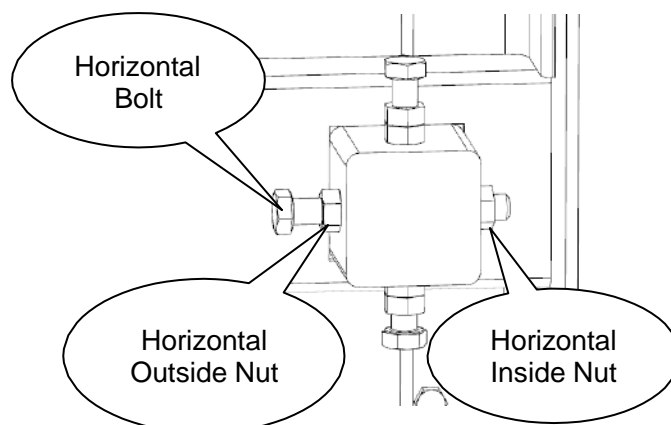
Using a wrench, hold the "**horizontal bolt**" stationary with a wrench and turn the "**horizontal inside nut**" counter-clockwise a ½ turn. Still holding the "**horizontal bolt**" stationary, turn the "**horizontal outside nut**" clockwise a ½ turn. This has now shifted the "**horizontal bolt**" and band wheel shaft, causing the blade to track more forward.



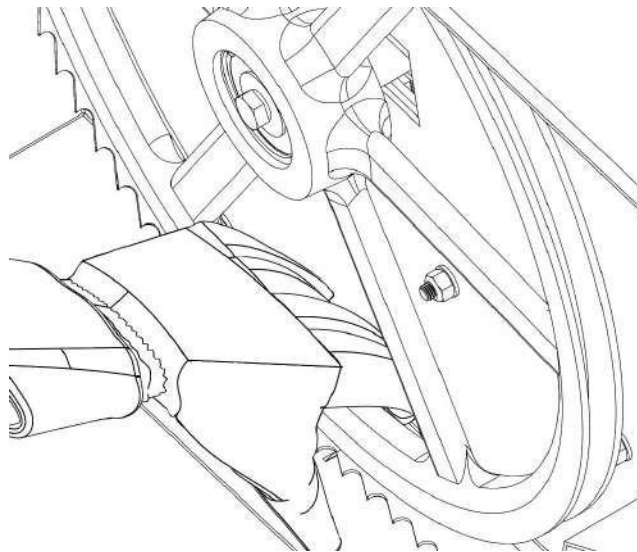
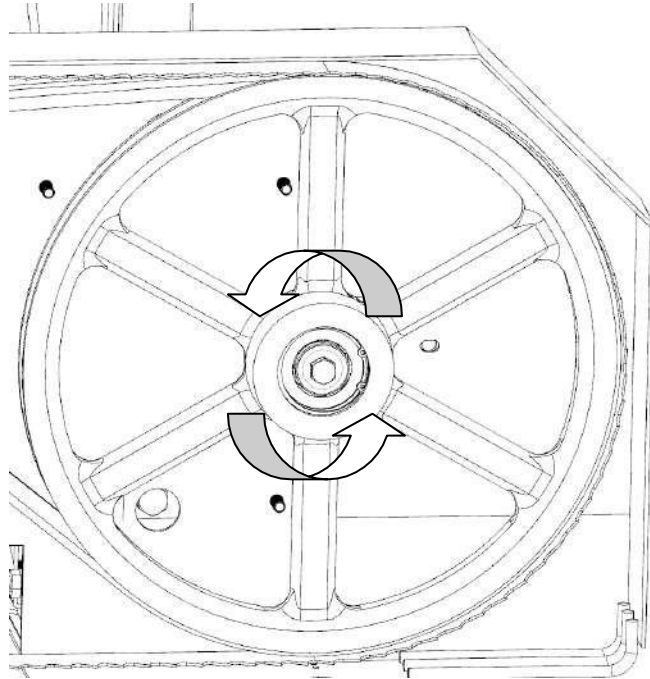
### Moving the Blade Rearward

Using a wrench, hold the "**horizontal bolt**" stationary with a wrench and turn the "**horizontal outside nut**" counter-clockwise a ½ turn. Still holding the "**horizontal bolt**" stationary, turn the "**horizontal inside nut**" clockwise a ½ turn. This step has now shifted the "**horizontal bolt**" and band wheel shaft, causing the blade to track more rearward.

Tighten the vertical bolts, then nuts to clamp the band wheel shaft back into vertical position.

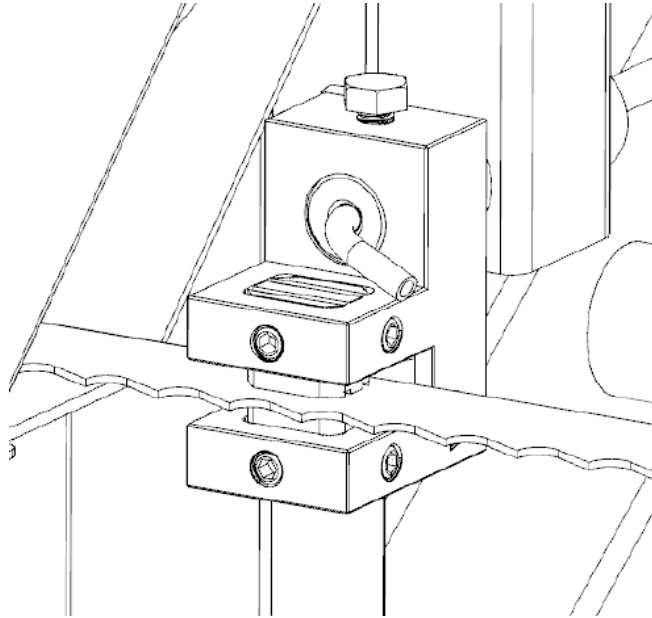


Re-tension the blade by turning the “T” handle a full turn in the clockwise direction (to achieve 25 ft-lbs (34 N-m)). Wearing gloves, spin the band wheel with your hand and observe how the blade has changed tracking. Measure the distance again and repeat the above step to further compensate if required. The ideal measurement is 3/8” (9mm) or check for the back of the blade to be flush with the back of the band wheel. Once the blade is tracking true, bring the blade guide assemblies back up to the blade. Keep a thick paper width (0.040” or 1mm) distance between the blade guide bearing and the back of the blade. More information on this can be found in the next section – **BLADE GUIDE ADJUSTMENT.**

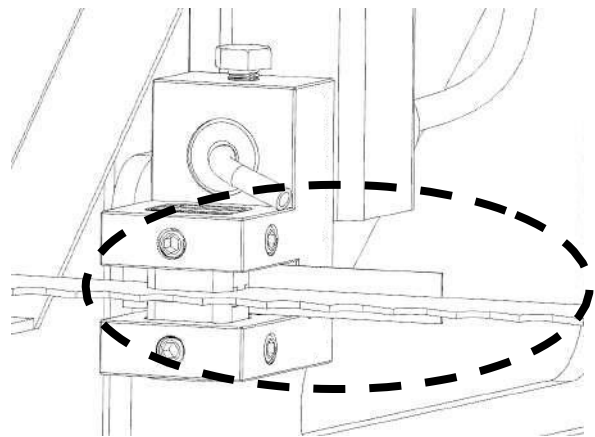
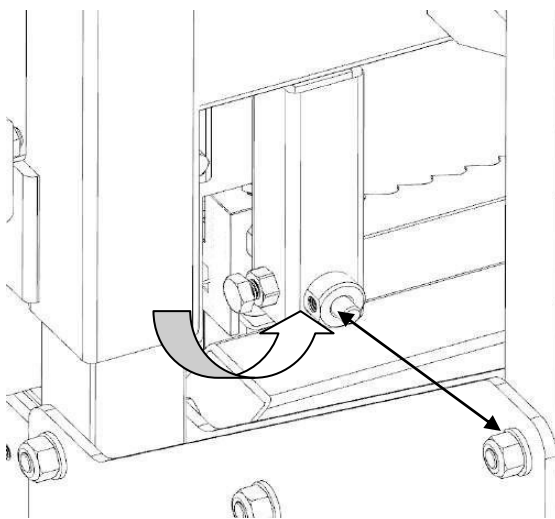


### **3. BLADE GUIDE ADJUSTMENT**

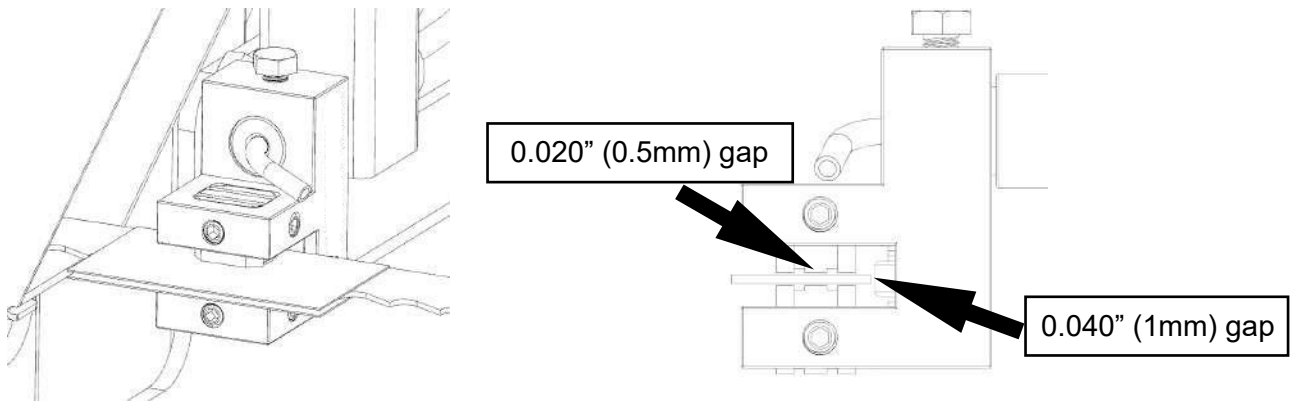
Never attempt to adjust the guide blocks or the guide bearing with the engine running. As a safety precaution, remove the spark plug cap. It is also advised to confirm that the blade is tracking properly before performing the below. Blade tracking is covered in the previous page. Using a 4mm allen key, loosen the blade guide blocks on both the left and right sides. They should be free to slide up and down.



Loosen the blade guide assembly bolt with a 16mm wrench. The round shaft should now be free to slide back and forth. Position it so that there is a thick paper width gap (0.040" or 1mm) between the bearing and the back of blade. Tighten the bolt against the flat on the shaft to secure assembly back in position.

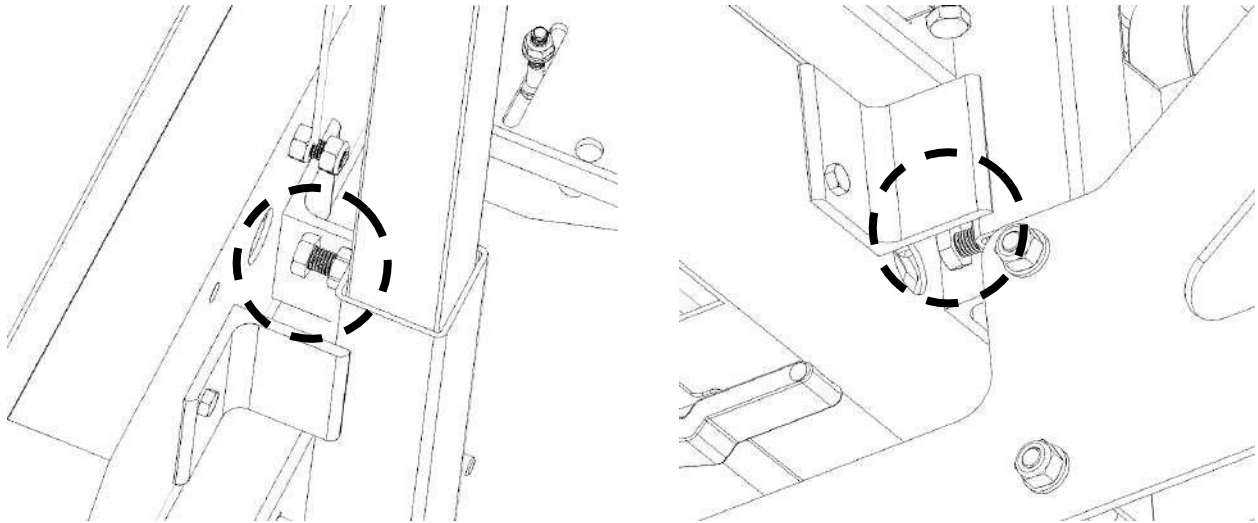


Using a thick piece of paper (0.020" or 0.5mm) in between the blade and both blade guide blocks, tighten the set screws.



#### **4. NYLON BOLT ADJUSTMENT**

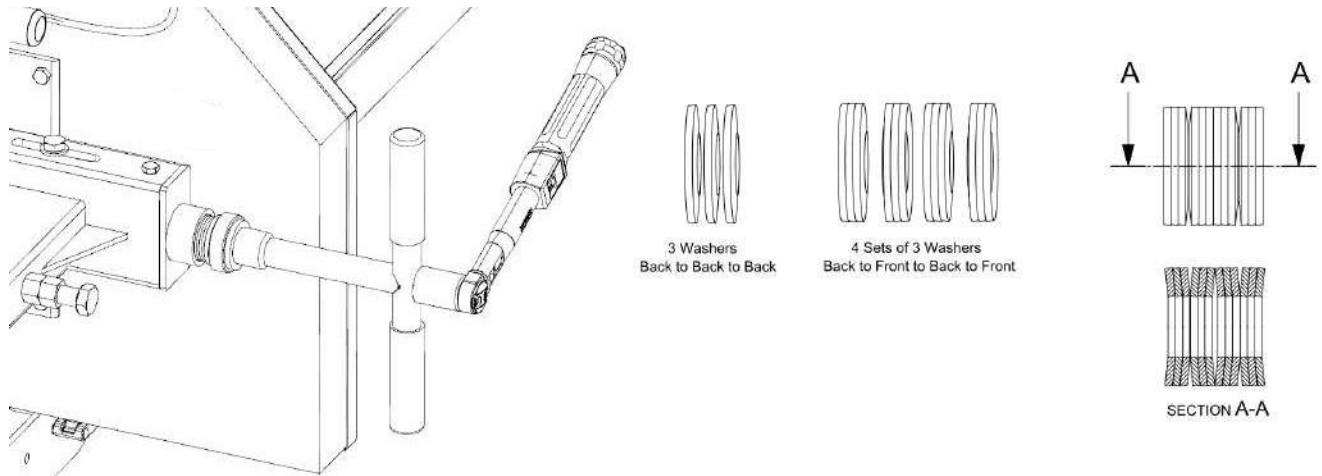
Tighten the 4 nylon bolts so the head is snug on the posts, but still free to slide up and down. There are 2 bolts on each side of the mill, one on top and one on the bottom.



# SAWMILL MAINTENANCE

## 1. BLADE TENSION

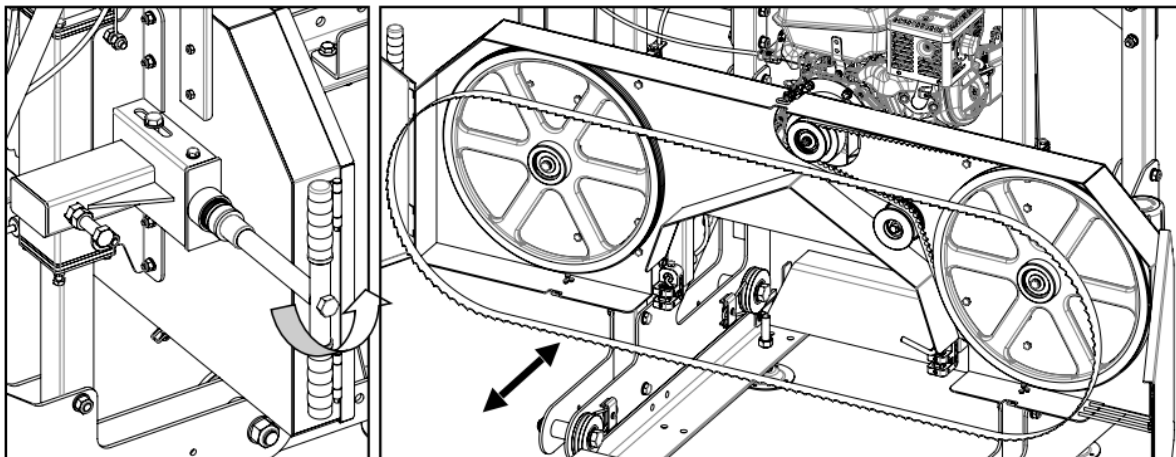
Proper blade tension is achieved when a 24mm socket is used on a torque wrench to tighten the “T” handle to 25 ft-lbs (34 N-m) torque. Make sure the spring washers are installed like the picture below.



## 2. CHANGING THE BLADE

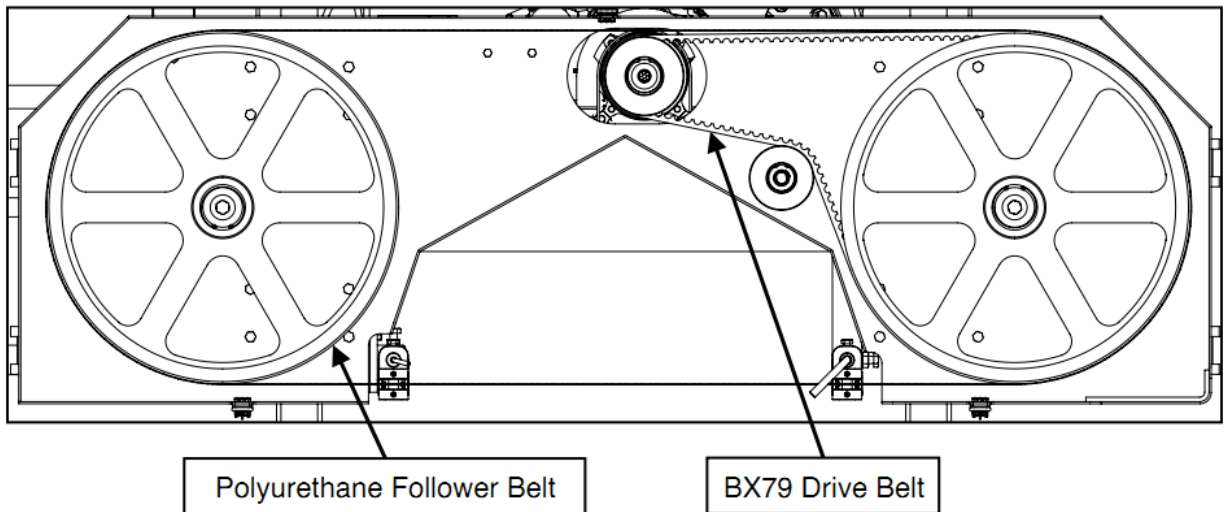
Never attempt to change the blade with the engine running. As a safety precaution, remove the spark plug cap. Gloves and safety glasses must be worn when changing the blade.

Remove the tension in the blade by turning the “T” handle in the counter-clockwise direction and then open the blade guard cover. The blade should now be loose and free to pull straight out the front. The new blade can now be installed, guards closed and proper blade tension set.

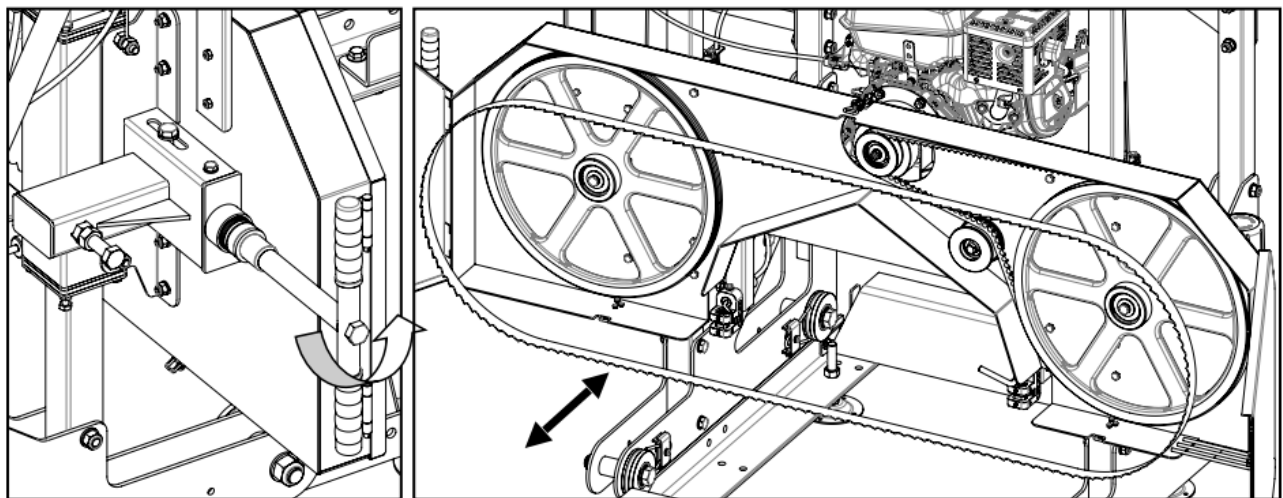


### **3. REPLACING BELTS**

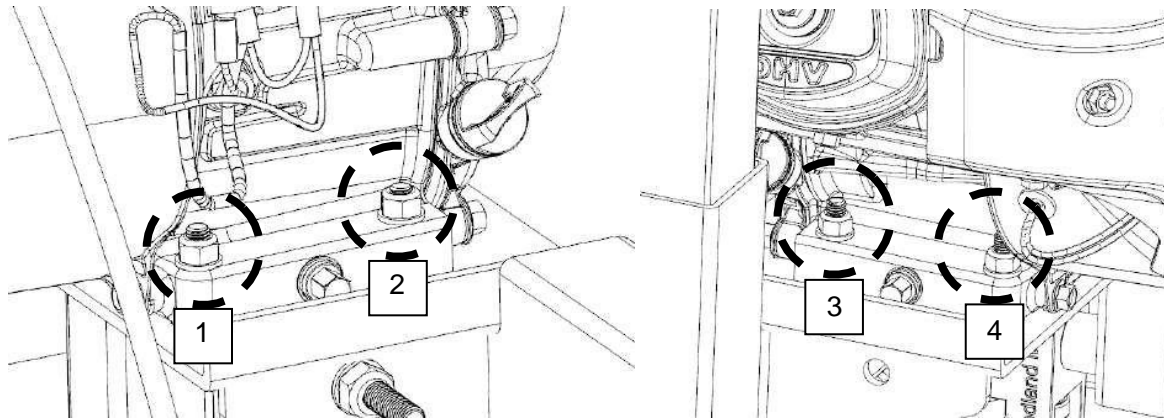
Never attempt to replace the belts with the engine running. As a safety precaution, remove the spark plug cap. Gloves and safety glasses must be worn when replacing the belts. There are two vee belts on the sawmill. It is recommended to use a BX79 cogged belt for the drive side and a Woodland Mills polyurethane follower belt.



Release the tension in the blade by turning the "T" handle in the counter-clockwise direction and then open the blade guard cover. The blade should now be loose and free to pull straight out the front.



To change the drive side belt, loosen the four bolts that secure the engine to the engine mount using wrenches.



Now that the engine is free to slide on the engine mounting plate, turn the 17mm nut on the horizontal stud in the counter-clockwise direction. This will allow the engine to move and will also take the tension off of the belt. The old belt can be removed and the new belt can be installed. Tension the new belt and refer to the **BELT TENSION** instructions described in the sawmill set up section of the manual.

The follower belt can now be changed by prying it off and installing the new one with the aid of slotted screw drivers. The blade can now be re-installed, guards closed and proper blade tension set.

***\*Note that blade tracking is likely to change and need adjusting when new belts are installed. Refer to "BLADE TRACKING" for more information.\****

# TROUBLESHOOTING

Problem / Issue	Possible Causes	Resolution Options
Producing wavy cuts.	<ol style="list-style-type: none"> <li>1. Inadequate blade tension.</li> <li>2. Improper blade guide set up.</li> <li>3. Improper blade tracking.</li> <li>4. Sap build up on blade.</li> <li>5. Dull blade.</li> <li>6. Pushing mill too quickly.</li> </ol>	<ol style="list-style-type: none"> <li>1. Tighten blade. Refer to page 38.</li> <li>2. Gap between guide blocks and blade are incorrect. Refer to page 36.</li> <li>3. Adjust blade tracking. Refer to page 30.</li> <li>4. Install new blade. Refer to page 38. Always use blade lubricant.</li> <li>5. Install new blade. Refer to page 38.</li> <li>6. Slow feed rate down and push head slower through log.</li> </ol>
Last board is tapered or narrow in middle.	<ol style="list-style-type: none"> <li>1. Tracks are not level.</li> </ol>	<ol style="list-style-type: none"> <li>1. Tracks need to be checked with level and adjusted to be square. They also need to be set up on firm, sturdy ground/base so deflection does not occur from logs or sawmill head.</li> </ol>
Blade dulls quickly.	<ol style="list-style-type: none"> <li>1. Logs are not clean.</li> <li>2. Foreign objects in log.</li> </ol>	<ol style="list-style-type: none"> <li>1. Logs may contain dirt or sand causing them to wear prematurely.</li> <li>2. Tree may contain nails, staples, old fencing etc.</li> </ol>
Blade comes off of band wheels.	<ol style="list-style-type: none"> <li>1. Inadequate blade tension.</li> <li>2. Improper blade guide set up.</li> <li>3. Improper blade tracking.</li> <li>4. Belts are worn.</li> <li>5. Dull blade.</li> <li>6. Pushing mill too quickly.</li> </ol>	<ol style="list-style-type: none"> <li>1. Tighten blade. Refer to page 38.</li> <li>2. Gap between guide blocks and blade are incorrect. Refer to page 36.</li> <li>3. Adjust blade tracking. Refer to page 30.</li> <li>4. Install new belts. Refer to page 39.</li> <li>5. Install new blade. Refer to page 38.</li> <li>6. Slow feed rate down and push head slower through log.</li> </ol>
Blades are breaking.	<ol style="list-style-type: none"> <li>1. Too many blade sharpenings.</li> <li>2. Inadequate blade tension.</li> <li>3. Improper blade guide set up.</li> <li>4. Improper blade tracking.</li> <li>5. Pushing mill too quickly.</li> </ol>	<ol style="list-style-type: none"> <li>1. Replace blade. Refer to page 38.</li> <li>2. Binding between guide blocks when blade is too loose. Tighten blade. Refer to page 38.</li> <li>3. Gap between guide blocks and blade are incorrect. Refer to page 36.</li> <li>4. Adjust blade tracking. Refer to page 30.</li> <li>5. Slow feed rate down and push head slower through log.</li> </ol>
Blade is slowing down or stopping when milling.	<ol style="list-style-type: none"> <li>1. Inadequate blade tension.</li> <li>2. Improper drive belt tension.</li> <li>3. Pushing mill too quickly.</li> </ol>	<ol style="list-style-type: none"> <li>1. Tighten blade. Refer to page 38.</li> <li>2. Belts are worn or too loose. Replace. Refer to page 39.</li> <li>3. Slow feed rate down and push head slower through log.</li> </ol>
Mill is not cutting/ cutting very slowly.	<ol style="list-style-type: none"> <li>1. Dull blade.</li> <li>2. Blade is on backwards.</li> </ol>	<ol style="list-style-type: none"> <li>1. Install new blade. Refer to page 38.</li> <li>2. Remove blade and flip it inside out. The teeth should be facing in the direction of the log supports.</li> </ol>
Mill is vibrating excessively.	<ol style="list-style-type: none"> <li>1. Log is not clamped securely.</li> <li>2. Belts are deformed.</li> <li>3. Band wheel bearing issue.</li> <li>4. Pushing mill too quickly.</li> <li>5. Loose bolts.</li> </ol>	<ol style="list-style-type: none"> <li>1. Ensure log is clamped firmly resting on log bunks and against log supports.</li> <li>2. Belts may have flats in them from leaving blade tension tight when not in use. Replace them. Refer to page 39.</li> <li>3. Inspect and replace the band wheel bearings if worn.</li> <li>4. Slow feed rate down when milling.</li> <li>5. Check all bolts to ensure they are tight.</li> </ol>



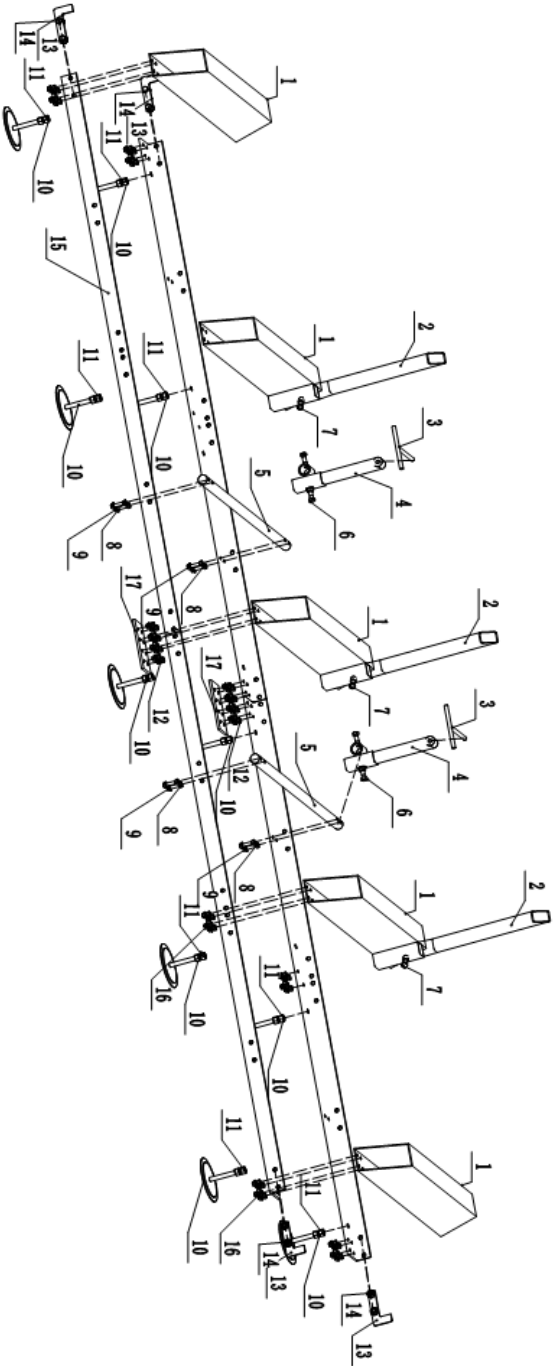
# PARTS LIST

No.	Description	Qty.
1	Wood base	5
2	wood clamping device base	3
3	Lock handle	2
4	Lock column	2
5	Locking slider	2
6	Bolt M12X40	4
7	Bolt M12X40	3
8	Bolt M10X60	8
9	Nut M10	8
10	Guide rail adjustment frame	10
11	Nut M14	20
12	Guide rail connecting bolt M10X40/nut M10	8
13	Guard plate	4
14	Guard plate Bolt M12X25/Nut M12	8
15	Guide rail	4
16	Wood base bolt M10X40/nut M10	20
17	guild rail connecting plate	2
18	Protecting cover door	2
19	Saw blade	1
20	Saw wheel locking bolt M10X25	2
21	Saw wheel locking flat washer	2
22	Circlip 62X1.5	2
23	Bearing 6206	4
24	Tensioner bolt M8X25	1
25	Tensioner flat washer	1
26	B type V-belt 2032	1
27	Saw wheel	2
28	Protecting cover lock	2
29	Saw wheel bracket shaft	2
30	Saw blade guide frame	2
31	Saw blade guard frame	1
32	Main body protection cover	1
33	Protection cover hinge	4
34	Driving wheel	1
35	Ruler	1
36	Ruler base	1
37	Engine	1
38	Stroke switch/model KM02	1
39	Tensioner	1
40	Main part rear guard	1
41	Rear guard lock bolt M10X80/nut M10	8
42	Lifting wheel	10
43	Lifting wheel main part	1
44	Lifting frame lock handle	1
45	Lifting frame handle	1
46	Main part front guard	1
47	Main part column	2

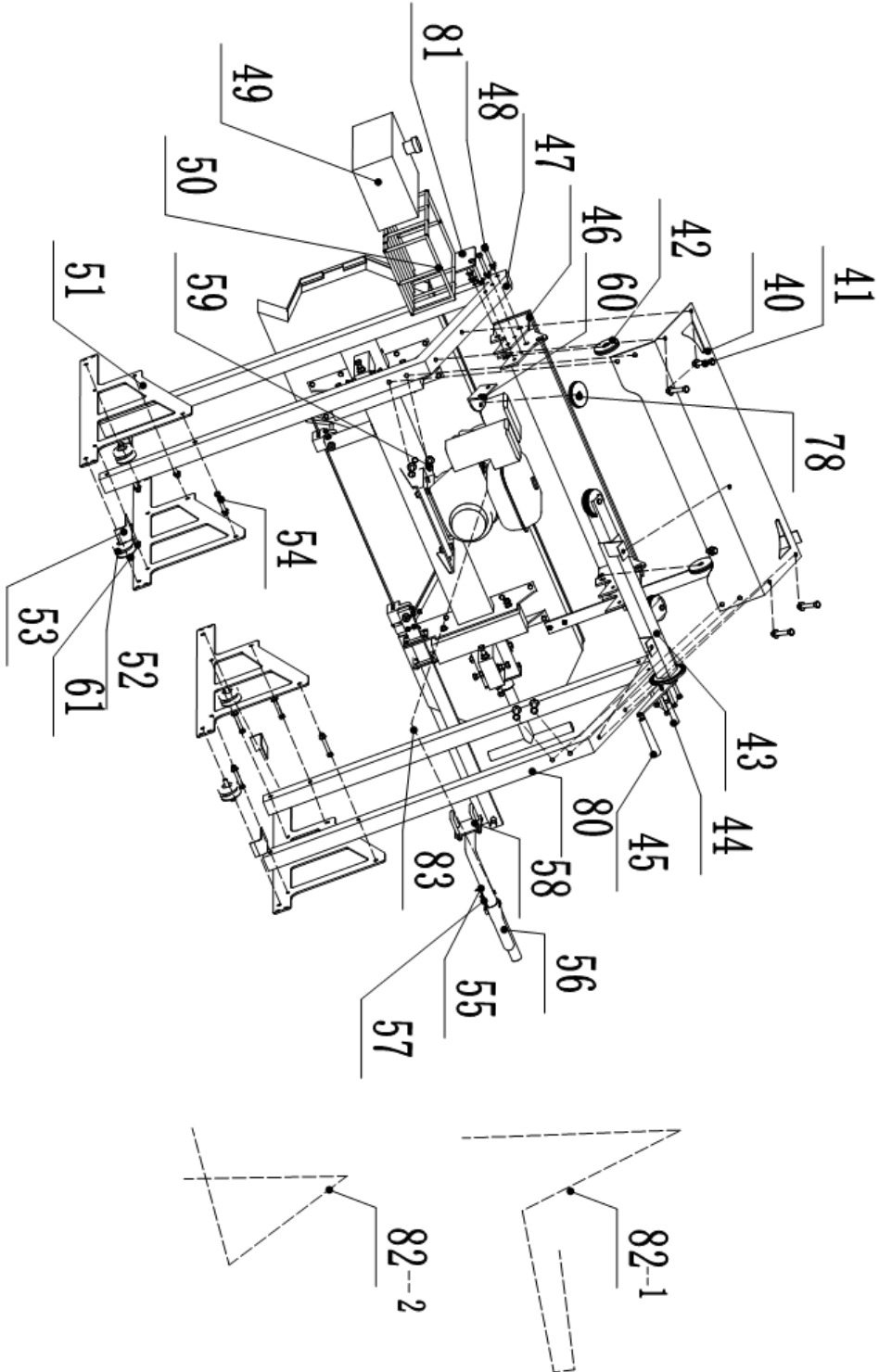
# PARTS LIST

No.	Description	Qty.
48	front guard lock bolt M12X80	4
48.1	front guard lock bolt M12X100	2
48.2	front guard lock bolt M10X80/ nut M10	8
48.3	front guard lock nut M12	8
49	Water tank	1
50	Water tank rack	1
51	Wheel frame	4
52	Guide wheel	4
53	Guid wheel guard plate	4
54	Below fixing frame lock bolt M12X80/nut M12	8
55	Push handle	1
56	Throttle handle	1
57	spring	1
58	Fixed U frame 50X70	2
59	Rear guard plate lock bolt M10X75/nut M10	7
60	Lifting guide wheel fixing frame	1
61	Guide wheel shaft bolt M12X75/nut M12	4
62	Saw blade lock handle	1
63	Thrust bearing 51104	1
64	Spring	1
65	Saw blade tightening lock block	1
66	Retractable rod	1
67	Adjustable protection cover	1
68	Retractable frame plate	1
69	Retractable guide sleeve	2
70	Saw blade lock block	4
71	Saw blade guide bearing 628	2
72	Saw blade support shaft	2
73	Column guide sleeve	4
74	Guide sleeve tube	2
75	Retractable rod handle	1
76	Guide sleeve shaft	4
77	Retractable saw frame bolt M8X25/nut M8	8
78	Guide wheel	10
79	Brush	2
80	Rear column80-1,80-2	2
81	Water tank bolt M8X15	2
82	Oil rope	2
83	Throttle cable	1
84	Ruler boltM6X15	4

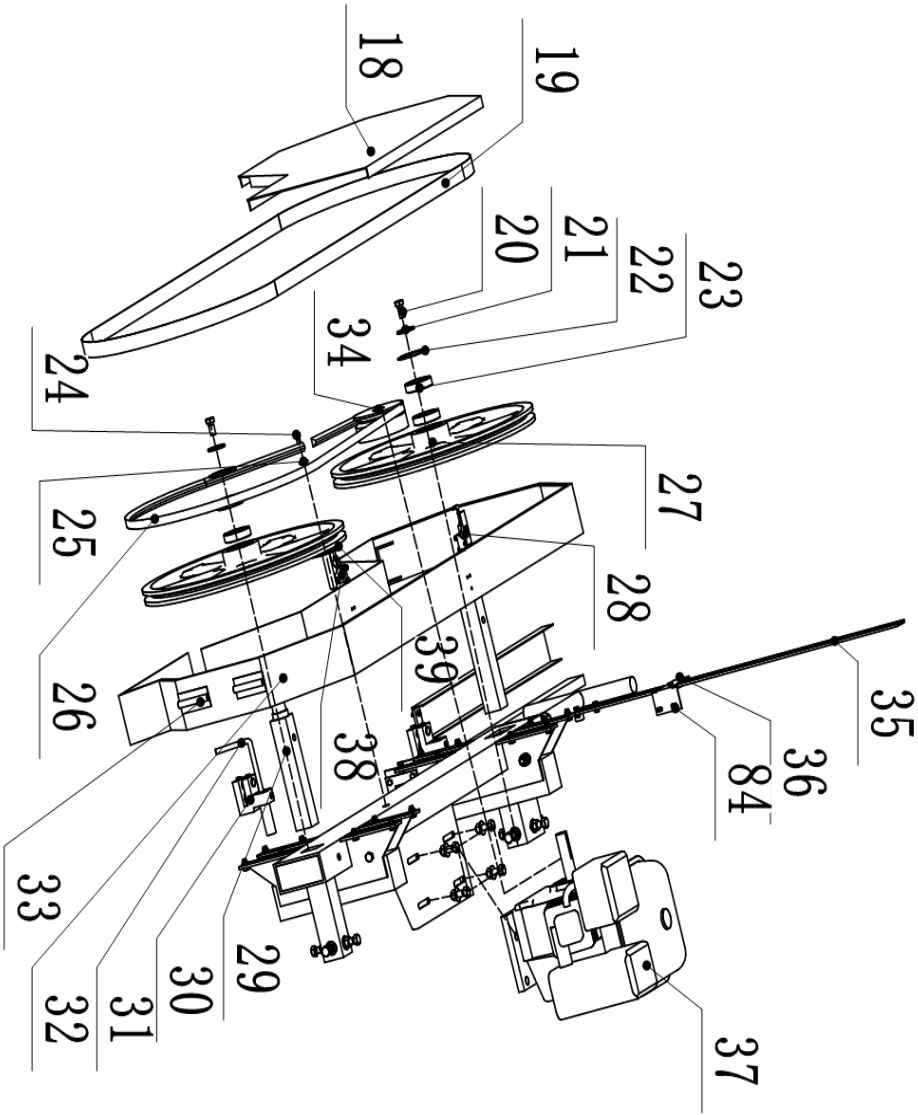
DIAGRAM



DIAGRAM



DIAGRAM



# DIAGRAM

